

DESKLINE® Desk panels/controls

Installation and operating guide



Contents

Preface	3
Important safety information	4
Informations importantes en matière de sécurité.....	5
Declaration of Conformity.....	6
Manufacturer's declaration.....	9
The DESKLINE® system	10
Warranty	10
Overview of the DESKLINE® desk panels/controls.....	11
Anti-collision.....	12
Gyroscope.....	12
Installation	14
DPA.....	14
DPB	15
DPF	16
DPF without anti-collision sensor	16
DPF with built-in anti-collision sensor.....	17
DPH.....	18
DP1CS.....	19
DPT	20
Operation	21
DPA/DPB.....	21
DPF without display	21
DPF1K, DPF2K and DPF3K	21
DPF1M	21
DPF with display	22
DPF1D	22
DPF1C	22
DPF4T	23
Other functions.....	24
DP1CS.....	25
DPH.....	27
DPT	27
BP10	29
Battery safety information for end users.....	32
Maintenance.....	36
Troubleshooting.....	37
Error codes.....	37
Repair and disposal.....	38
Disposal of batteries	38
Contacts.....	39

Preface

Dear User,

We are delighted that you have chosen a LINAK® product.

LINAK systems are high-tech products based on many years of experience in the manufacture and development of actuators, lifting columns, desk frames, electric control boxes, controls, batteries, accessories and chargers.

This User Manual does not address the end user. It is intended as a source of information for the equipment or system manufacturer only, and it will tell you how to install, use and maintain your LINAK electronics. The manufacturer of the end product has the responsibility to provide a User Manual, where relevant safety information from this manual is passed on to the end user.

We are convinced that your LINAK product/system will give you many years of problem-free operation.

Before our products leave the factory, they undergo both function and quality testing. Should you, nevertheless, experience problems with your product/system, you are always welcome to contact your supplier.

LINAK subsidiaries and some distributors situated all over the world have authorised service centres, which are always ready to help you. Locate your local contact information on the back page.

LINAK provides a warranty on all products, see [Warranty](#).

This warranty, however, is subject to correct use in accordance with the specifications, maintenance being done correctly, and any repairs being carried out at a service centre, which is authorised to repair LINAK products.

Changes in installation and use of LINAK systems can affect their operation and durability. The products may only be opened by authorised personnel.

This User Manual has been written based on the present technical knowledge. LINAK reserves the right to carry out technical modifications and keeps the associated information updated.

LINAK A/S

Important safety information

Safe use of the system is possible only when this document is read completely and the instructions contained are strictly observed.

Failure to comply with instructions marked with the "NOTICE" symbol may result in serious damage to the system or one of its components.

Read all instructions before using this product.

Important safety information on LINAK® products can be found under the following heading(s):



DANGER

Failure to comply with these instructions will result in severe personal injury.



WARNING

Failure to comply with these instructions may result in severe personal injury.



CAUTION

Failure to comply with these instructions can result in minor personal injury.



NOTICE

Failure to comply with these instructions can result in property damage.

READ AND SAVE THESE INSTRUCTIONS

Informations importantes en matière de sécurité

Une utilisation sûre du système n'est possible que lorsque ce document est lu dans son intégralité et que les instructions qu'il contient sont strictement respectées.

Le non-respect des instructions marquées du symbole "AVIS" peut entraîner de graves dommages au système ou à l'un de ses composants.

Lisez toutes les instructions avant d'utiliser ce produit.

Des informations de sécurité importantes sur les produits LINAK® sont disponibles dans la ou les rubriques suivantes :



DANGER

Le non-respect de ces instructions entraînera des blessures graves.



AVERTISSEMENT

Le non-respect de ces instructions peut entraîner des blessures graves.



ATTENTION

Le non-respect de ces instructions peut entraîner des blessures corporelles légères.



AVIS

Le non-respect de ces instructions peut entraîner des dommages matériels.

LIRE ET CONSERVER CES INSTRUCTIONS

Declaration of Conformity



EU DECLARATION OF CONFORMITY

LINAK A/S
Smedevænget 8
DK - 6430 Nordborg

hereby declares under our sole responsibility that LINAK DESKLINE® Actuator System, model: **CBD6S**, for use in elevation tables, composed of:

Control Box(s) CBD6Sa000b0A-c09,
(Where -a: can be P, C or H, -b: can be 2, 3 or 4 and -c: can be 0 or 7)

together with an optional combination of:

Linear Actuator(s) **LA31**: 31abcH-defff50S, (Where -a: can be 1, 3, 6 or 7; - b can be from 1 to 8, or A or B; - c can be from 0 to 4; - d can be 0 or 1; - e can be 0 or 1; - fff can be max 500)

Built in actuator(s) **DB5, DB6, DB14**: DBabbcdefghhhiii, (Where: - a: can be 5, 6 or 14; - b: can be 0, 1, 3, 4 or 9; - c: can be 0, 1, B, L or S; - d: can be 0, 1 or 2; - e: can be 0, A, B or X; - f: can be 0, or A; - g: can be from 0, M, S, E, T or V; - hhh: can be from 000 to 675; - iii: can be from 000 to 630);

Lifting Column(s) **Standard columns**: DLabcdeffghhhiii, (Where: - a: can be 1A, 4S, 5, 6, from 8 to 12, from 14 to 21; - b: can be 0, 1, 2, 3, 4 or 5; - c: can be 0, A, B, D, W or X; - d: can be 0, 1, L, R or X; - e: can be A, B, D or X; - f: can be 0, N, M, P or x; - g: can be 0, E, T or V; - hhh: can be from 600 to 1100; - iii: can be from 000 to 785);
DL12: DL12abcdeffggghhh (where - a can be A or B; - b can be 0 or E; -c can be 0, L, R or X; - d can be A, B, D or X; - e can be 0 or M; - f can be 0 or E; - ggg can be max 1100; - hhh can be max 785)
DL7: DL73a0b00470645 (where - a can be 0 or R; - b can be A, B, C or D)
DL2: DL2abCdefffggg (where - a can be 3, 6 or 7; - b can be from 0 to 3; - c can be A or B; - d can be 0, F or G; -e can be from 0 to 7; -fff can be from 300 to 500; -ggg can be from 445 to 655)
DF2L: DF2La0000bcP0dddeee (Where -a: can be 05, 06, 18, 19; -b can be 0, V, H; -c can be A, B, D; -ddd can be from 500 to 665; eee can be from 475 to 602)
BASELIFT: BASE1000A0F100100
LC1: LC1aaaxxbbbb0cd0eee0Gf4+g (where -a can be 060 or 100; -xxx can be 200 to 665; -bbbb can be numbers or letters; -c can be 0, H or M; -d can be A, B or C; -eee can be from 275 to 560; -f can be 0, 1 or 2; and -g can be A or E.
EXPERIENCE™ columns: DLaabccdefffgghijklmnopppqq, (Where: - aa: can be 05, 06, 10, 11, 18, 19, 20, 21; - b: can be F; - cc: can be 30; - d: can be 0; - e: can be 0; - ffff: can be any number or letter; - g: can be 0 or X; - h: can be 0 or X; - i: can be P; - j: can be 0; -k: can be 0 or 1; -l: can be 0 or Z; -m: can be 0; -n: can be 0; -o: can be 0 or E; -pppp: can be from 0278 to 1100; and -qqq: can be from 200 to 785.
DL14T: DL14T00X0E500630, where X can be B or D.

Desk Panel(s) DPA, DPB, DPH, DPF1K, DPF1M, DPF2K, DPF3K, DPF1C, DPF1D, DPF1U, DPF1W, DPF4T, DPG1K, DPG1M, DPG1B, DPG1C, DPT, DP1V01, DP1CS, DP1K, DP1U, DP2K, DP3K, DPN, DPWA, DPI-K, DPI-C

Accessories BLE2LIN (BLE2LIN002, BLE2LIN003), DESK SENSOR 1, USB2LIN, DCConnector, CHUSB, BA001, BP10BL

Complies with EMC Directive: **2014/30/EU** (*OJ L 96, 29.3.2014, p. 79–106*) according to following standards:
EN 61000-6-2:2005/AC:2005, EN 61000-6-3:2007/A1:2011/AC:2012
(and subsequent EN 61000-3-2:2014 and EN 61000-3-3:2013)

Complies with Low Voltage Directive **2014/35/EU** (*OJ L 96, 29.3.2014, p. 357–374*) according to the standard:
EN 60335-1:2012+AC:2014+A11:2014+A13:2017+A1:2019+A14:2019+A2:2019+A15:2021+A16:2023
EN 62233:2008 + AC:2008

Complies with Directive **2011/65/EU** of the European Parliament and of the Council of 8 June 2011 on the restriction of the use of certain hazardous substances in electrical and electronic equipment (*OJ L 174, 1.7.2011, p. 88–110*) and Directive **2015/863** (*OJ L 137, 4.6.2015, p. 10–12*) (amending Annex II to Directive 2011/65/EU) according to the standard:
EN IEC 63000:2018

Additionally, BA001 complies with Battery Regulation (EU) 2023/1542 Article 6.
And the applicable Desk Panels and Accessories complies with the Radio Equipment Directive **2014/53/EU** (*OJ L 153, 22.5.2014, p. 62–106*) according to the standards listed in the RED DoC for the individual radio products.

Where this product or system includes or is supplied with batteries, those batteries comply with the requirements of Regulation (EU) 2023/1542.

Other specification:

The system does also comply with the standard: EN 61000-6-2:2019 and EN 13849-1:2015 SRP/CS Cat. B, PL = b and SRESW PL = b, Note 1: Exempted CBD6S with SW03003007 printed on the label.

Nordborg, 2026-02-17

LINAK A/S

Dragan Macura

Regulatory Compliance Manager

Deskline and Homeline Segments

Authorized to compile the relevant technical documentation

Original Declaration 



EU DECLARATION OF CONFORMITY

LINAK A/S
Smedevænget 8
DK - 6430 Nordborg

hereby declares under our sole responsibility that LINAK Actuator System, model: **DLIC**, for use in elevation tables:

with main component (marked with CE):

Lifting Column with integrated control, DLIC (Controller, M): DLXXXXXXMXXXXXX

For columns: DL5, DL6, DL8, DL9, DL10, DL11, DL15, DL16, DL18, DL19, DL20, DL21

together with an optional combination of:

Passive Actuators, DLIC (Companion, S) DLXXXXXXSXXXXXX

For columns: DL5, DL6, DL8, DL9, DL10, DL11, DL15, DL16, DL18, DL19, DL20, DL21

And

Power Unit: SMPS006 (ASW0552-29020002B), SMPS001 (ASW0539-24020002A)

And

Control panel DPA, DPB, DPH, DP1K, DP1CS, DPT, RFRL, DPF1K, DPF1M, DPF1C, DPF1D, DPG1K, DPG1M, DPG1B, DPG1C, DPI-C, DPI-K

And

Accessory: DESK SENSOR 1

complies with the EMC Directive: **2014/30/EU** (OJ L 96, 29.3.2014, p. 79–106) according to following standard: EN 61000-6-1:2007, EN 61000-6-3:2007/A1:2011/AC:2012

complies with Low Voltage Directive **2006/95/EC** (OJ L 96, 29.3.2014, p. 357–374) according to the standards: EN 60335-1:2012 + AC:2014 + A11:2014 + A13:2017 + A1:2019 + A14:2019 + A2:2019 + A15:2021

complies with Directive **2011/65/EU** of the European Parliament and of the Council of 8 June 2011 on the restriction of the use of certain hazardous substances in electrical and electronic equipment (OJ L 174, 1.7.2011, p. 88–110) and Directive **2015/863** (OJ L 137, 4.6.2015, p. 10–12) (amending Annex II to Directive 2011/65/EU) according to the standard: EN IEC 63000:2018

Where this product or system includes or is supplied with batteries, those batteries comply with the requirements of Regulation (EU) 2023/1542.

Nordborg, 2025-12-18

LINAK A/S
Dragan Macura
Regulatory Compliance Manager
Deskline and Homeline Segments
Authorized to compile the relevant technical documentation

Original Declaration 

Manufacturer's declaration



DECLARATION OF INCORPORATION OF PARTLY COMPLETED MACHINERY

LINAK A/S
Smedevænget 8
DK - 6430 Nordborg

Herewith declares that LINAK DESKLINE® products as characterized by the following models and types:

Control Boxes: CBD6Sa000b0A-c09 (Where -a: can be P, C or H, -b: can be 2, 3 or 4 and -c: can be 0 or 7)

Linear Actuators: LA31

Built in actuator(s): DB5, DB6, DB14,

Lifting Columns: DL1A, DL4S, DL2, DL5, DL6, DL7, DL8, DL9, DL10, DL11, DL12, DL14, DL15, DL16, DL17, DL18, DL19, DL20, DL21, LC1

Desk Panels: DPA, DPB, DPH, DPF1K, DPF1M, DPF2K, DPF3K, DPF1C, DPF1D, DPF1U, DPF1W, DPF4T, DPG1K, DPG1M, DPG1B, DPG1C, DPT, DP1V01, DP1CS, DP1K, DP1U, DP2K, DP3K, DPN, DPWA, DPI-K, DPI-C

Accessories: BLE2LIN002, BLE2LIN003, DESK SENSOR 1, USB2LIN, DCConnector, BA001

complies with the following parts of the Machinery Directive 2006/42/EC, ANNEX I, *Essential health and safety requirements relating to the design and construction of machinery*:

- 1.1.2 a) Special use*
- 1.1.2 b) Selection of the most appropriate methods*
- 1.1.2 c) Foreseeable misuse*
- 1.1.2 d) Operator constrains due to the use of personal protective equipment*
- 1.1.3 Materials and products*
- 1.2.1 Safety and reliability of control systems
- 1.2.2 Control devices. Shape, readability, overview*
- 1.2.3 Starting*
- 1.2.4 Stopping*
- 1.5.1 Electricity supply
- 1.5.10 Radiation. EMC. Emission of electromagnetic radiation, X-rays, γ -rays*
- 1.5.11 External radiation*

*need to be further evaluated in the end product

We confirm that prior to market introduction the relevant technical documentation is compiled in accordance with part B of Annex VII and the assembly instruction pursuant to Annex VI.

This documentation or part hereof will be transmitted by post or electronically to a reasoned request by the national authorities.

The products mentioned in this document are to be combined for use in height adjustable furniture.

This partly completed machinery must not be put into service until the final machinery into which it is to be incorporated has been declared in conformity with the provisions of the Machinery Directive 2006/42/EC where appropriate.

Nordborg, 2024-02-21

LINAK A/S
Dragan Macura
Regulatory Compliance Manager
Deskline and Homeline Segments
Authorized to compile the relevant technical documentation

Original Declaration

The DESKLINE® system

This system is a DESKLINE system developed for desks and for indoor use in offices.

Do not use it in other environments that have to be cleaned with aggressive detergents.

Warranty

The warranty terms for DESKLINE products are described in this warranty paper:

<https://cdn.linak.com/-/media/files/warranty/warranty-paper-deskline-eng.pdf>



This document describes the desk panels/controls only. For more information on the DESKLINE® system, please refer to the relevant DESKLIFT™ column User Manual which is available here: <https://www.linak.com/user-manuals/deskline/>.



The DESKLINE® Desk Panels DPG and DPI can be paired with an app for a more active use of the desk's adjustment function.

User Manuals for the DPG and the DPI products are available on our website:

<https://www.linak.com/user-manuals/deskline/>

Use the BLE2LIN in an environment with temperature between -10 and +50 °C. Otherwise, the BLE2LIN may be damaged. It can be operated at altitudes up to 2000 m.

Hereby, LINA K A/S declares that the radio equipment type BLE2LIN is compliant with Directive 2014/53/EU.



The equipment is a Bluetooth® device powered by 9 V DC or 18 V input charged by an RJ45 port.

Operating Frequency Range:
Bluetooth® 2402 - 2480 MHz

The maximum RF Output Power:
-9.81 dBm EIRP

The Bluetooth® word mark and logos are registered trademarks owned by Bluetooth SIG Inc. and any use of such marks and logos by LINA K A/S is under license.

Overview of the DESKLINE® desk panels/controls

The desk panel/control is used to operate the DESKLINE system. The desk panel/control product range consists of number of desk panels with different functions. This document covers the following products:

For drive of one reference; without memory; with or without display:



DPA



DPB



DPF1K



DPF1D



DPH



BP11 TV

For drive of one reference; with memory; with or without display:



DP1CS



DPT



DPF1C



DPF1M

For drive of more references; with or without memory; with or without display:



DPF2K



DPF3K



DPF4T



BP12 TV

For connection of the BP10 TV series to the Desk Connect™ app:

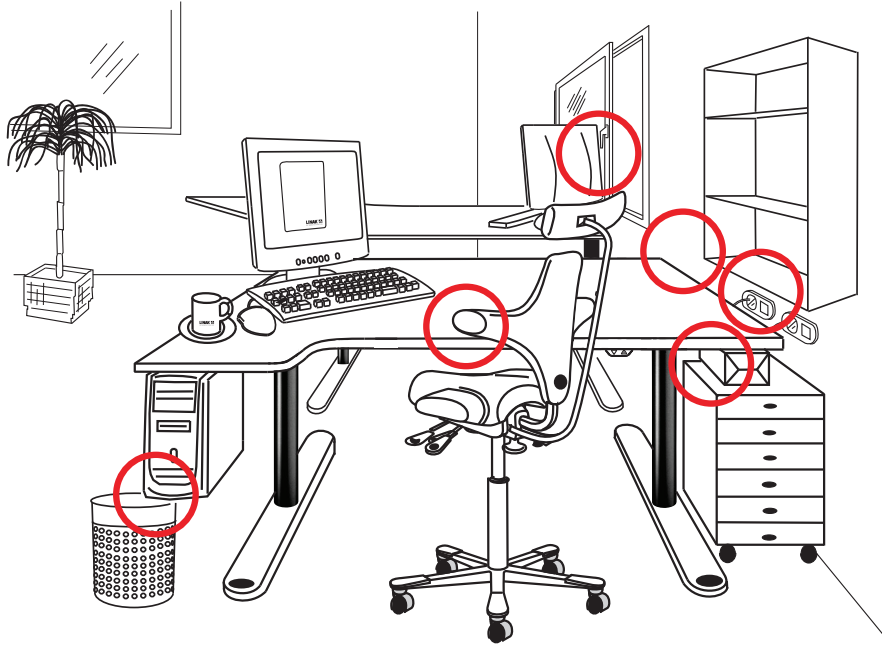


Bluetooth® Adapter
BLE2LIN002

For safety instructions, see the User Manual for the relevant DESKLINE® system. All User Manuals are available on our website: <https://www.linak.com/user-manuals/deskline/>

Anti-collision

When using height-adjustable desks there is always a risk of driving the desk into an object – solid or soft. This could cause damage to the desk or the object or – if the desk tilts – damage to computers, monitors, and other objects placed on or close to the desk.



There are various ways to protect the desk from being damaged when driven into such objects. This feature is called an anti-collision system. To a certain extent, this feature also increases the personal safety, but it does not comply with the legislation covering personal safety.

The way to minimise the damage to a desk is fast detection of a collision with an object followed by reverse driving of the desk.

Gyroscope

The gyroscopic sensor reacts on even the smallest tilting in any direction with respect to its position at the beginning of the desk drive. When the desk runs into an object, the tabletop will start tilting and the gyroscopic sensor detects a collision.



DPI



DPF



DS1

Troubleshooting

The gyroscopic sensor is very sensitive and may cause false triggering if not mounted correctly.

To achieve the best possible performance of the gyroscopic sensor, please observe the following:

DS1:

Install the DS1 on the tabletop via either a CBD6S or a T-splitter.

Desk panels:

Mount the desk panel on a surface that is flat and without any bulges.

Mount the desk panel on a hard surface.

Do not place soft material between the tabletop surface and the desk panel.

In case of false triggering, please check this list:

- Make sure that the control box or T-splitter is fixed securely to the table (only relevant for DS1).
- Make sure the cables connected next to the DS1 in the control box or T-splitter are fastened thoroughly and **cannot** touch the DS1.
- If the desk is unstable, it may result in false triggering. Make sure the desk is stable and cannot tilt back and forth by adjusting the screws under the feet.
- Make sure that no objects, such as cables or furniture under the desk, can stop the driving up or down of the desk.
- If none of the above helps:
 - unplug the DS1/desk panel
 - wait 10 seconds
 - plug the DS1/desk panel back in

Installation

DPA

We recommend pre-drilling the holes for the DPA to ensure the same aligned position for all desks.

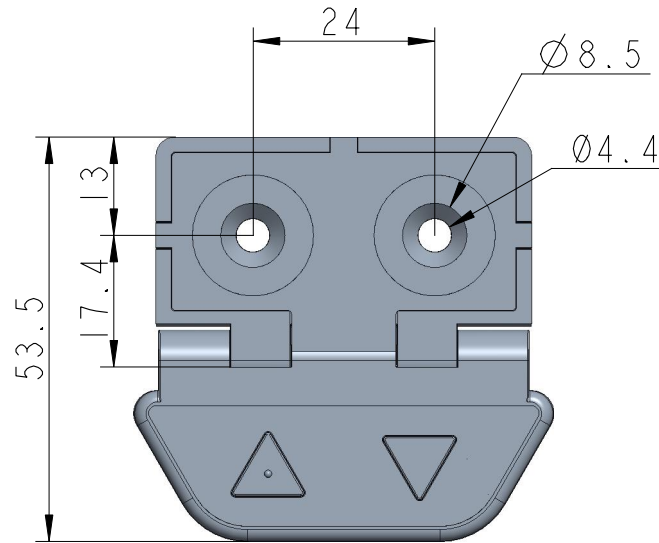


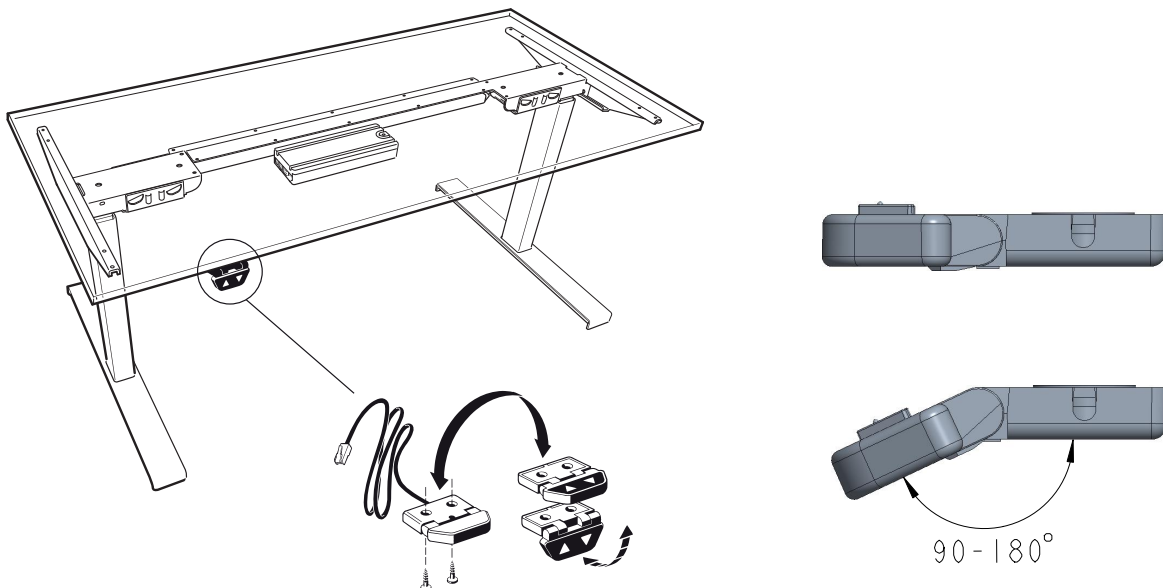
Figure 1 Hole pattern of the DPA (mm)

- Predrill holes.



If holes are not predrilled, a bulge of wood might develop between the tabletop and the desk panel – which causes the desk panel not to be tightened sufficiently to the tabletop.

- Mount the desk panel on the tabletop so that the keys are either facing upwards or outwards.



Use 2 x Ø4 mm countersunk screws. Recommended length: 16 mm.
The mounting screws must be fastened with a max. torque of 1 Nm.

Alternatively, the desk panel can be mounted flat under the tabletop with the keys facing downwards.

DPB

We recommend pre-drilling the holes for the DPB to ensure the same aligned position for all desks.

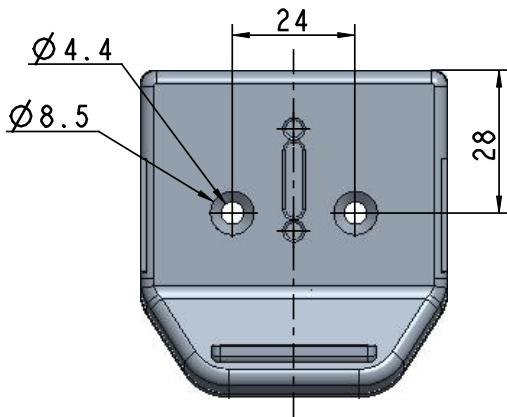


Figure 2 Hole pattern of the DPB (mm)

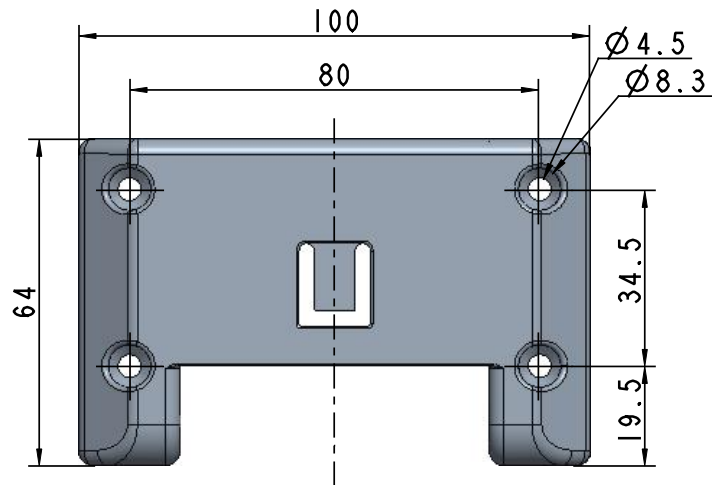


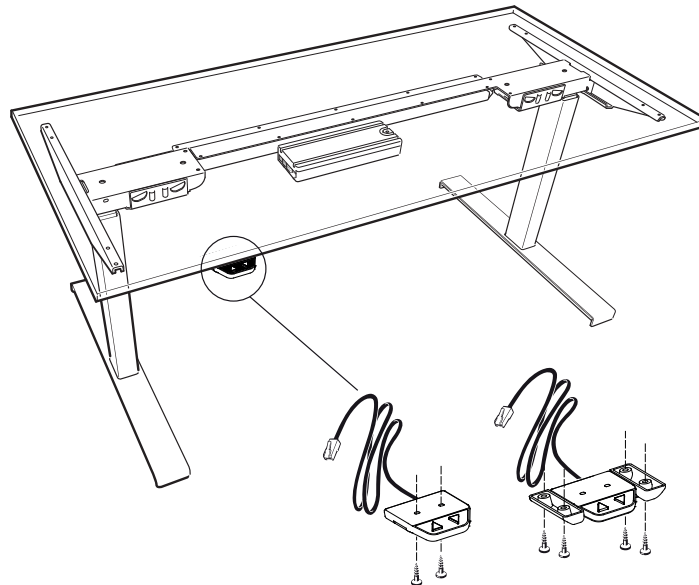
Figure 3 Hole pattern of the DPB drawer (mm)

- Pre-drill holes.



If holes are not predrilled, a bulge of wood might develop between the tabletop and the desk panel – which causes the desk panel not to be tightened sufficiently to the tabletop.

- Mount the desk panel on the tabletop so that the keys are facing upwards.



Use 2 x $\varnothing 4$ mm countersunk screws. Recommended length: 16 mm.
The mounting screws must be fastened with a max. torque of 1 Nm.

Alternatively, the DPB can be placed in a drawer mounted under the tabletop and be hidden under the desk when not in use.

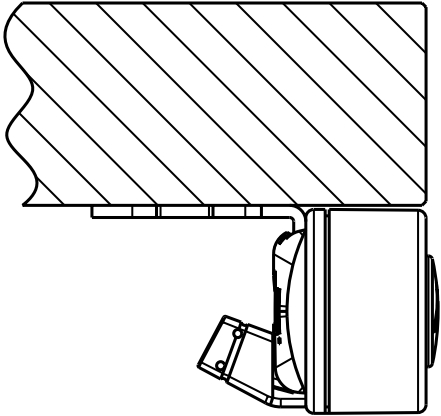
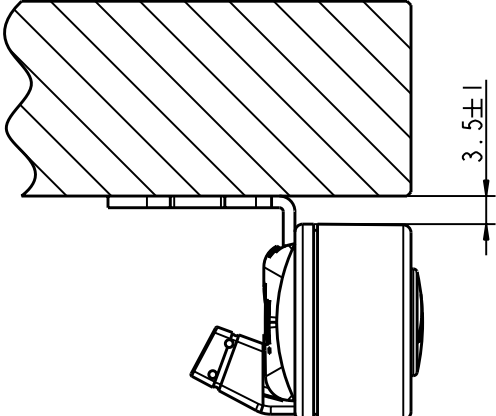
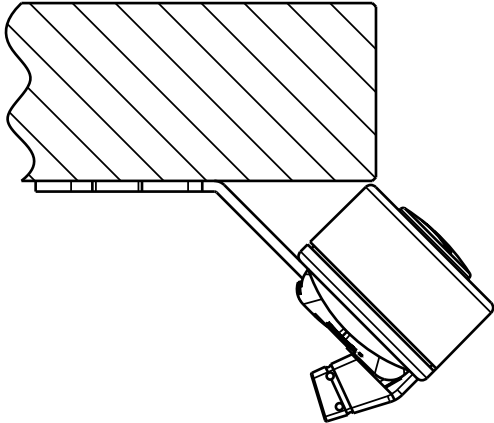
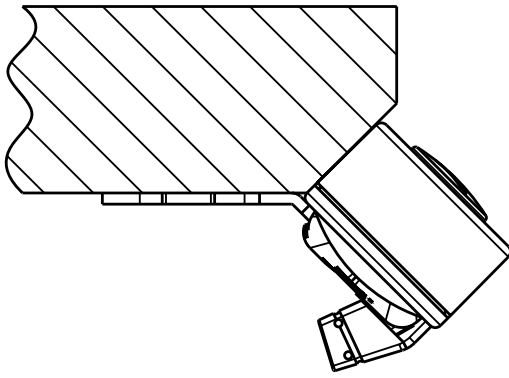
- Place the DPB in the drawer before mounting the drawer onto the tabletop.



Use 4 x $\varnothing 4$ mm countersunk screws. Recommended length: 16 mm.
The mounting screws must be fastened with a max. torque of 1 Nm.

DPF**DPF without anti-collision sensor**

1. Mount the DPF using a mounting bracket.
The mounting bracket is available in 4 different versions for different ways of mounting the desk panel.

Using article number 914759	Using article number 914757
<p>The panel is mounted with a 90° bracket and placed close to the tabletop</p>  <p>Drawing no. 914953</p>	<p>The panel is mounted with a 90° bracket and placed with a distance to the tabletop</p>  <p>Drawing no. 914953</p>
Using article number 914760	Using article number 914785
<p>The panel is mounted with a 45° bracket and placed at the edge of the tabletop</p>  <p>Drawing no. 914953</p>	<p>The panel is mounted with a 45° bracket and placed on a tabletop with angled front</p>  <p>Drawing no. 914953</p>

2. Click the panel into the bracket and it is fixed.



Once mounted, the desk panel cannot be removed from the bracket.

DPF with built-in anti-collision sensor

Important notes

A removable label comprising important installation notes is attached to the DPF cover.



- Pre-drill holes.
- Always use 2 x $\varnothing 4$ mm pan head screws for mounting the DPF (recommended length: 16 mm)
- Ensure that the surface on which the DPF is mounted is flat and without any bulges.
- Fasten the screws sufficiently (minimum 1 Nm) without over-tightening them.



Remove the label before mounting the DPF.

The DPF with built-in anti-collision sensor comes with a integrated 90° bracket.



If holes are not pre-drilled in the tabletop, a bulge of wood might occur between the tabletop and the DPF, which causes the DPF not to be tightened sufficiently to the tabletop. This might lead to false triggering of the built-in anti-collision sensor in the DPF.

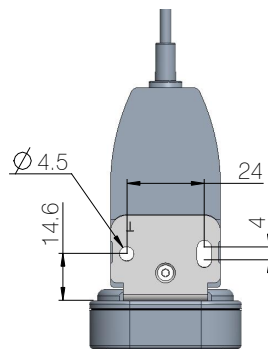
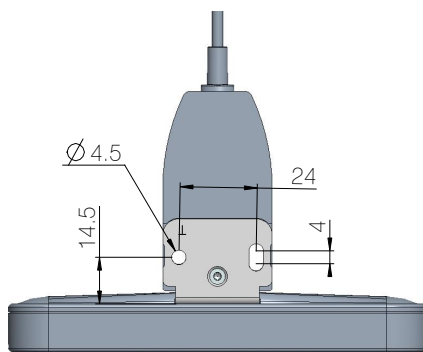


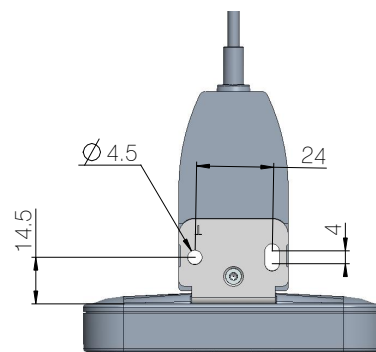
Figure 6 DPF1K hole pattern

Drawing no. 09144008



Drawing no. 09144007

Figure 4 DPF1C hole pattern



Drawing no. 09144011

Figure 5 DPF1D hole pattern

DP1CS

We recommend pre-drilling the holes for the desk panel to ensure the same aligned position for all desks.

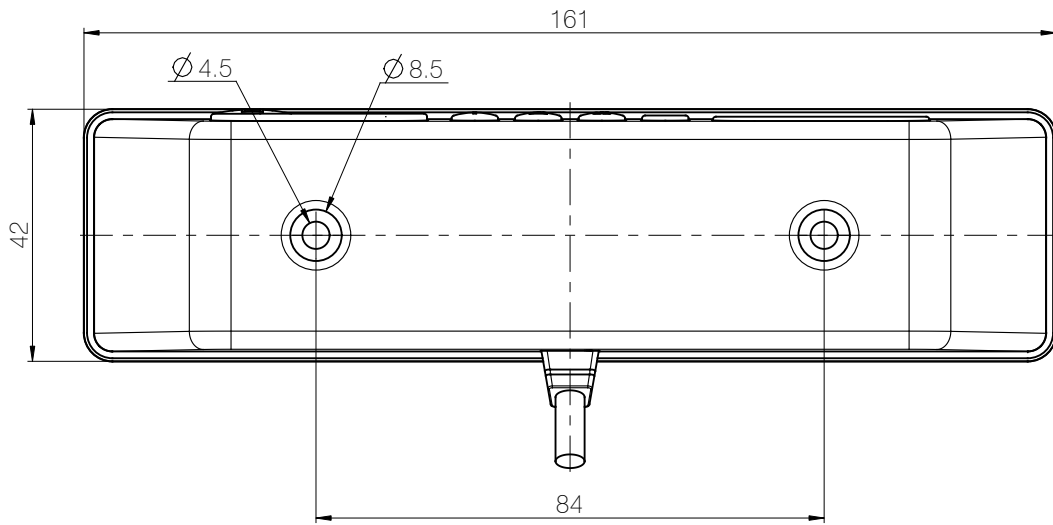


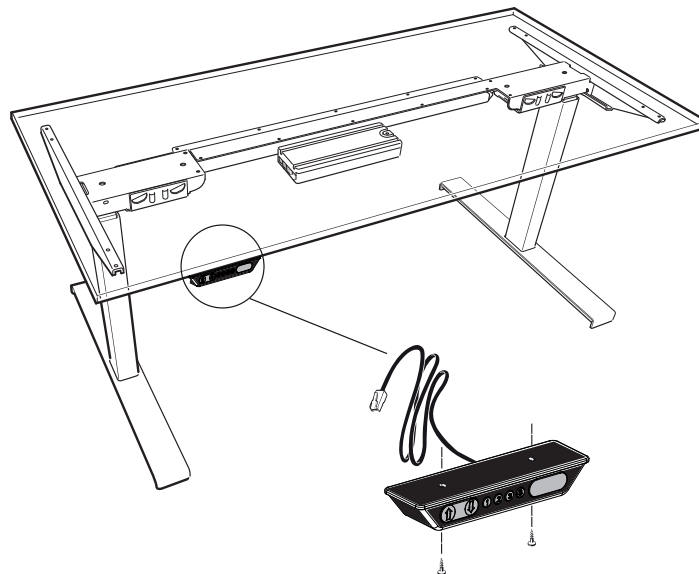
Figure 7 Hole pattern of the desk panel (mm)

- Pre-drill holes.



If holes are not predrilled, a bulge of wood might develop between the tabletop and the desk panel – which causes the desk panel not to be tightened sufficiently to the tabletop.

- Mount the desk panel on the tabletop so that the keys are either facing upwards or outwards.



Use 2 x $\varnothing 4$ mm countersunk screws. Recommended length: 12 mm.
The mounting screws must be fastened with a max. torque of 1 Nm.

DPT

1. Drill a hole in the tabletop in accordance with the drawing.

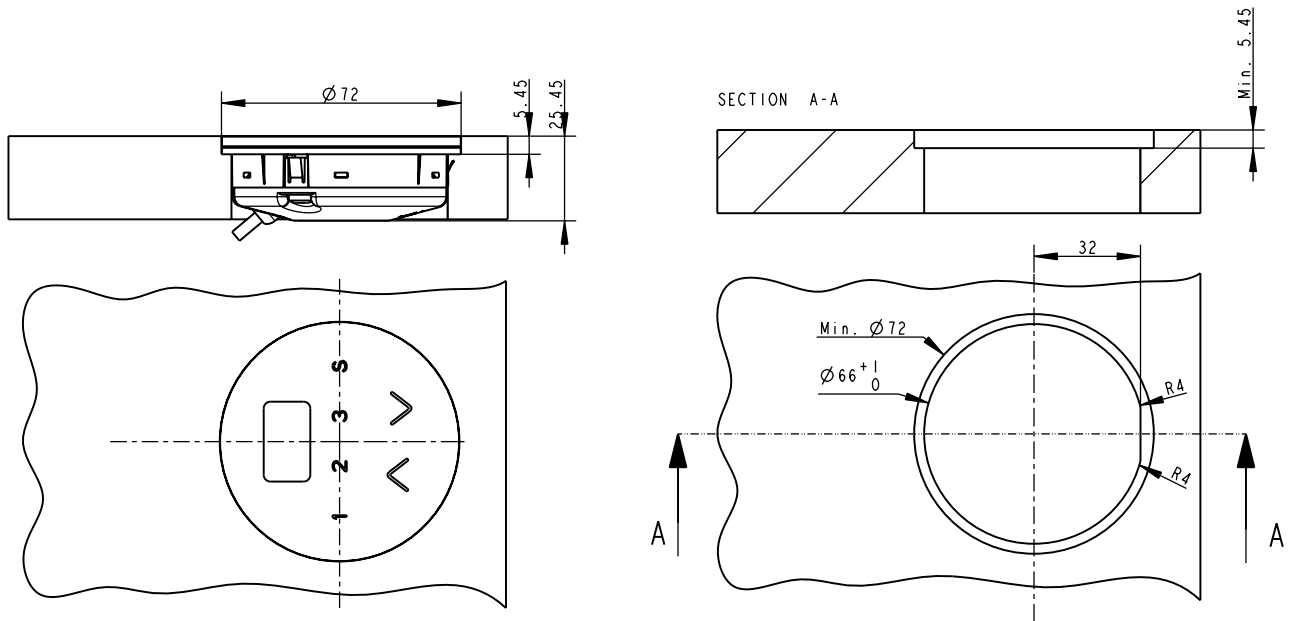


Figure 8

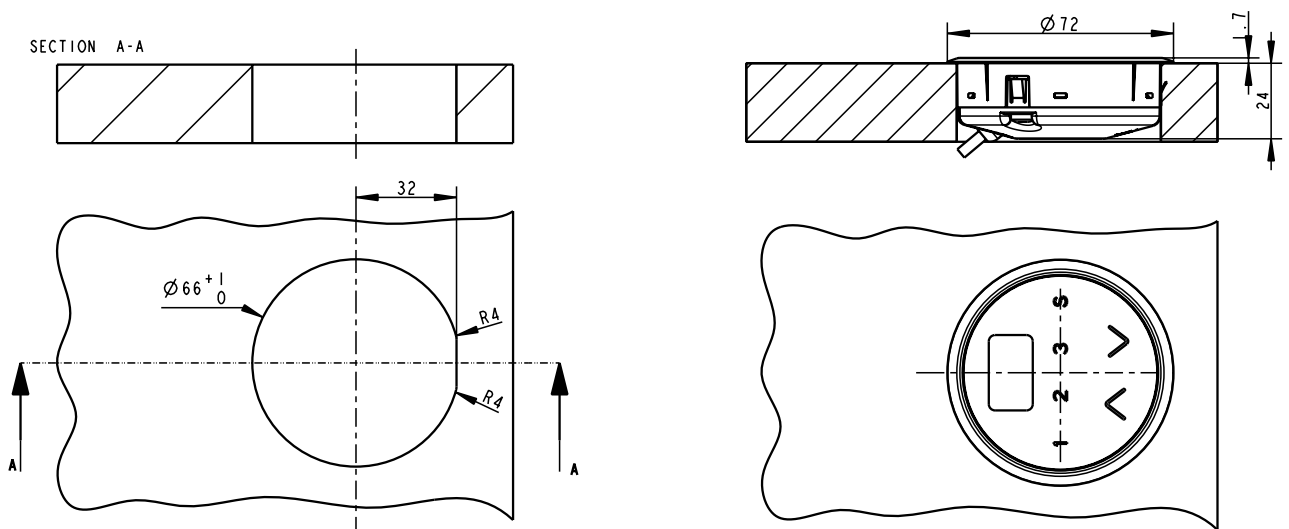


Figure 9

2. Mount the DPT in the hole.
3. Fasten the two screws delivered with the product on the back (maximum torque: 40 Ncm).
If you do not have a torque screwdriver, tighten gently and only until you feel a slight resistance.
Do not use an electrical tool!



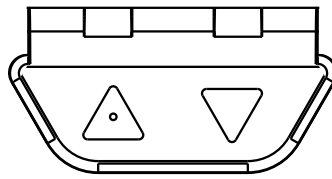
For countersink versions, ensure that the acrylic plate is not put under pressure, as this will push the acrylic plate out of place.

4. Remove the protection foil.

Operation

DPA/DPB

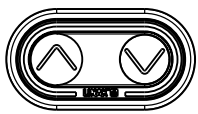
Press either the up or the down button. The system will drive until the button is released again or the system reaches its end position.



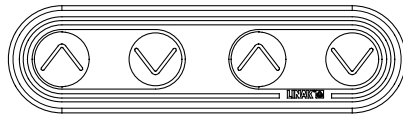
DPF without display

DPF1K, DPF2K and DPF3K

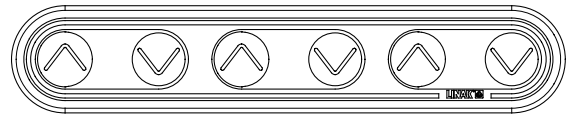
Press either the up or the down button and the system will drive until the button is released again or the system reaches its end position.



DPF1K - 1 reference



DPF2K - 2 references



DPF3K - 3 references

DPF1M

The desk panel front is divided into 2 sections; one for up/down drive and one for memory drive. The two arrow buttons are used for up/down drive, and the other four buttons are used for memory drive.

^	Up	
∨	Down	
•	Memory 1	
••	Memory 2	
•••	Memory 3	
S	Store memory	

Normal operation (∧ ∨):

To run the desk up or down, press one of the arrow buttons and keep it pressed until the desk reaches the desired height. The display will show the actual height while the desk is moving and continue to show the height of the desk after stopping.

Store a memory position (••• S):

Drive the desk to the desired height. Press the S button. Within 2 seconds, press one of the memory buttons to save the position.

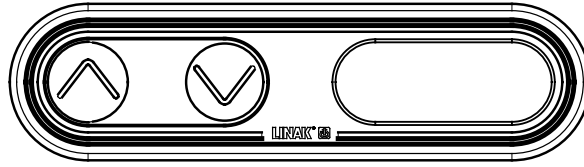
Drive to a stored position (•••):

Press one of the memory buttons and the system will start driving to the desired memory position. Keep pressing the button until the position is reached and the desk stops.

DPF with display

DPF1D

The desk panel front is divided into 2 sections; the display and a section for up/down drive.



Normal operation:

To run the desk up or down, press the ^ or v button and keep it pressed until the desk reaches the desired height. The display will show the actual height while the desk is moving and continue to show the height of the desk for 10 seconds when the desk stops.

DPF1C

The desk panel front is divided into 3 sections; the display and sections for up/down drive and for memory drive. The two arrows are used for up/down drive, and the other four buttons are used for memory drive.

^	Up	
v	Down	
•	Memory 1	
••	Memory 2	
•••	Memory 3	
S	Store memory	

Normal operation:

To run the desk up or down, press the ^ or v button and keep it pressed until the desk reaches the desired height. The display will show the actual height while the desk is moving and continue to show the height of the desk for 10 seconds when the desk stops.

Storing a memory position (•••Ⓢ):

Drive the desk to the desired height. Press the Ⓢ button and the display will flash S for 2 sec. While the S is displayed, press one of the memory buttons. When the display shows 1, 2 or 3, the position is saved.

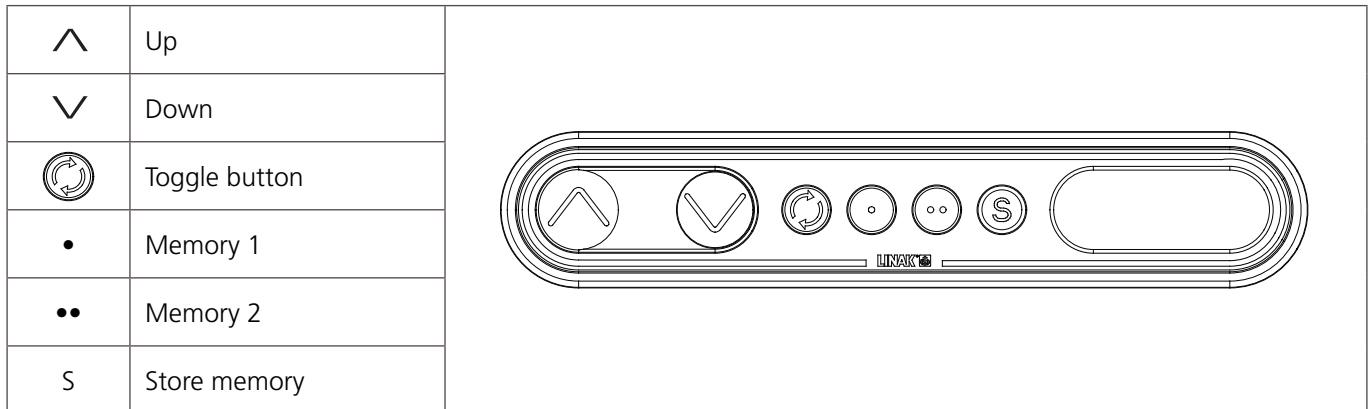
To abort a storing sequence, press the ^ or v button while the "S" is flashing, or wait the 3 seconds until the display shows the desk height again.

Drive to a stored position (•••):

Press one of the memory buttons and the system will start driving to the desired memory position. Keep pressing the button until the position is reached and the desk stops.

DPF4T

The desk panel front is divided into 3 sections; the display and sections for up/down drive and for reference selection/memory drive. The two arrows are used for up/down drive, the toggle button is used for reference selection, and the other three buttons are used for memory drive.



Normal operation (∧ ∨):

To run the desk up or down, press one of the arrow buttons and keep it pressed until the desk reaches the desired height. The display will show the actual height while the desk is moving and continue to show the height of the desk for 10 seconds when the desk stops.

Storing a memory position (○ ● ●):

Drive the desk to the desired height. Press the ● button and the display will flash S for 2 sec. While the S is displayed, press one of the memory buttons. When the display shows 1, 2 or 3, the position is saved.



The memory position will be for all references. When using memory one or two, reference one will first drive to its memory position followed by reference two and so on.

To abort a storing sequence, press the ∧ or ∨ button while the "S" is flashing, or wait the 3 seconds until the display shows the desk height again.

Drive to a stored position (○ ●):

Press one of the memory buttons and the system will start driving to the desired memory position. Keep pressing the button until the position is reached and the desk stops.

Toggle function (●)

Press the ● button to toggle through all references and select which reference you would like to use.

Example:

Press the ● button and the display shows 123 – press one more time and 234 is shown. The highlighted number indicates which reference is selected.



If only two references exist, the display will show 121 // 212.

When the up/down button is activated, the display briefly (about ½ second) shows the reference number, then the actual height.

Reference setup is made in the control box using the configuration software.






The DPF will automatically detect the configuration (1, 2, 3, or 4 references).

Other functions

Adjusting the displayed height

It may be necessary to adjust the displayed height due to different thicknesses of desktops etc. As standard the display will show either 68 (cm) or 24.5 (inch) as the default desk height.

Press the  keys at the same time and keep them pressed for 5 seconds. This allows adjustment of the initial height. The display shows three dashes (---). When the display reverts to showing the height, the height can be adjusted using one of the  keys until the desired height is displayed. Press (S) to save the new value, or wait 5 seconds for the panel to return to normal operation (after a brief flash).

The feature can be disabled via configuration in which case pressing the  keys at the same time will be considered an illegal keypress.

Switching between cm and inch:

Switching between cm and inch can only be done via one of the DPF configurators.

Adjusting the light intensity of the LED display:

Possible settings are Off, 6%, 12%, 19%, 25%, 37%, 50%, 75% and 100%.

The adjustment can only be done via one of the DPF configurators.



The DPF with display and built-in anti-collision sensor is default configured to 50% light intensity.

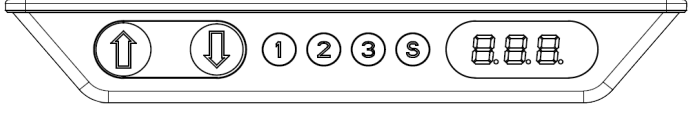
Adjusting the light timeout:

Possible settings are 0 to 15 seconds or Off.

The adjustment can only be done via one of the DPF configurators.

DP1CS

The desk panel front is divided into 3 sections; the display and sections for parallel drive and for memory drive. The two arrows are used for parallel drive, and the other four buttons are used for memory drive.

↑	Desk up	
↓	Desk down	
1	Memory 1	
2	Memory 2	
3	Memory 3	
S	Store memory	

Normal operation (↑ ↓)

To run the desk up or down, press one of the arrow buttons and keep it pressed until the desk reaches the desired height.

Storing a memory position (1 2 3 S):

Drive the desk to the desired height. Press the "S" button and the display will flash "S" for 2 sec. While the "S" is displayed, press one of the memory buttons. When the display shows "1", "2", or "3", the position is saved at this button.

Drive to a stored position (1 2 3):

Press one of the memory buttons and the system will start driving to the desired memory position. Keep pressing the button until the position is reached and the desk stops.





Display



Shows the actual height in either cm or inch and can display error codes.

Other functions

Adjusting the displayed height

It may be necessary to adjust the displayed height due to different thicknesses of desktops etc. As standard, the display will show either 68 (cm) or 24.5 (inch) as the default desk height.

Press the   keys at the same time and keep them pressed for 5 seconds. This allows adjustment of the initial height. The display shows three dashes (---). When the display reverts to showing the height, the height can be adjusted using one of the   keys until the desired height is displayed. The system will return to normal operation (and briefly flash) after 5 seconds of inactivity on the keys.

The feature can be disabled via configuration in which case pressing the   keys at the same time will be considered an illegal keypress.

Switching between cm and inch:

Switching between cm and inch can only be done via the configurator.

Adjusting the light intensity of the LED display:

Possible settings are Off, 6%, 12%, 19%, 25%, 37%, 50%, 75% and 100%.

The adjustment can only be done via the configurator.

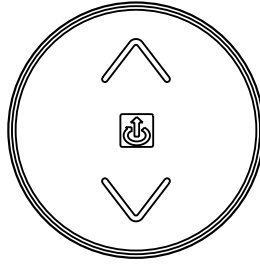
Adjusting the light timeout:

Possible settings are 0-15 seconds and Off.

The adjustment can only be done via the configurator.

DPH

Press either the up or the down arrow. The system will drive until the arrow is released again or the system reaches its end position.



DPT



The DPT features ZERO™ meaning that, approx. 10 sec. after last used, the DPT enters standby mode and the display turns off. When activated again only a bar is flashing in the centre of the display as the DPT is locked.



For safety reasons the DPT has a locking function.

If the DPT is locked, only a bar is flashing in the centre of the display. To unlock the control press "S" for 1 sec. When the DPT is unlocked, the height will be shown in the display. Now the DPT is active for 2.5 seconds. When pressing one of the keys you can make your adjustment. Hereafter, the DPT will be active for 5 seconds. When no activations are made within the mentioned time slot, the DPT will go into locking mode again. Also, if you press "S" for unlocking too long, the DPT will unlock but lock again immediately.

The desk panel front is divided into 3 sections; the display and sections for parallel drive and for memory drive. The two arrows at the bottom are used for parallel drive, and the other four buttons are used for memory drive.

∧	Desk up	
∨	Desk down	
1	Memory 1	
2	Memory 2	
3	Memory 3	
S	Store memory + unlock	

Normal operation (∧ ∨):

To run the desk up or down, press one of the arrow buttons and keep it pressed until the desk reaches the desired height. The display will show the actual height while the desk is moving and continue to show the height of the desk after stopping.

Storing a memory position:

Drive the desk to the desired height. Press the "S" button and the display will flash "S" for 3 sec. While the "S" is displayed, press the memory button 1, 2 or 3. When the display shows S1, S2 or S3 for 1 second, the position is saved.

To abort a stored sequence, press the ∧ or ∨ button while the "S" is flashing, or wait the 3 seconds until the display shows the desk height again.

Drive to a stored position:

Press memory button 1, 2 or 3, and the system will start driving to the desired memory position. Keep pressing the button until the position is reached and the desk stops. The display will show the actual height while the desk is moving to the memory position.

Other functions

Adjusting the displayed height

It may be necessary to adjust the displayed height due to different thicknesses of desktops etc. As standard, the display will show either 68 (cm) or 24.5 (inch) as the default desk height.

Press the S key and the \wedge or the \vee key at the same time and keep them pressed until the desired height is displayed.

The feature can be disabled via configuration in which case pressing the S key and the \wedge or the \vee key at the same time will be considered an illegal keypress.

Switching between cm and inch:

Press the "S" button for approximately 5 seconds, and the measurement unit will change on the display. The default setting depends on the type chosen.

Switching between cm and inch can also be done via the configurator.



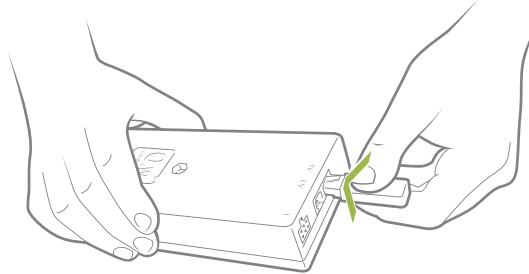
If several buttons in the same row are accidentally pressed at the same time, the button with the hardest pressure is activated. On a press between upper and lower row of buttons the display will show E16.

BP10**WARNING:**

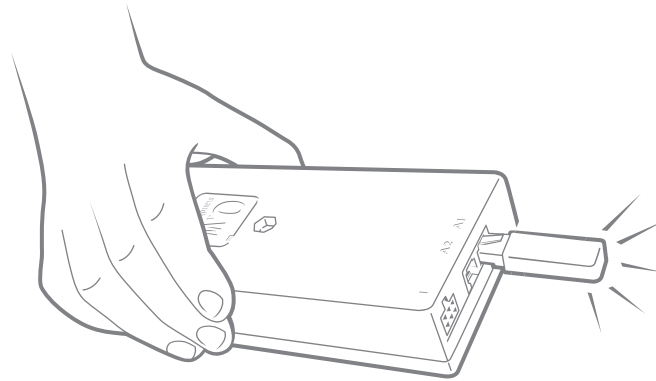
The Hand Control BP10 TV contains a magnet that could affect the function of a medical device (such as a pacemaker). Please read the instructions of the medical device and keep a safe distance for safe use, if required.

Pairing your control

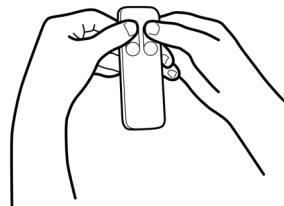
1. Plug the Bluetooth® Adapter into a powered control box.



2. The BLE2LIN is in pairing mode for three minutes and flashes to indicate this. It can take up to ten seconds before the pairing mode starts.



3. Press the two top buttons on the hand control at the same time.
For BP11 TV: press the 'up' **and** the 'down' button.



The BLE2LIN gives one long flash to indicate that the hand control and the BLE2LIN are paired up.



If you need to get the system into pairing mode, unplug the system, wait for 10 seconds, and plug the power cable back in.

Initialising the system

1. Press the "down" button on the hand control for the system that must be initialised and drive the system to its lowest position.
2. Release the button on the hand control.

Re-initialising the system

If the system needs to re-initialised, please follow this procedure:

1. Press and hold the "down" button for 10 seconds to make the system initialise – the system can now drive outwards.

Operation

Press either the up or the down button and the system will drive until the button is released again or the system reaches its end position.

Replacing the battery



Caution/Warning

Contains coin battery



Warning

This product contains a coin battery. A coin battery can cause serious internal chemical burns if swallowed. Swallowing or insertion of a battery into the body may lead to serious injury or death in as little as 2 hours, due to chemical burn and potential perforation of the esophagus.



Warning

Keep new and used batteries out of the reach of children. If you think a battery might have been swallowed or placed inside any part of the body, seek immediate medical attention.

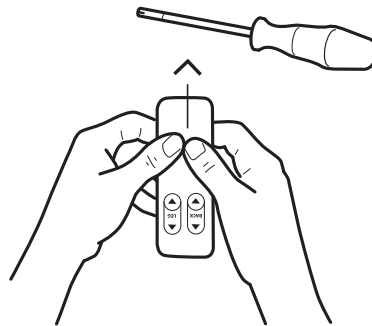


Warning

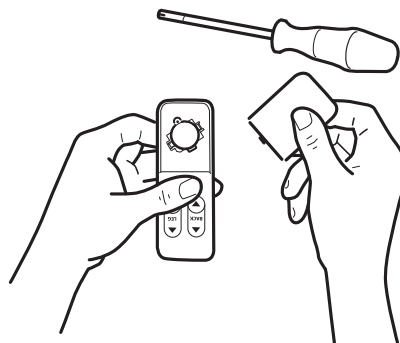
Dispose of used batteries immediately and safely.

The CR2032 battery can be replaced when needed.

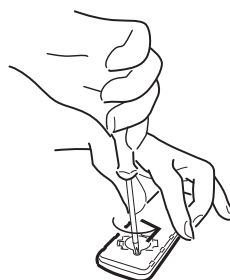
1. Press the battery cover down and slide to loosen it.



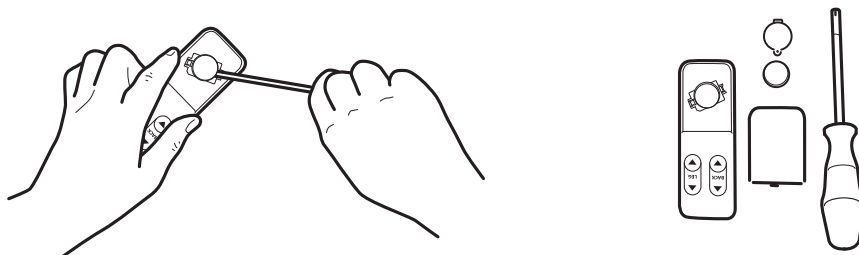
2. Remove the battery cover.



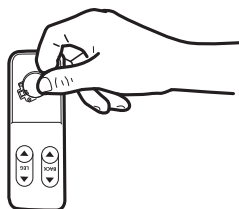
3. Unscrew the battery safety cover.



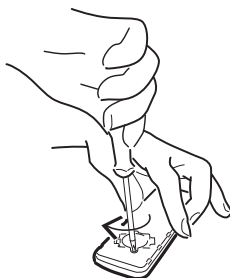
4. Use a screwdriver to remove the old battery.



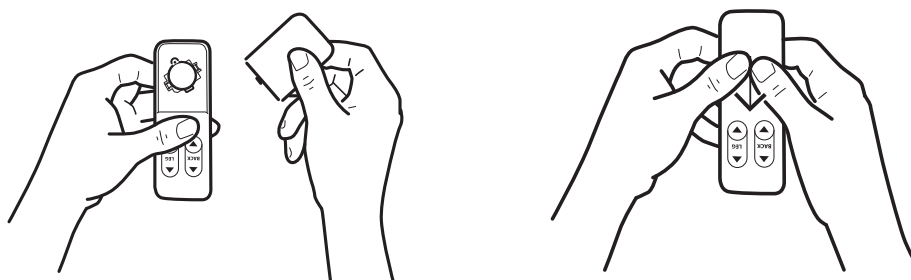
5. Insert the new battery.



6. Screw the battery cover back on.



7. Put the battery cover back in place.



Battery safety information for end users

For UL 4200A compliance

Requirements for end-user warnings and information:

Compliance with UL 4200A extends beyond initial steps and involves providing necessary warnings and information directly to the end user. You can fulfil these requirements through distinct warnings on the product packaging, as well as detailed information within the instruction and user manuals.



The following are suggested ways to communicate these precautions effectively.







The guidelines provided herein represent one method to adhere to the standards of UL 4200A. However, there are other ways to ensure compliance with UL 4200A regulations. We encourage you to consult with your preferred testing laboratory to gain a comprehensive understanding of the UL 4200A requirements and to explore the various ways to meet these standards.



Information on the packaging:

Use one of the two graphics below together with the stated text in English. Add the French version for deliveries to Canada.

 WARNING	
	<ul style="list-style-type: none"> • INGESTION HAZARD: This product contains a button cell or coin battery. • DEATH or serious injury can occur if ingested. • A swallowed button cell or coin battery can cause Internal Chemical Burns in as little as 2 hours. • KEEP new and used batteries OUT OF REACH OF CHILDREN. • Seek immediate medical attention if a battery is suspected to be swallowed or inserted in any part of the body.

 WARNING	
	<ul style="list-style-type: none"> • INGESTION HAZARD: This product contains a button cell or coin battery. • DEATH or serious injury can occur if ingested. • A swallowed button cell or coin battery can cause Internal Chemical Burns in as little as 2 hours. • KEEP new and used batteries OUT OF REACH OF CHILDREN. • Seek immediate medical attention if a battery is suspected to be swallowed or inserted in any part of the body.

 AVERTISSEMENT	
	<ul style="list-style-type: none"> • RISQUE D'INGESTION : Ce produit contient une pile bouton ou une pile à pièces. • La MORT ou des blessures graves peuvent survenir si le produit est ingéré. • Une pile bouton ou une pile à pièces avalée peut causer des brûlures chimiques internes en seulement 2 heures. • GARDEZ les piles neuves et usagées HORS DE PORTÉE DES ENFANTS. • Consultez immédiatement un médecin si vous pensez qu'une pile a été avalée ou insérée dans une partie du corps.

 AVERTISSEMENT	
	<ul style="list-style-type: none"> • RISQUE D'INGESTION : Ce produit contient une pile bouton ou une pile à pièces. • La MORT ou des blessures graves peuvent survenir si le produit est ingéré. • Une pile bouton ou une pile à pièces avalée peut causer des brûlures chimiques internes en seulement 2 heures. • GARDEZ les piles neuves et usagées HORS DE PORTÉE DES ENFANTS. • Consultez immédiatement un médecin si vous pensez qu'une pile a été avalée ou insérée dans une partie du corps.

The displayed icon size must be:



Width: Minimum 7 mm; Height: minimum 9 mm.



The packaging must clearly specify the battery type, CR2032, and the nominal voltage, 3 V.



The text "WARNING" must be clearly visible, have a height of minimum 5 mm, and be in capital letters. All other informational text must have a height of minimum 2.5 mm and be in bold and capital letters as shown.



Information in the instruction and user manual:

Use one of the two graphics below together with the stated text in English. Add the French version for deliveries to Canada.

 WARNING	
	<ul style="list-style-type: none"> • INGESTION HAZARD: This product contains a button cell or coin battery. • DEATH or serious injury can occur if ingested. • A swallowed button cell or coin battery can cause Internal Chemical Burns in as little as 2 hours. • KEEP new and used batteries OUT OF REACH OF CHILDREN. • Seek immediate medical attention if a battery is suspected to be swallowed or inserted in any part of the body.

 WARNING	
	<ul style="list-style-type: none"> • INGESTION HAZARD: This product contains a button cell or coin battery. • DEATH or serious injury can occur if ingested. • A swallowed button cell or coin battery can cause Internal Chemical Burns in as little as 2 hours. • KEEP new and used batteries OUT OF REACH OF CHILDREN. • Seek immediate medical attention if a battery is suspected to be swallowed or inserted in any part of the body.

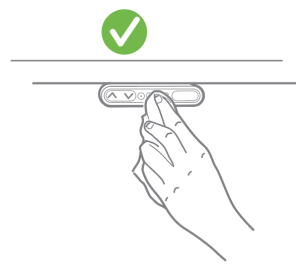
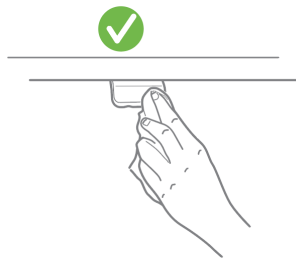
 AVERTISSEMENT	
	<ul style="list-style-type: none"> • RISQUE D'INGESTION : Ce produit contient une pile bouton ou une pile à pièces. • La MORT ou des blessures graves peuvent survenir si le produit est ingéré. • Une pile bouton ou une pile à pièces avalée peut causer des brûlures chimiques internes en seulement 2 heures. • GARDEZ les piles neuves et usagées HORS DE PORTÉE DES ENFANTS. • Consultez immédiatement un médecin si vous pensez qu'une pile a été avalée ou insérée dans une partie du corps.

 AVERTISSEMENT	
	<ul style="list-style-type: none"> • RISQUE D'INGESTION : Ce produit contient une pile bouton ou une pile à pièces. • La MORT ou des blessures graves peuvent survenir si le produit est ingéré. • Une pile bouton ou une pile à pièces avalée peut causer des brûlures chimiques internes en seulement 2 heures. • GARDEZ les piles neuves et usagées HORS DE PORTÉE DES ENFANTS. • Consultez immédiatement un médecin si vous pensez qu'une pile a été avalée ou insérée dans une partie du corps.

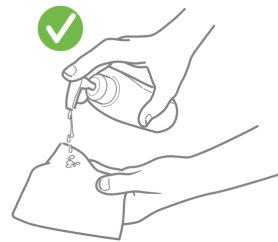
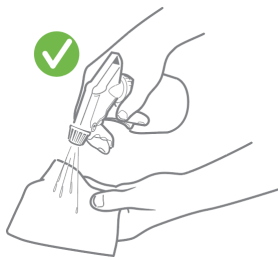
1. Remove and immediately recycle or dispose of used batteries according to local regulations. Do NOT dispose of batteries in household trash or incinerate.
2. Keep used batteries away from children.
3. Even used batteries may cause severe injury or death.
4. Call your local poison control center for treatment information.
5. Battery type: CR2032
6. Battery voltage: 3 V
7. Non-rechargeable batteries may not be recharged.
8. Do not force discharge, recharge, disassemble, heat above 40 °C, or incinerate. Doing so may result in injury due to venting, leakage or explosion resulting in chemical burns.
9. Ensure the batteries are installed correctly in accordance with polarity (+ and -).
10. Do not mix old and new batteries, different brands or types of batteries, such as alkaline, carbon-zinc, or rechargeable batteries.
11. Remove and immediately recycle or dispose of batteries from equipment not used for an extended period of time according to local regulations.
12. Always completely secure the battery compartment. If the battery compartment does not close securely, stop using the product, remove the batteries and keep them away from children.

Maintenance

Clean your desk panel with a soft damp cloth. Universal cleaning detergents may be used.



For disinfection of the desk panel, use a 70 percent isopropyl alcohol either as a wipe or add a small amount to a soft cloth.

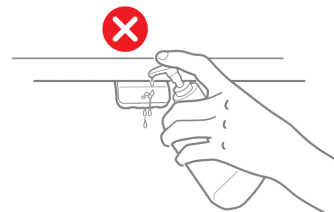
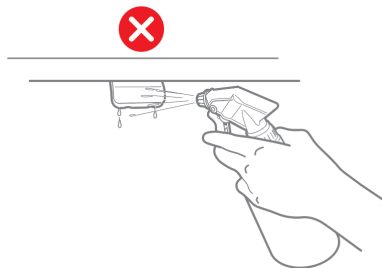


CAUTION

Risk of damaging the desk panel

The desk panel is not a sealed unit and there are electronics inside it.

- Ensure that liquids or moisture does not enter an opening. It may damage the PCB and ruin the desk panel.
- Avoid spraying the cleaning agent or disinfectant directly on the desk panel.



- Cleaning agents and disinfectants must not be highly alkaline or acidic (pH value must be 6 to 8), and they must not contain bleach or chlorine.
- Do not use hand sanitizer gel as a cleaning agent.

Troubleshooting

For desk panels/controls with display:

Error codes

The display shows pending error codes when a button is pressed. The display blinks while showing the error code. The error E16 overrules any other errors as the detection is registered only in the display and no message is sent to the control box.

Error code	Description
E01	The desk has an unknown position and needs to be initialised.
E02	Overload in upward direction has occurred.
E03	Overload in downward direction has occurred.
E16	Illegal keypress.

Repair and disposal



WARNING

Opening the product

Risk of injury to persons and of malfunction

- Do not open the unless you are authorised to do so.

Only an authorised LINAK® service centre should repair the LINAK products. Products to be repaired under warranty must be sent to an authorised LINAK service centre.

In order to avoid the risk of malfunction, all product repairs must only be carried out by an authorised LINAK Service shop or repairers, as special tools and parts must be used.

If a product is opened by unauthorised personnel there is a risk that it may malfunction at a later date.

LINAK systems or components may be disposed of, possibly by dividing them into different waste groups for recycling or combustion.

We recommend that our product is disassembled as much as possible at the disposal and that you try to recycle it. LINAK systems or components should be disposed of in accordance with the environmental regulations applicable in the respective country.

Almost all our cast plastic parts are supplied with an interior code for plastic type and fibre contents, if any.

Disposal of batteries

Batteries should be disposed of in accordance with appropriate federal, state and local regulations. LINAK recommends that used or leaking batteries are disposed of through local recycling system. Please do not throw used or leaking batteries in normal household waste or in nature. This will cause damage to the environment.

How to deal with leaking batteries

Leaking batteries should be disposed of as described above.

If leaking batteries are discovered in the product, the batteries must be removed immediately to minimise damage to the product.

If leaking batteries are left in the product, it becomes defective.

It is recommended to use plastic gloves when handling leaking batteries. The contents of leaking batteries can cause chemical burns and respiratory irritation.

- If exposed to the contents of a leaking battery, wash with soap and water.
- If irritation persists, seek medical attention.
- In case of eye contact, flush eyes thoroughly with water for 15 minutes and seek medical attention.

Contacts

FACTORIES

Denmark - Headquarters
 LINAK A/S
 Phone: +45 73 15 15 15
 Fax: +45 74 45 80 48
 Fax (Sales): +45 73 15 16 13
 Web: www.linak.com

China
 LINAK (Shenzhen) Actuator Systems, Ltd.
 Phone: +86 755 8610 6656
 Phone: +86 755 8610 6990
 Web: www.linak.cn

Slovakia
 LINAK Slovakia s.r.o.
 Phone: +421 51 7563 444
 Web: www.linak.sk

Thailand
 LINAK APAC Ltd.
 Phone: +66 33 265 400
 Web: www.linak.com

USA
 LINAK U.S. Inc.
 Americas Headquarters
 Phone: +1 502 253 5595
 Fax: +1 502 253 5596
 Web: www.linak-us.com
 www.linak-latinamerica.com

SUBSIDIARIES

Australia
 LINAK Australia Pty. Ltd
 Phone: +61 3 8796 9777
 Fax: +61 3 8796 9778
 E-mail: sales@linak.com.au
 Web: www.linak.com.au

Austria
 LINAK Zweigniederlassung - Österreich (Wien)
 Phone: +43 (1) 890 7446
 Fax: +43 (1) 890 744615
 E-mail: info@linak.de
 Web: www.linak.at - www.linak.hu

Belgium
 LINAK Actuator-Systems NV/SA
 (Belgium & Luxembourg)
 Phone: +32 (0)9 230 01 09
 E-mail: beinfo@linak.be
 Web: www.linak.be - www.fr.linak.be

Brazil
 LINAK Do Brasil Comércio De Atuadores Ltda.
 Phone: +55 (11) 2832 7070
 Fax: +55 (11) 2832 7060
 E-mail: info@linak.com.br
 Web: www.linak.com.br

Canada
 LINAK Canada Inc.
 Phone: +1 502 253 5595
 Fax: +1 416 255 7720
 E-mail: info@linak.ca
 Web: www.linak-us.com

Czech Republic
 LINAK C&S s.r.o.
 Phone: +42 058 174 1814
 Fax: +42 058 170 2452
 E-mail: info@linak.cz
 Web: www.linak.cz - www.linak.sk

Denmark - International
 LINAK International
 Phone: +45 73 15 15 15
 E-mail: info@linak.com
 Web: www.linak.com

Denmark - Sales
 LINAK Danmark A/S
 Phone: +45 86 80 36 11
 Fax: +45 86 82 90 51
 E-mail: linak@linak-silkeborg.dk
 Web: www.linak.dk

Finland
 LINAK OY
 Phone: +358 10 841 8700
 E-mail: linak@linak.fi
 Web: www.linak.fi

France
 LINAK France E.U.R.L.
 Phone: +33 (0) 2 41 36 34 34
 Fax: +33 (0) 2 41 36 35 00
 E-mail: linak@linak.fr
 Web: www.linak.fr

Germany
 LINAK GmbH
 Phone: +49 6043 9655 0
 Fax: +49 6043 9655 60
 E-mail: info@linak.de
 Web: www.linak.de

India
 LINAK A/S India Liaison Office
 Phone: +91 120 4531797
 Fax: +91 120 4786428
 E-mail: info@linak.in
 Web: www.linak.in

Ireland
 LINAK UK Limited (Ireland)
 Phone: +44 (0)121 544 2211
 Fax: +44 (0)121 544 2552
 +44 (0)796 855 1606 (UK Mobile)
 +35 387 634 6554 (Rep.of Ireland Mobile)
 E-mail: sales@linak.co.uk
 Web: www.linak.co.uk

Italy
 LINAK ITALIA S.r.l.
 Phone: +39 02 48 46 33 66
 Fax: +39 02 48 46 82 52
 E-mail: info@linak.it
 Web: www.linak.it

Japan
 LINAK K.K.
 Phone: 81-45-533-0802
 Fax: 81-45-533-0803
 E-mail: linak@linak.jp
 Web: www.linak.jp

Malaysia
 LINAK Actuators Sdn. Bhd.
 Phone: +60 4 210 6500
 Fax: +60 4 226 8901
 E-mail: info@linak-asia.com
 Web: www.linak.my

Netherlands
 LINAK Actuator-Systems B.V.
 Phone: +31 76 5 42 44 40 /
 +31 76 200 11 10
 E-mail: info@linak.nl
 Web: www.linak.nl

New Zealand
 LINAK New Zealand Ltd
 Phone: +64 9580 2071
 Fax: +64 9580 2072
 E-mail: nzsales@linak.com.au
 Web: www.linak.com.au

Norway
 LINAK Norge AS
 Phone: +47 32 82 90 90
 E-mail: info@linak.no
 Web: www.linak.no

Poland
 LINAK Polska
 LINAK Danmark A/S (Spółka Akcyjna)
 Phone: +48 22 295 09 70 /
 +48 22 295 09 71
 E-mail: info@linak.pl
 Web: www.linak.pl

Republic of Korea
 LINAK Korea Ltd.
 Phone: +82 2 6231 1515
 Fax: +82 2 6231 1516
 E-mail: info@linak.kr
 Web: www.linak.kr

Slovakia
 LINAK Slovakia S.R.O.
 Phone: +421 51 7563 444
 Web: www.linak.sk

Spain
 LINAK Actuadores, S.L.u
 Phone: +34 93 588 27 77
 Fax: +34 93 588 27 85
 E-mail: esma@linak.es
 Web: www.linak.es

Sweden
 LINAK Scandinavia AB
 Phone: +46 8 732 20 00
 Fax: +46 8 732 20 50
 E-mail: info@linak.se
 Web: www.linak.se

Switzerland
 LINAK AG
 Phone: +41 43 388 31 88
 E-mail: info@linak.ch
 Web: www.linak.ch - www.fr.linak.ch
 www.it.linak.ch

Taiwan
 LINAK (Shenzhen) Actuator systems Ltd.
 Taiwan Representative office
 Phone: +886 2 272 90068
 Fax: +886 2 272 90096
 E-mail: sales@linak.com.tw
 Web: www.linak.com.tw

Turkey
 LINAK İth. İhr. San. ve Tic. A.Ş.
 Phone: +90 312 4726338
 Fax: +90 312 4726635
 E-mail: info@linak.com.tr
 Web: www.linak.com.tr

United Kingdom
 LINAK UK Limited
 Phone: +44 (0)121 544 2211
 Fax: +44 (0)121 544 2552
 E-mail: sales@linak.co.uk
 Web: www.linak.co.uk

DISTRIBUTORS

Argentina
 Novotec Argentina SRL
 Phone: 011-4303-8989 / 8900
 Fax: 011-4032-0184
 E-mail: info@novotecargentina.com
 Web: www.novotecargentina.com

Colombia
 MEM Ltda
 Phone: +[57] (1) 334-7666
 Fax: +[57] (1) 282-1684
 E-mail: servicioalcliente@memltda.com.co
 Web: www.mem.net.co

India
 Mechatronics Control Equipments India Pvt Ltd
 Phone: +91-44-28558484, 85
 E-mail: bala@mechatronicscontrol.com
 Web: www.mechatronicscontrol.com

Indonesia
 PT. Himalaya Everest Jaya
 Phone: +6 221 544 8956 /+6 221 544 8965
 Fax: +6 221 619 1925
 Fax (Sales): +6 221 619 4658
 E-mail: hejplastic-div@centrin.net.id
 Web: www.hej.co.id

Israel
 NetivTech LTD
 Phone: +972 55-2266-535
 Fax: +972 2-9900-560
 Email: info@NetivTech.com
 Web: www.netivtech.com

Singapore
 Servo Dynamics Pte Ltd
 Phone: +65 6844 0288
 Fax: +65 6844 0070
 E-mail: servodynamics@servo.com.sg

South Africa
 Industrial Specialised Applications CC
 Phone: +27 011 466 0346
 E-mail: gartht@isagroup.co.za
 Web: www.isaza.co.za

United Arab Emirates
 Mechatronics
 Phone: +971 4 267 4311
 Fax: +971 4 267 4312
 E-mail: mechtron@emirates.net.ae

Terms of use

LINAK® takes great care in providing accurate and up-to-date information on its products. However, the user is responsible for determining the suitability of LINAK products for a specific application. Due to continual development, LINAK products are subject to frequent modifications and changes. LINAK reserves the rights to conduct modifications, updates, and changes without any prior notice. For the same reason, LINAK cannot guarantee the correctness and actual status of imprinted information on its products.

LINAK uses its best efforts to fulfil orders. However, for the reasons mentioned above, LINAK cannot guarantee availability of any particular product at any given time. LINAK reserves the right to discontinue the sale of any product displayed on its website or listed in its catalogues or in other written material created and produced by LINAK, LINAK subsidiaries, or LINAK affiliates. All sales are subject to the 'Standard Terms of Sale and Delivery for LINAK A/S' available on LINAK websites. LINAK and the LINAK logotype are registered trademarks of LINAK A/S. All rights reserved.