

# BA22 Li-Ion Data Sheet



## Contents

<b>Introduction</b> .....	<b>3</b>
<b>Features and options</b> .....	<b>3</b>
<b>Usage</b> .....	<b>4</b>
<b>Ordering Example</b> .....	<b>6</b>
<b>Dimensions</b> .....	<b>7</b>
<b>Mounting</b> .....	<b>8</b>
<b>Mounting possibilities</b> .....	<b>9</b>
Mounted with nut .....	9
Mounted without nut.....	9
<b>Mounting brackets</b> .....	<b>10</b>
Long-tail bracket .....	10
Long-tail bracket with nut.....	10
<b>Contacts</b> .....	<b>11</b>

## Introduction



The BA22 Li-Ion battery pack, designed with additional mechanical safety features within its enclosure, is specifically developed for use with PCP 2.0 control boxes. This lightweight battery includes a built-in charger and boasts a 2.85 Ah capacity. It meets the IPX6 Washable standard and ensures high performance. The BA22 also adheres to the new and improved LINAK standard for battery safety.

The BA22 Li-Ion battery is based on Nickel Manganese Cobalt Oxide (NMC) technology, which utilises a composition free of heavy metals.

Further benefits of using the BA22 Li-Ion are:

- Extended lifetime compared to lead acid batteries
- Easy to remove and attach the battery with snap system and LINAK mounting bracket on application or under control box
- The battery provides charging status information to the control box. This makes it possible to receive an indication via the control box to the hand control or in the Service Data Tool/OneConnect™
- New vented design acts as a pressure valve to ensure a safe failure. This means that there must be an air gap of 5 cm on both sides so that the vent is not blocked in case of an emergency

### Included in WeAssist™

The BA22 enhances intelligent hospital bed manoeuvrability and is included in the WeAssist system solution, contributing to smarter and more efficient healthcare solutions.

## Features and options

Lithium Ion technology:	Nickel Manganese Cobalt Oxide (NMC)
Nominal voltage:	25.2 - 25.7 V DC
Max. discharge current:	10 A up to 25 °C
Charging current:	3 A - controlled by control box
Battery capacity:	2.85 Ah
Weight:	1 kg
Housing colour:	Light grey (RAL 7035)
Protection class:	IPX6 Washable DURA™
Cable:	Exchangeable
Stacking:	Stacking of either 2 batteries or 1 battery and 1 control box possible
Packaging:	Every battery is packed individually and is fitted with lithium caution (transportation requirement)
Classification:	Internally powered

## Usage

Compatibility:	PCP 2.0 control boxes
Charging:	Integrated charger in battery
Charging time:	Up to 10 hours
Charging current:	3 A, limited to 300 mA by control box.
Charging temperature:	+5 °C to +40 °C Charging at elevated temperatures can impact the charging time.
Charging state:	Maximum 30% when shipped from LINAK  (The battery is shipped from LINAK in deep sleep and will be woken by charging)
Recharging during storage:	No need for charging during storage when the battery is in deep sleep. If the battery is woken up, it is recommended to fully charge the battery and recharge at least every 24 months.
Operating temperature:	+5 °C to +40 °C
Storage temperature:	-10 °C to +40 °C (+10 °C to +25 °C recommended)  The batteries must be stored in an applicable storage room without direct sunlight.
Transportation temperature:	-20 °C to +40 °C
Relative humidity:	20% to 80% – non-condensing
Atmospheric pressure:	700 to 1060 hPa
Height above sea level:	Max. 3000 meters
Warranty:	5 years
Approvals:	IEC60601-1 ANSI/AAMI ES60601-1 CAN/CSA-22.2 No 60601-1

All BA22 batteries produced in Denmark as of 1 January 2025 will have an extended warranty of 60 months (counting from manufacturing date).

All BA22 batteries produced prior to this date will follow the standard 12 months warranty period for batteries.

## LED functionality



The LED functionality matrix below describes the battery behaviour when the control box is connected to mains.

LED	Indication of operation
Solid orange	Charging
No LED light	Fully charged
Flashing orange	Error during charging

## Ordering Example

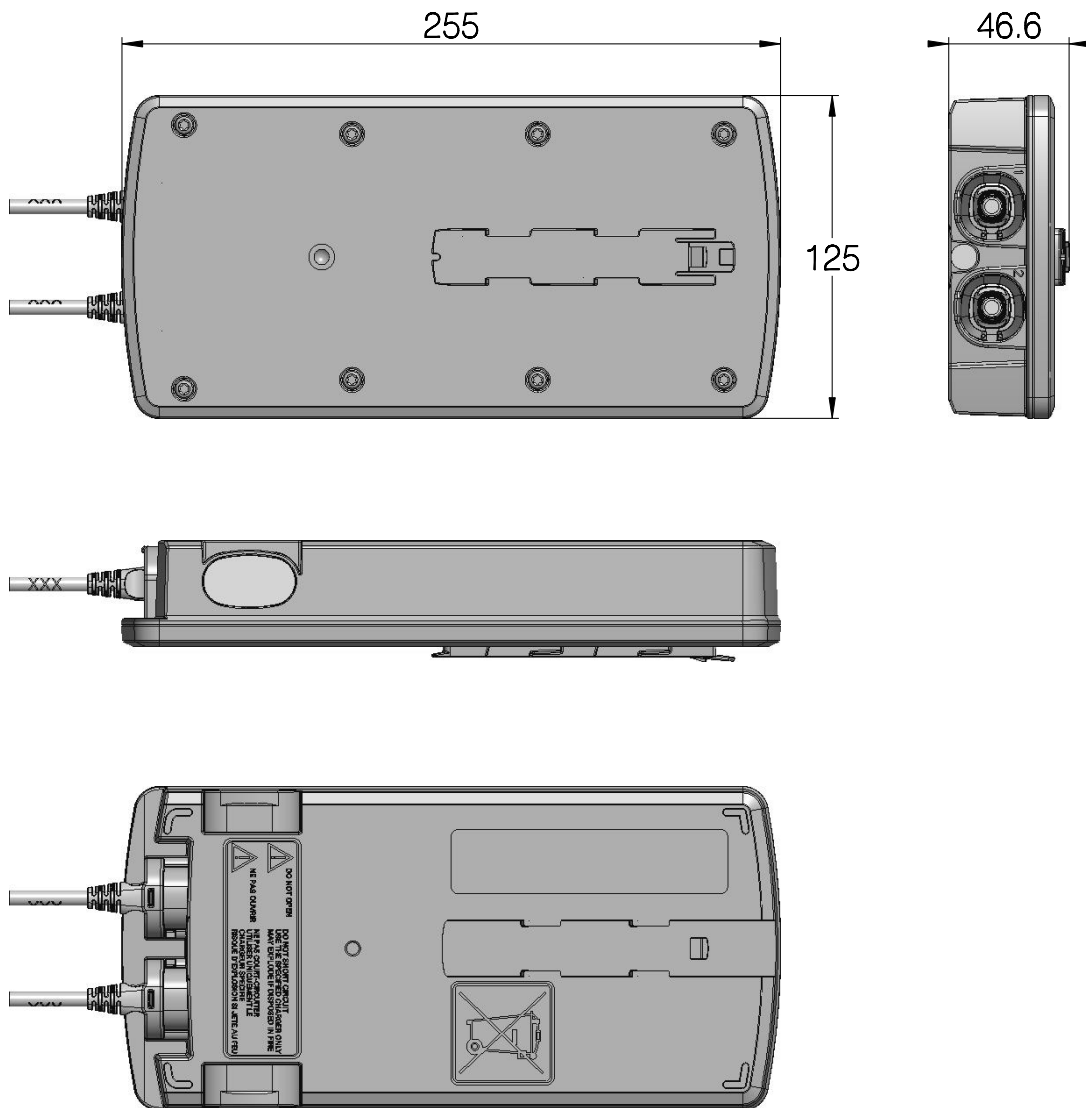
BA22		
Colour	<input type="text" value="1"/>	1 = RAL7035
IP-Degree	<input type="text" value="W"/>	W = Washable DURA™
Label	<input type="text" value="1"/>	1 = Std. label                      X = Special label
PCBA	<input type="text" value="1"/>	1 = BA22 PCBA
Battery Type	<input type="text" value="1"/>	1 = 2850 mAh
Enclosure	<input type="text" value="1"/>	1 = Std. enclosure (PP)
Software	<input type="text" value="1"/>	1 = Std. BA22 SW
ID (PCP2.0 address)	<input type="text" value="1"/>	1 = Auto-addressing                      (replaces all previous ID numbers)

Chosen item number:

**BA221W111111**

## Dimensions

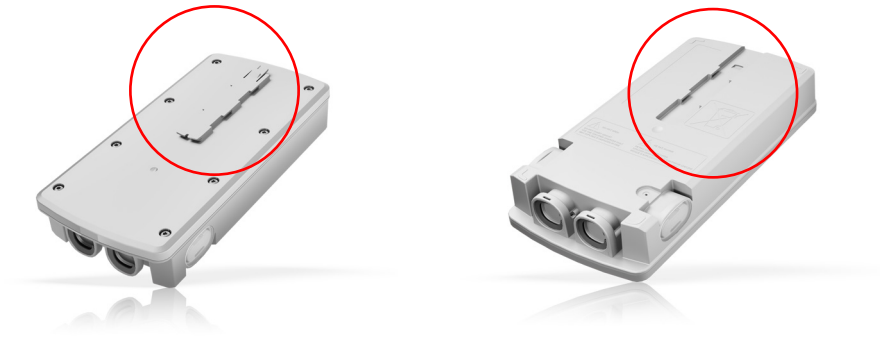
All dimensions are in millimeters (mm).



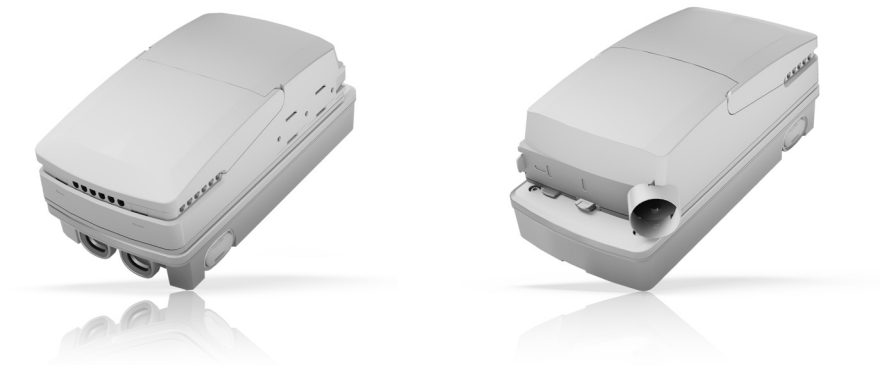
Drawing number: 1072W4000

## Mounting

The BA22 battery is equipped with the LINAk mounting clip system, which allows the user to easily mount the control box on top of the battery or mount the battery to the frame of the application, with the mounting bracket seen below.



BA22 mounted with CA/CO control box.

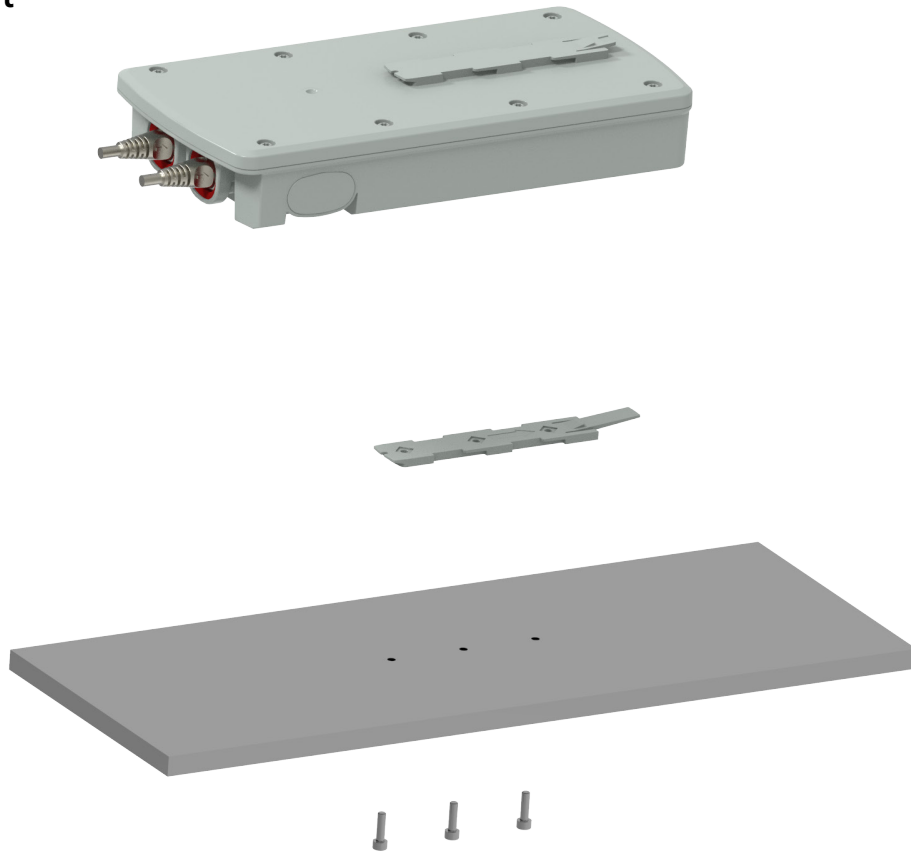


2 x BA22 batteries stacked.

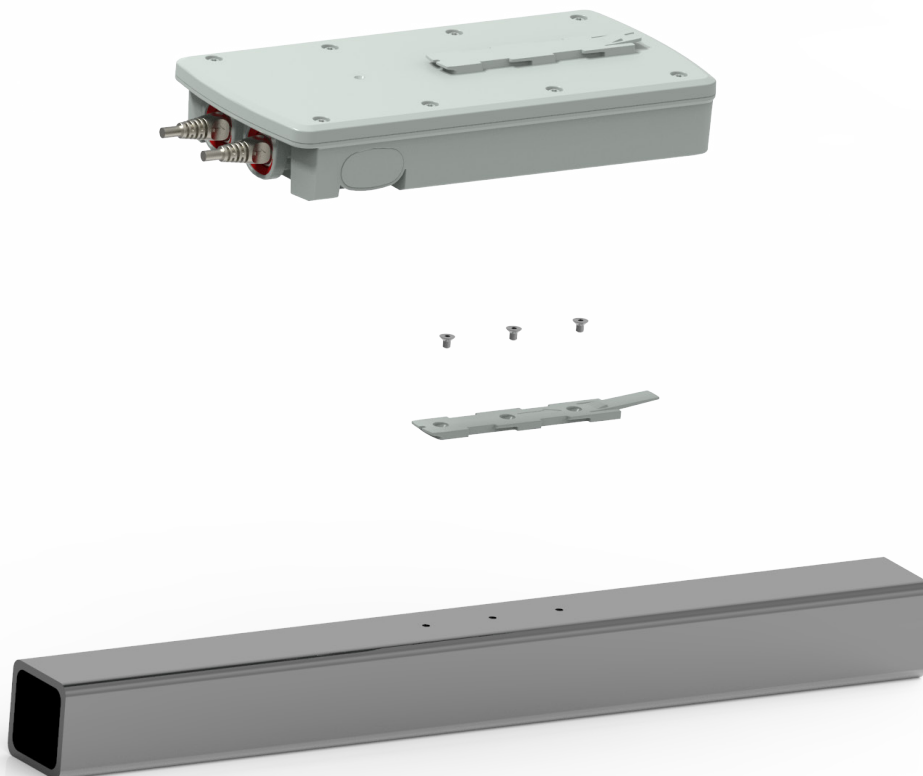


## Mounting possibilities

### Mounted with nut



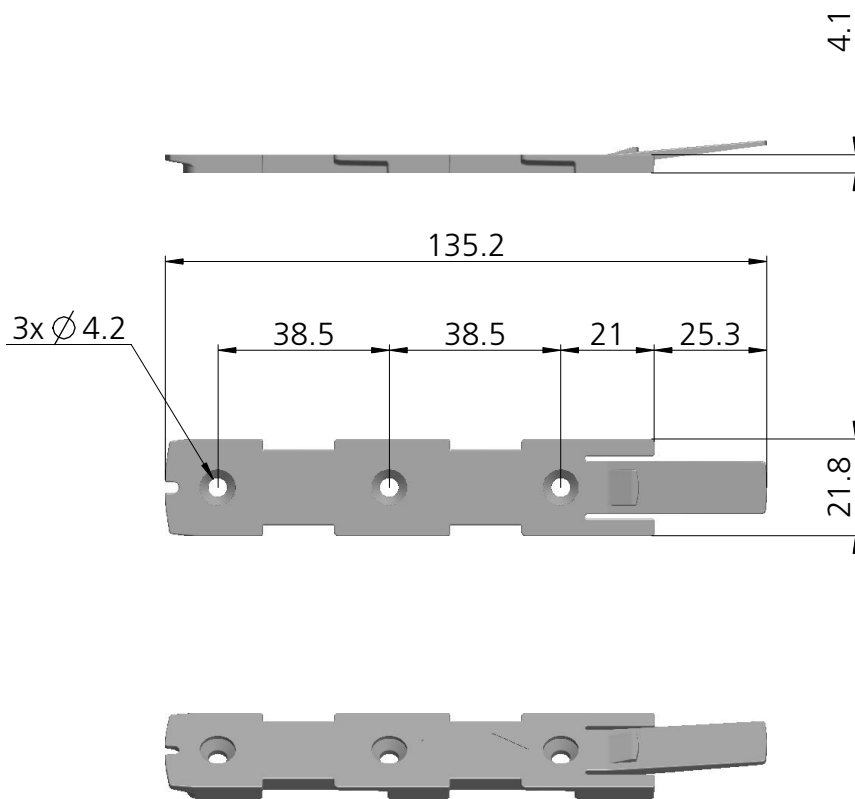
### Mounted without nut



## Mounting brackets

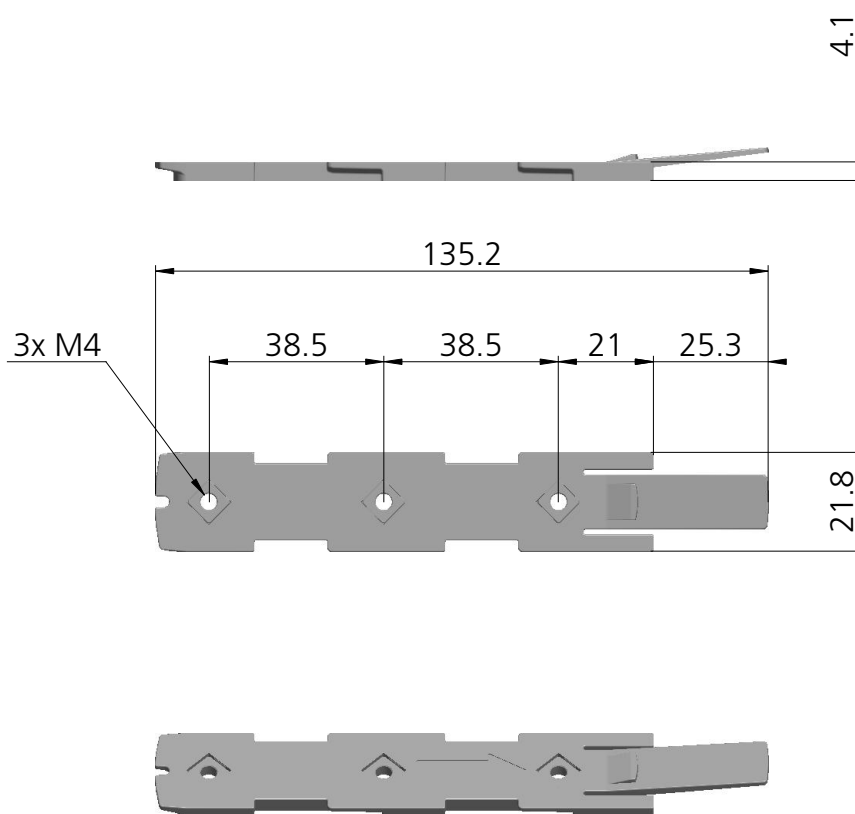
All dimensions are in millimeters (mm).

### Long-tail bracket



Drawing No.: 1015W4026

### Long-tail bracket with nut



Drawing No.: 1015W4027

# Contacts

## FACTORIES

Denmark - Headquarters  
LINAK A/S  
Phone: +45 73 15 15 15  
Fax: +45 74 45 80 48  
Fax (Sales): +45 73 15 16 13  
Web: www.linak.com

China  
LINAK (Shenzhen) Actuator Systems, Ltd.  
Phone: +86 755 8610 6656  
Phone: +86 755 8610 6990  
Web: www.linak.cn

Slovakia  
LINAK Slovakia s.r.o.  
Phone: +421 51 7563 444  
Web: www.linak.sk

Thailand  
LINAK APAC Ltd.  
Phone: +66 33 265 400  
Web: www.linak.com

USA  
LINAK U.S. Inc.  
Americas Headquarters  
Phone: +1 502 253 5595  
Fax: +1 502 253 5596  
Web: www.linak-us.com  
www.linak-latinamerica.com

## SUBSIDIARIES

Australia  
LINAK Australia Pty. Ltd  
Phone: +61 3 8796 9777  
Fax: +61 3 8796 9778  
E-mail: sales@linak.com.au  
Web: www.linak.com.au

Austria  
LINAK Zweigniederlassung - Österreich (Wien)  
Phone: +43 (1) 890 7446  
Fax: +43 (1) 890 744615  
E-mail: info@linak.de  
Web: www.linak.at - www.linak.hu

Belgium  
LINAK Actuator-Systems NV/SA  
(Belgium & Luxembourg)  
Phone: +32 (0)9 230 01 09  
E-mail: beinfo@linak.be  
Web: www.linak.be - www.fr.linak.be

Brazil  
LINAK Do Brasil Comércio De Atuadores Ltda.  
Phone: +55 (11) 2832 7070  
Fax: +55 (11) 2832 7060  
E-mail: info@linak.com.br  
Web: www.linak.com.br

Canada  
LINAK Canada Inc.  
Phone: +1 502 253 5595  
Fax: +1 416 255 7720  
E-mail: info@linak.ca  
Web: www.linak-us.com

Czech Republic  
LINAK C&S s.r.o.  
Phone: +42 058 174 1814  
Fax: +42 058 170 2452  
E-mail: info@linak.cz  
Web: www.linak.cz - www.linak.sk

Denmark - International  
LINAK International  
Phone: +45 73 15 15 15  
E-mail: info@linak.com  
Web: www.linak.com

Denmark - Sales  
LINAK Danmark A/S  
Phone: +45 86 80 36 11  
Fax: +45 86 82 90 51  
E-mail: linak@linak-silkeborg.dk  
Web: www.linak.dk

Finland  
LINAK OY  
Phone: +358 10 841 8700  
E-mail: linak@linak.fi  
Web: www.linak.fi

France  
LINAK France E.U.R.L  
Phone: +33 (0) 2 41 36 34 34  
Fax: +33 (0) 2 41 36 35 00  
E-mail: linak@linak.fr  
Web: www.linak.fr

Germany  
LINAK GmbH  
Phone: +49 6043 9655 0  
Fax: +49 6043 9655 60  
E-mail: info@linak.de  
Web: www.linak.de

India  
LINAK A/S India Liaison Office  
Phone: +91 120 4531797  
Fax: +91 120 4786428  
E-mail: info@linak.in  
Web: www.linak.in

Ireland  
LINAK UK Limited (Ireland)  
Phone: +44 (0)121 544 2211  
Fax: +44 (0)121 544 2552  
+44 (0)796 855 1606 (UK Mobile)  
+35 387 634 6554 (Rep.of Ireland Mobile)  
E-mail: sales@linak.co.uk  
Web: www.linak.co.uk

Italy  
LINAK ITALIA S.r.l.  
Phone: +39 02 48 46 33 66  
Fax: +39 02 48 46 82 52  
E-mail: info@linak.it  
Web: www.linak.it

Japan  
LINAK K.K.  
Phone: 81-45-533-0802  
Fax: 81-45-533-0803  
E-mail: linak@linak.jp  
Web: www.linak.jp

Malaysia  
LINAK Actuators Sdn. Bhd.  
Phone: +60 4 210 6500  
Fax: +60 4 226 8901  
E-mail: info@linak-asia.com  
Web: www.linak.my

Netherlands  
LINAK Actuator-Systems B.V.  
Phone: +31 76 5 42 44 40 /  
+31 76 200 11 10  
E-mail: info@linak.nl  
Web: www.linak.nl

New Zealand  
LINAK New Zealand Ltd  
Phone: +64 9580 2071  
Fax: +64 9580 2072  
E-mail: nzsales@linak.com.au  
Web: www.linak.com.au

Norway  
LINAK Norge AS  
Phone: +47 32 82 90 90  
E-mail: info@linak.no  
Web: www.linak.no

Poland  
LINAK Polska  
LINAK Danmark A/S (Spółka Akcyjna)  
Phone: +48 22 295 09 70 /  
+48 22 295 09 71  
E-mail: info@linak.pl  
Web: www.linak.pl

Republic of Korea  
LINAK Korea Ltd.  
Phone: +82 2 6231 1515  
Fax: +82 2 6231 1516  
E-mail: info@linak.kr  
Web: www.linak.kr

Slovakia  
LINAK Slovakia S.R.O.  
Phone: +421 51 7563 444  
Web: www.linak.sk

Spain  
LINAK Actuadores, S.L.u  
Phone: +34 93 588 27 77  
Fax: +34 93 588 27 85  
E-mail: esma@linak.es  
Web: www.linak.es

Sweden  
LINAK Scandinavia AB  
Phone: +46 8 732 20 00  
Fax: +46 8 732 20 50  
E-mail: info@linak.se  
Web: www.linak.se

Switzerland  
LINAK AG  
Phone: +41 43 388 31 88  
Fax: +41 43 388 31 87  
E-mail: info@linak.ch  
Web: www.linak.ch - www.fr.linak.ch  
www.it.linak.ch

Taiwan  
LINAK (Shenzhen) Actuator systems Ltd.  
Taiwan Representative office  
Phone: +886 2 272 90068  
Fax: +886 2 272 90096  
E-mail: sales@linak.com.tw  
Web: www.linak.com.tw

Turkey  
LINAK İth. İhr. San. ve Tic. A.Ş.  
Phone: +90 312 4726338  
Fax: +90 312 4726635  
E-mail: info@linak.com.tr  
Web: www.linak.com.tr

United Kingdom  
LINAK UK Limited  
Phone: +44 (0)121 544 2211  
Fax: +44 (0)121 544 2552  
E-mail: sales@linak.co.uk  
Web: www.linak.co.uk

## DISTRIBUTORS

Argentina  
Novotec Argentina SRL  
Phone: 011-4303-8989 / 8900  
Fax: 011-4032-0184  
E-mail: info@novotecargentina.com  
Web: www.novotecargentina.com

Colombia  
MEM Ltda  
Phone: +[57] (1) 334-7666  
Fax: +[57] (1) 282-1684  
E-mail: servicioalcliente@memltda.com.co  
Web: www.mem.net.co

India  
Mechatronics Control Equipments India Pvt Ltd  
Phone: +91-44-28558484, 85  
E-mail: bala@mechatronicscontrol.com  
Web: www.mechatronicscontrol.com

Indonesia  
PT. Himalaya Everest Jaya  
Phone: +6 221 544 8956 /+6 221 544 8965  
Fax: +6 221 619 1925  
Fax (Sales): +6 221 619 4658  
E-mail: hejplastic-div@centrin.net.id  
Web: www.hej.co.id

Israel  
NetivTech LTD  
Phone: +972 55-2266-535  
Fax: +972 2-9900-560  
Email: info@NetivTech.com  
Web: www.netivtech.com

Singapore  
Servo Dynamics Pte Ltd  
Phone: +65 6844 0288  
Fax: +65 6844 0070  
E-mail: servodynamics@servo.com.sg

South Africa  
Industrial Specialised Applications CC  
Phone: +27 011 466 0346  
E-mail: gartht@isagroup.co.za  
Web: www.isaza.co.za

United Arab Emirates  
Mechatronics  
Phone: +971 4 267 4311  
Fax: +971 4 267 4312  
E-mail: mechtron@emirates.net.ae

## Terms of use

LINAK® takes great care in providing accurate and up-to-date information on its products. However, the user is responsible for determining the suitability of LINAK products for a specific application. Due to continual development, LINAK products are subject to frequent modifications and changes. LINAK reserves the rights to conduct modifications, updates, and changes without any prior notice. For the same reason, LINAK cannot guarantee the correctness and actual status of imprinted information on its products.

LINAK uses its best efforts to fulfil orders. However, for the reasons mentioned above, LINAK cannot guarantee availability of any particular product at any given time. LINAK reserves the right to discontinue the sale of any product displayed on its website or listed in its catalogues or in other written material created and produced by LINAK, LINAK subsidiaries, or LINAK affiliates. All sales are subject to the 'Standard Terms of Sale and Delivery for LINAK A/S' available on LINAK websites. LINAK and the LINAK logotype are registered trademarks of LINAK A/S. All rights reserved.



WE IMPROVE YOUR LIFE