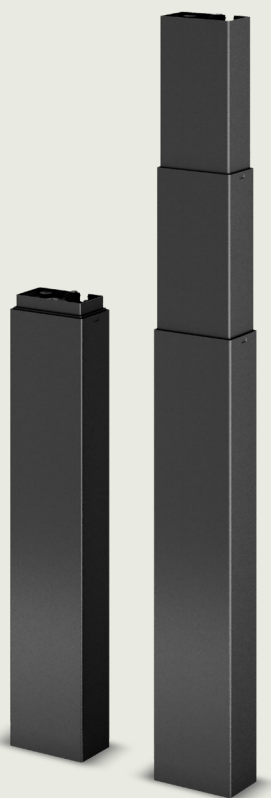


# DESKLIFT™ DL12

## Data Sheet





The DESKLINE® DL12 column sets the standards for inline columns. It is a compact three-part inline column, which is a perfect choice for a wide range of desk applications. The DL12 is pleasing to the eye with invisible gliding pads and minimum spacing between the column profiles, which provides a streamlined silhouette. The compact, rectangular column fulfils market requirements for a low built-in dimension and, at the same time, a long stroke length. The DL12 column is designed for desks without crossbar, ensuring more leg space and more design options, and it is available in three standard colours (black, grey and white).

The DL12 product programme offers various options such as:

- trim rings in black, grey or white for optimised appearance
- customised colours
- XL version optimised for display and monitor stands

As standard, the DL12 features PIEZO™; an integrated collision protection sensor. The PIEZO minimises the risk of damage to a desk caused by collision.

The DL12 columns are controlled by a DESKLINE® control box (CBD). The control box ensures optimal parallel drive and a pleasantly low sound level. Depending on the control box, the DL12 columns can be used as a single column or with 2, 3 or 4 columns in parallel systems, or up to 16 columns in multi-parallel systems. A variety of desk panels can be used for adjusting the desk. A Desk Sensor™ 1 anti-collision dongle can be plugged into the control box to limit material damage to a desk or an object in case a collision occurs during driving of the desk.

## Features/Options/Compatibility/Usage

### Features

- Three-part inline column
- Cable pre-mounted for connection to the CBD with a separate DESKLINE® motor cable
- In combination with CBD6S:

Parameter	With CBD6S (300 W or 200 W)
Max. speed (unloaded)	38 mm/s
Max. load (per column)	700 N
Self-lock (per column)	700 N

- Installation dimension: 518 mm or 545 mm
- Stroke length: 660 mm
- Weight: Approximately 6.6 kg
- Dimensions column: 60 x 100 mm (see also [Dimension drawings](#))
- Colour: Available in black (RAL 9005), grey (RAL 9006), or white (RAL 9016)
- Invisible gliding pads for optimised design
- Minimum spacing between the profiles for optimised design
- PIEZO™: Integrated sensor minimising the risk of damage to the desk by avoiding collision
- Low sound level
- PVC-Free™

### Options

- Customised colours
- Available with trim rings in black, grey, or white
- Motor housing adapter (black) pre-mounted or as a separate unit
- Extended XL-version dedicated for flat screens

In combination with CBD6S:

Parameter	With CBD6S (300 W or 200 W)
Max. speed (unloaded)	38 mm/s
Max. load (per column)	600 N
Self-lock (per column)	600 N

- Installation dimension: 700 mm
- Stroke length: 999 mm
- Weight: Approximately 8.5 kg
- Colours: black (RAL 9005), grey (RAL 9006) and white (RAL 9016)
- Duty cycle: 5% ≈ 1 minute continuous use at full load, followed by 19 minutes pause

## Compatibility

- DESKLINE® control boxes
- DESKLINE® controls

## Usage

- Typical applications:
  - Office desks
  - TV lifts
- Single or 2, 3 or 4 parallel drive or even multi-parallel with up to 16 columns
- Duty cycle: 10% ≈ max. 1 minute continuous use at full load, followed by 9 minutes pause
- For indoor use in dry locations

Parameter	Operation	Storage and transportation
Temperature	10 to 40 °C	-10 to +50 °C
Relative humidity	20% to 80% - non-condensing	20% to 80% - non-condensing
Atmospheric pressure	700 to 1060 hPa	700 to 1060 hPa
Altitude	Max. 2000 m	Max. 2000 m

## Ordering

DL12		
SPINDLE TYPE	0	0 = 20 mm pitch (Standard)
TRIM RINGS	0	0 = No trim rings A = Grey trim rings B = Black trim rings D = White trim rings
OPTION	0	0 = None
COLOUR	B	A = Grey (RAL 9006) B = Black (RAL 9005) D = White (RAL 9016)
OPTION	0	0 = Standard M = Motor-housing adapter mounted *
MOTOR TYPE	E	E = PIEZO
STROKE LENGTH	660	660 = 660 mm 999 = 999 mm (XL)
INSTALLATION DIM.	518	545 = 545 mm 518 = 518 mm (BIFMA) 700 = 700 mm (XL)

**DL12000B0E660518**

\* Not available for XL version



All cables for creating a fully connected DESKLINE® system must be ordered separately. We offer a range of different versions and lengths. To get information such as ordering number, and colour and length of the cables, please contact your local LINAK.



The motor-housing adapter can be ordered as a separate part, article number: HOUSINGDL12-001. The motor-housing adapter is available in black only. With the motor-housing adapter mounted, the installation dimension is increased by 42 mm (see [Dimension drawings](#)).

## Technical data

### Performance curves

The following data is measured in connection with 2 to 4 inline lifting columns and control box CBD6S. The desk is driving upwards.



The curves elow apply to a centrally placed load. With moment load, there will be an increased friction in the columns, which will reduce the lifting force correspondingly.

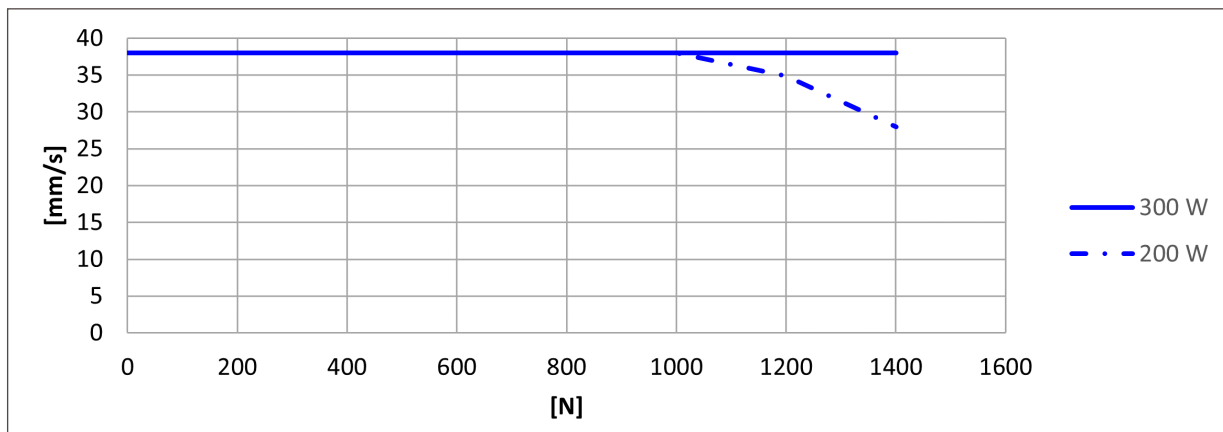


Figure 1 Two columns (equally loaded) with CBD6S

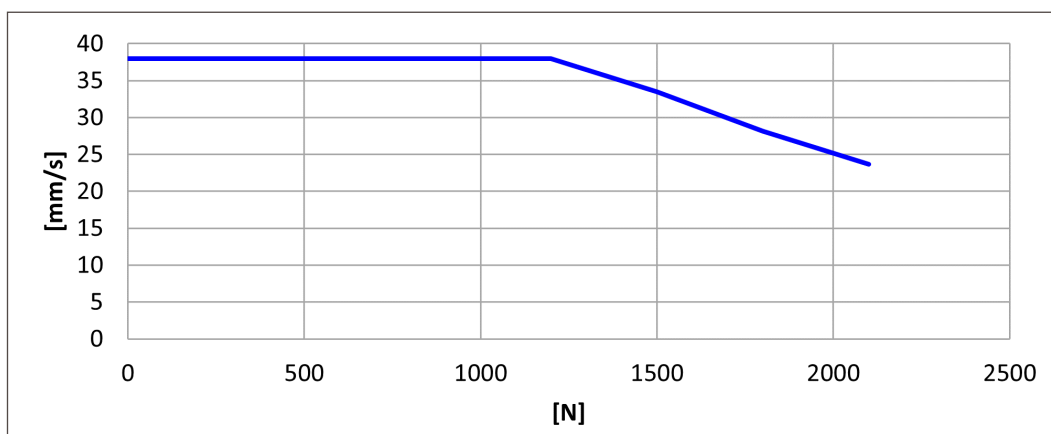


Figure 2 Three columns (equally loaded) with CBD6S (300 W)

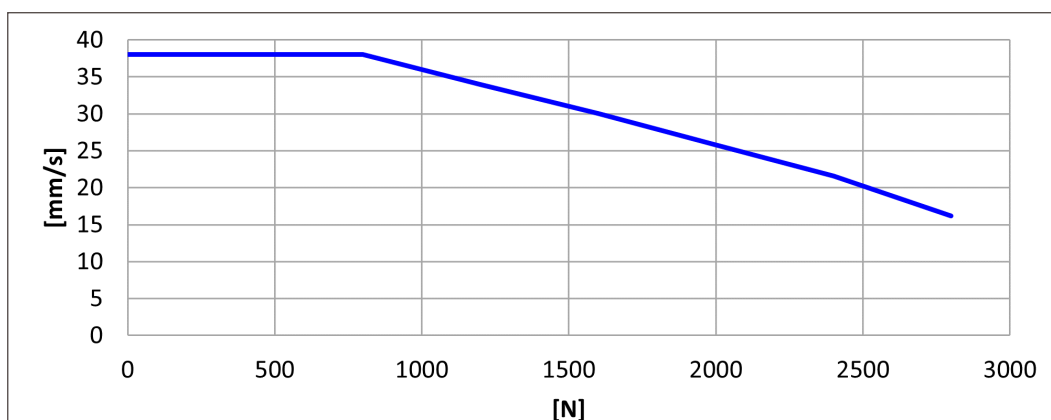


Figure 3 Four columns (equally loaded) with CBD6S (300 W)



The DESKLINE® DL12 system may only be used in push applications.

## Bending moment

Bending moment (MY):

Standard: Max. 150 Nm dynamic

XL: Max. 100 Nm dynamic

MY is the bending in direction of the Y-axis.

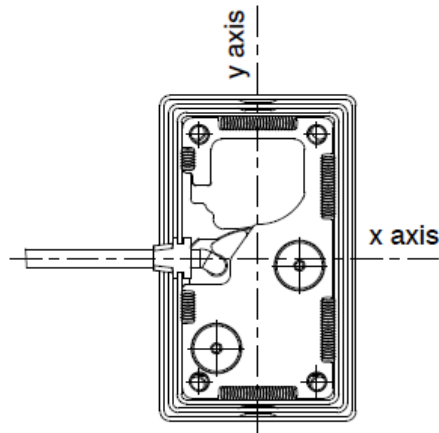


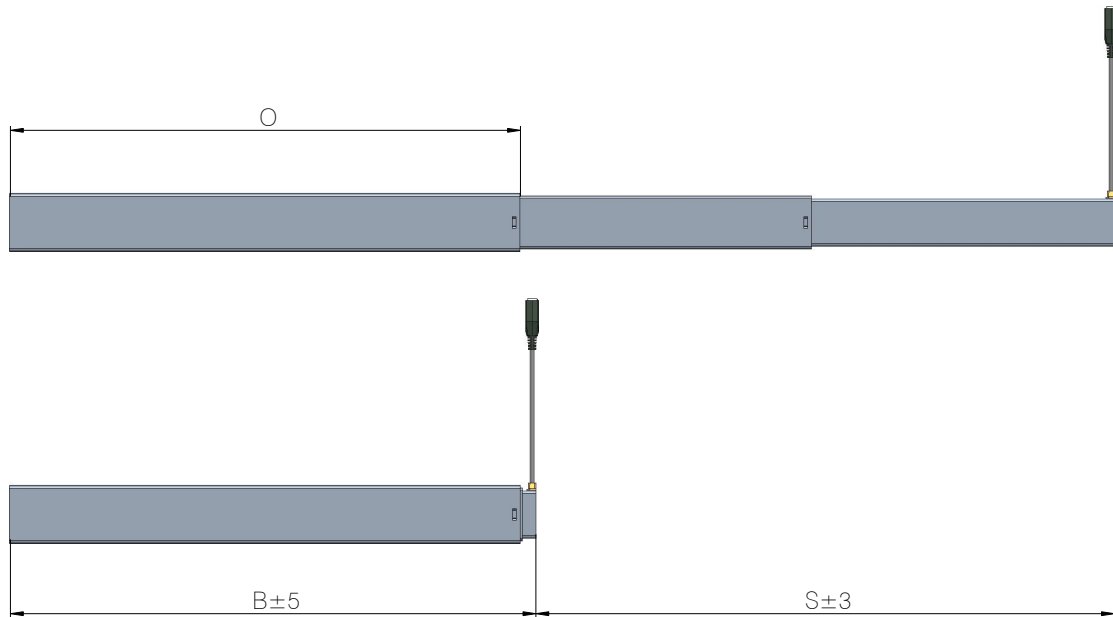
Figure 4 X and Y axes

## Dimension drawings



All dimensions are in mm.

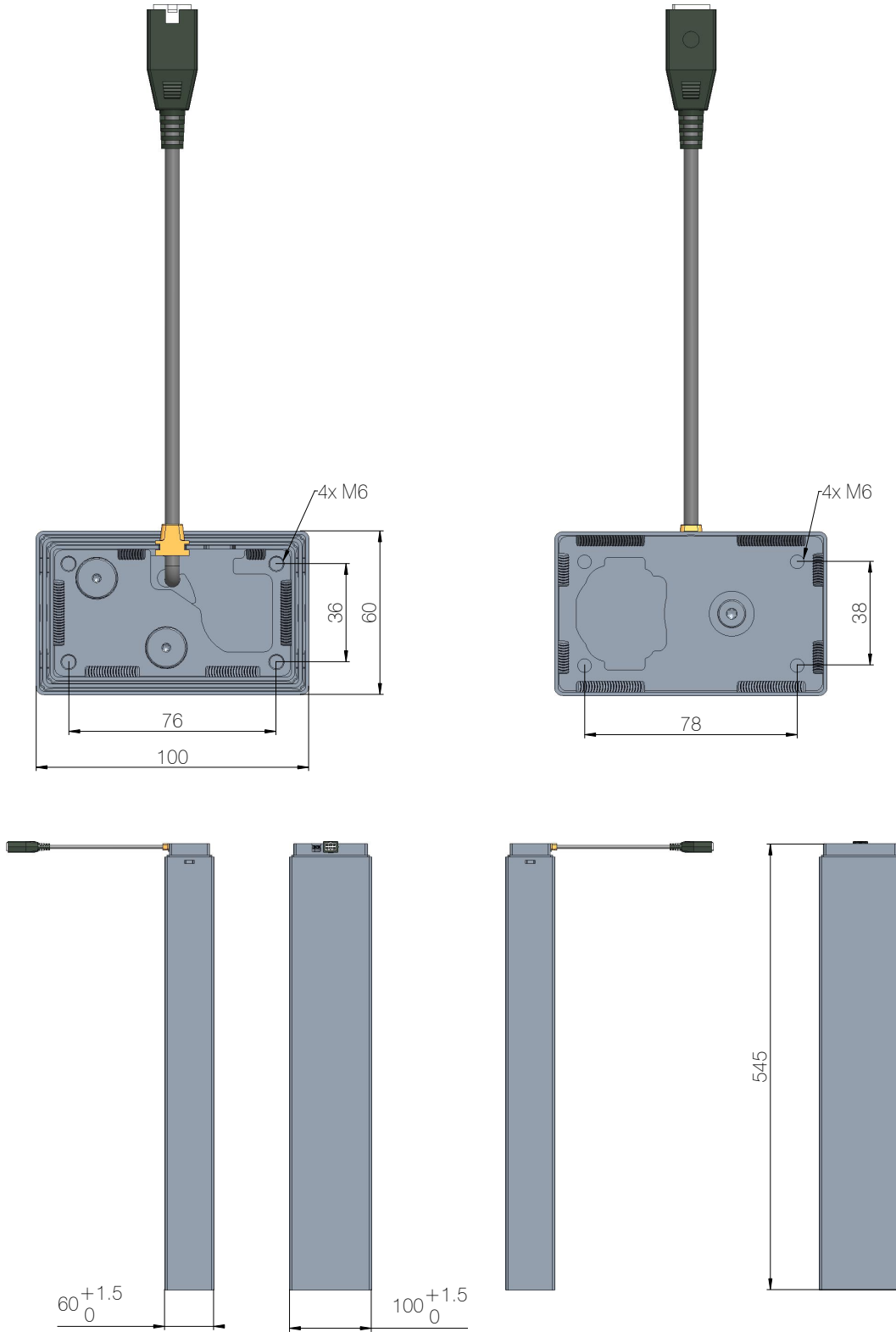
### Columns



Drawing no. 0634335

Version	Combination code	B (Built-in length)	S (Stroke length)	O (Outer profile length)
EU	DL12xxxxxx660545	545	660	531
BIFMA	DL12xxxxxx660518	518	660	504
XL	DL12xxxxxx999700	700	999	664

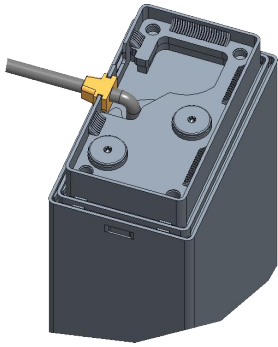
Figure 5 Built-in length, stroke length, and outer profile length



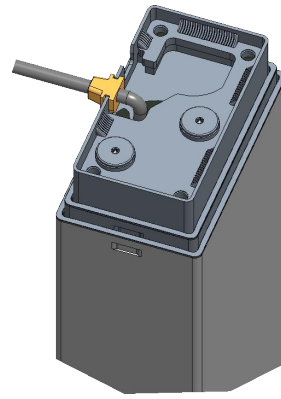
Drawing no. 0634335

Figure 6 Top, bottom plate, and profile

## Trim rings



Without trim rings

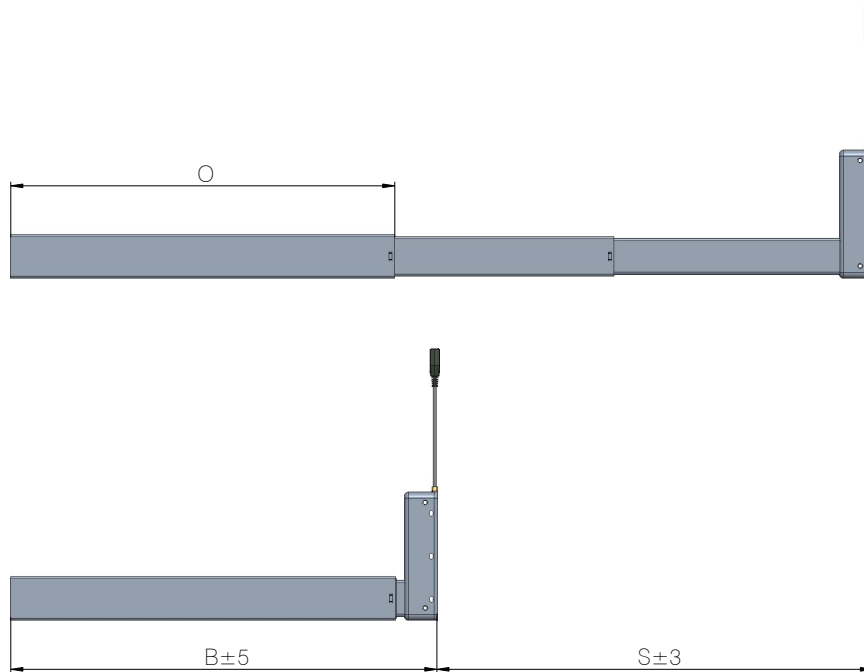


With trim ring

Drawing no. 0634335

Figure 7 Trim ring options

**DL12 with motor housing**



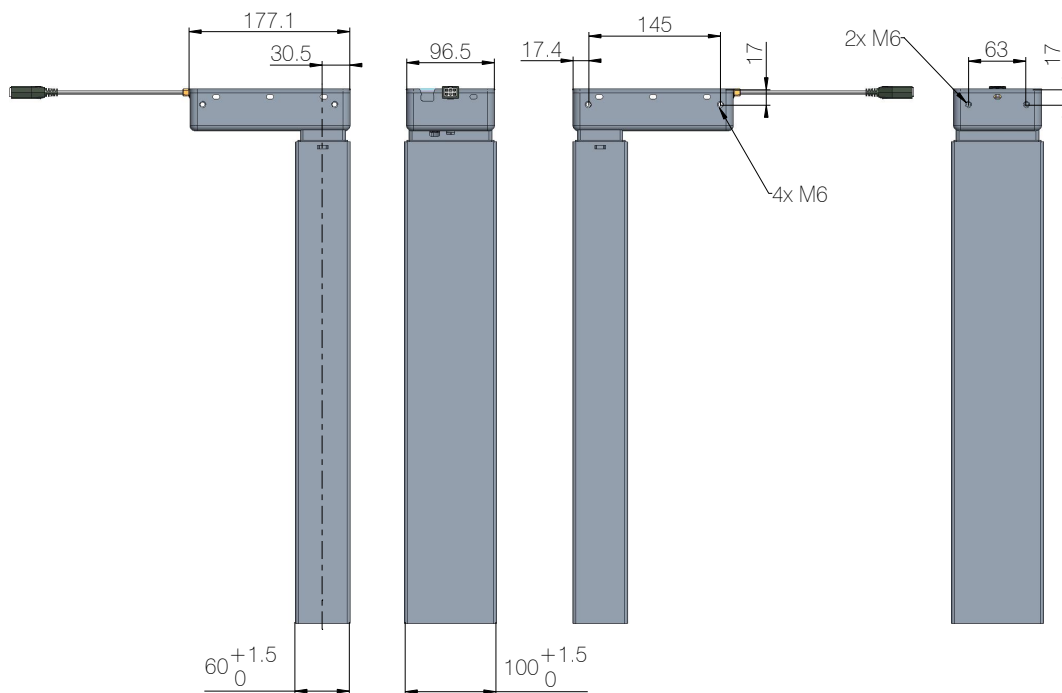
Drawing no. 0634335

Version	Combination code	B (Built-in length)	S (Stroke length)	O (Outer profile length)
EU	DL12xxxxM660545	587	660	531
BIFMA	DL12xxxxM660518	560	660	504
XL	DL12xxxxM999700	742	999	664

Figure 8 DL12 with motor housing



Due to the motor housing, the installation dimension is 42 mm larger than the ordered dimension.



Drawing no. 0634335

Figure 9 Profile

# Contacts

## FACTORIES

Denmark - Headquarters  
LINAK A/S  
Phone: +45 73 15 15 15  
Fax: +45 74 45 80 48  
Fax (Sales): +45 73 15 16 13  
Web: www.linak.com

China  
LINAK (Shenzhen) Actuator Systems, Ltd.  
Phone: +86 755 8610 6656  
Phone: +86 755 8610 6990  
Web: www.linak.cn

Slovakia  
LINAK Slovakia s.r.o.  
Phone: +421 51 7563 444  
Web: www.linak.sk

Thailand  
LINAK APAC Ltd.  
Phone: +66 33 265 400  
Web: www.linak.com

USA  
LINAK U.S. Inc.  
Americas Headquarters  
Phone: +1 502 253 5595  
Fax: +1 502 253 5596  
Web: www.linak-us.com  
www.linak-latinamerica.com

## SUBSIDIARIES

Australia  
LINAK Australia Pty. Ltd  
Phone: +61 3 8796 9777  
Fax: +61 3 8796 9778  
E-mail: sales@linak.com.au  
Web: www.linak.com.au

Austria  
LINAK Zweigniederlassung - Österreich (Wien)  
Phone: +43 (1) 890 7446  
Fax: +43 (1) 890 744615  
E-mail: info@linak.de  
Web: www.linak.at - www.linak.hu

Belgium  
LINAK Actuator-Systems NV/SA  
(Belgium & Luxembourg)  
Phone: +32 (0)9 230 01 09  
E-mail: beinfo@linak.be  
Web: www.linak.be - www.fr.linak.be

Brazil  
LINAK Do Brasil Comércio De Atuadores Ltda.  
Phone: +55 (11) 2832 7070  
Fax: +55 (11) 2832 7060  
E-mail: info@linak.com.br  
Web: www.linak.com.br

Canada  
LINAK Canada Inc.  
Phone: +1 502 253 5595  
Fax: +1 416 255 7720  
E-mail: info@linak.ca  
Web: www.linak-us.com

Czech Republic  
LINAK C&S s.r.o.  
Phone: +42 058 174 1814  
Fax: +42 058 170 2452  
E-mail: info@linak.cz  
Web: www.linak.cz - www.linak.sk

Denmark - International  
LINAK International  
Phone: +45 73 15 15 15  
E-mail: info@linak.com  
Web: www.linak.com

Denmark - Sales  
LINAK Danmark A/S  
Phone: +45 86 80 36 11  
Fax: +45 86 82 90 51  
E-mail: linak@linak-silkeborg.dk  
Web: www.linak.dk

Finland  
LINAK OY  
Phone: +358 10 841 8700  
E-mail: linak@linak.fi  
Web: www.linak.fi

France  
LINAK France E.U.R.L.  
Phone: +33 (0) 2 41 36 34 34  
Fax: +33 (0) 2 41 36 35 00  
E-mail: linak@linak.fr  
Web: www.linak.fr

Germany  
LINAK GmbH  
Phone: +49 6043 9655 0  
Fax: +49 6043 9655 60  
E-mail: info@linak.de  
Web: www.linak.de

India  
LINAK A/S India Liaison Office  
Phone: +91 120 4531797  
Fax: +91 120 4786428  
E-mail: info@linak.in  
Web: www.linak.in

Ireland  
LINAK UK Limited (Ireland)  
Phone: +44 (0)121 544 2211  
Fax: +44 (0)121 544 2552  
+44 (0)796 855 1606 (UK Mobile)  
+35 387 634 6554 (Rep.of Ireland Mobile)  
E-mail: sales@linak.co.uk  
Web: www.linak.co.uk

Italy  
LINAK ITALIA S.r.l.  
Phone: +39 02 48 46 33 66  
Fax: +39 02 48 46 82 52  
E-mail: info@linak.it  
Web: www.linak.it

Japan  
LINAK K.K.  
Phone: 81-45-533-0802  
Fax: 81-45-533-0803  
E-mail: linak@linak.jp  
Web: www.linak.jp

Malaysia  
LINAK Actuators Sdn. Bhd.  
Phone: +60 4 210 6500  
Fax: +60 4 226 8901  
E-mail: info@linak-asia.com  
Web: www.linak.my

Netherlands  
LINAK Actuator-Systems B.V.  
Phone: +31 76 5 42 44 40 /  
+31 76 200 11 10  
E-mail: info@linak.nl  
Web: www.linak.nl

New Zealand  
LINAK New Zealand Ltd  
Phone: +64 9580 2071  
Fax: +64 9580 2072  
E-mail: nzsales@linak.com.au  
Web: www.linak.com.au

Norway  
LINAK Norge AS  
Phone: +47 32 82 90 90  
E-mail: info@linak.no  
Web: www.linak.no

Poland  
LINAK Polska  
LINAK Danmark A/S (Spółka Akcyjna)  
Phone: +48 22 295 09 70 /  
+48 22 295 09 71  
E-mail: info@linak.pl  
Web: www.linak.pl

Republic of Korea  
LINAK Korea Ltd.  
Phone: +82 2 6231 1515  
Fax: +82 2 6231 1516  
E-mail: info@linak.kr  
Web: www.linak.kr

Slovakia  
LINAK Slovakia S.R.O.  
Phone: +421 51 7563 444  
Web: www.linak.sk

Spain  
LINAK Actuadores, S.L.u  
Phone: +34 93 588 27 77  
Fax: +34 93 588 27 85  
E-mail: esma@linak.es  
Web: www.linak.es

Sweden  
LINAK Scandinavia AB  
Phone: +46 8 732 20 00  
Fax: +46 8 732 20 50  
E-mail: info@linak.se  
Web: www.linak.se

Switzerland  
LINAK AG  
Phone: +41 43 388 31 88  
E-mail: info@linak.ch  
Web: www.linak.ch - www.fr.linak.ch  
www.it.linak.ch

Taiwan  
LINAK (Shenzhen) Actuator systems Ltd.  
Taiwan Representative office  
Phone: +886 2 272 90068  
Fax: +886 2 272 90096  
E-mail: sales@linak.com.tw  
Web: www.linak.com.tw

Turkey  
LINAK İth. San. ve Tic. A.Ş.  
Phone: +90 312 4726338  
Fax: +90 312 4726635  
E-mail: info@linak.com.tr  
Web: www.linak.com.tr

United Kingdom  
LINAK UK Limited  
Phone: +44 (0)121 544 2211  
Fax: +44 (0)121 544 2552  
E-mail: sales@linak.co.uk  
Web: www.linak.co.uk

## DISTRIBUTORS

Argentina  
Novotec Argentina SRL  
Phone: 011-4303-8989 / 8900  
Fax: 011-4032-0184  
E-mail: info@novotecargentina.com  
Web: www.novotecargentina.com

Colombia  
MEM Ltda  
Phone: +[57] (1) 334-7666  
Fax: +[57] (1) 282-1684  
E-mail: servicioalcliente@memlda.com.co  
Web: www.mem.net.co

India  
Mechatronics Control Equipments India Pvt Ltd  
Phone: +91-44-28558484, 85  
E-mail: bala@mechatronicscontrol.com  
Web: www.mechatronicscontrol.com

Indonesia  
PT. Himalaya Everest Jaya  
Phone: +6 221 544 8956 /+6 221 544 8965  
Fax: +6 221 619 1925  
Fax (Sales): +6 221 619 4658  
E-mail: hejplastic-div@centrin.net.id  
Web: www.hej.co.id

Israel  
NetivTech LTD  
Phone: +972 55-2266-535  
Fax: +972 2-9900-560  
Email: info@NetivTech.com  
Web: www.netivtech.com

Singapore  
Servo Dynamics Pte Ltd  
Phone: +65 6844 0288  
Fax: +65 6844 0070  
E-mail: servodynamics@servo.com.sg

South Africa  
Industrial Specialised Applications CC  
Phone: +27 011 466 0346  
E-mail: gartht@isagroup.co.za  
Web: www.isaza.co.za

United Arab Emirates  
Mechatronics  
Phone: +971 4 267 4311  
Fax: +971 4 267 4312  
E-mail: mechtron@emirates.net.ae

## Terms of use

LINAK® takes great care in providing accurate and up-to-date information on its products. However, the user is responsible for determining the suitability of LINAK products for a specific application. Due to continual development, LINAK products are subject to frequent modifications and changes. LINAK reserves the rights to conduct modifications, updates, and changes without any prior notice. For the same reason, LINAK cannot guarantee the correctness and actual status of imprinted information on its products.

LINAK uses its best efforts to fulfil orders. However, for the reasons mentioned above, LINAK cannot guarantee availability of any particular product at any given time. LINAK reserves the right to discontinue the sale of any product displayed on its website or listed in its catalogues or in other written material created and produced by LINAK, LINAK subsidiaries, or LINAK affiliates. All sales are subject to the 'Standard Terms of Sale and Delivery for LINAK A/S' available on LINAK websites. LINAK and the LINAK logotype are registered trademarks of LINAK A/S. All rights reserved.



WE IMPROVE YOUR LIFE