



DPI User Manual

Contents

Preface	3
Important safety information	4
Informations importantes en matière de sécurité.....	5
Repairs	8
EU Declaration of Conformity	9
Manufacturer's declaration.....	10
The DESKLINE® product.....	12
Warranty	12
Maintenance	12
Cleaning the desk panel	12
Products	13
Installation	14
Important notes.....	14
Placing the DPI	14
Mounting the DPI.....	15
Operation	16
Settings	17
Height.....	18
Units	18
Favourite positions	19
Limits	20
Restore.....	20
Exit.....	20
Repair and disposal	21
Accessories and spare parts.....	21
Contacts.....	22

Preface

Dear User,

We are delighted that you have chosen a LINAK® product.

LINAK systems are high-tech products based on many years of experience in the manufacture and development of actuators, lifting columns, desk frames, electric control boxes, controls, batteries, accessories and chargers.

This User Manual does not address the end user. It is intended as a source of information for the equipment or system manufacturer only, and it will tell you how to install, use and maintain your LINAK electronics. The manufacturer of the end product has the responsibility to provide a User Manual, where relevant safety information from this manual is passed on to the end user.

We are convinced that your LINAK product/system will give you many years of problem-free operation.

Before our products leave the factory, they undergo both function and quality testing. Should you, nevertheless, experience problems with your product/system, you are always welcome to contact your supplier.

LINAK subsidiaries and some distributors situated all over the world have authorised service centres, which are always ready to help you. Locate your local contact information on the back page.

LINAK provides a warranty on all products, see [Warranty](#).

This warranty, however, is subject to correct use in accordance with the specifications, maintenance being done correctly, and any repairs being carried out at a service centre, which is authorised to repair LINAK products.

Changes in installation and use of LINAK systems can affect their operation and durability. The products may only be opened by authorised personnel.

This User Manual has been written based on the present technical knowledge. LINAK reserves the right to carry out technical modifications and keeps the associated information updated.

LINAK A/S

Important safety information

Safe use of the system is possible only when this document is read completely and the instructions contained are strictly observed.

Failure to comply with instructions marked with the "NOTICE" symbol may result in serious damage to the system or one of its components.

Read all instructions before using this product.

Important safety information on LINAK® products can be found under the following heading(s):



DANGER

Failure to comply with these instructions will result in severe personal injury.



WARNING

Failure to comply with these instructions may result in severe personal injury.



CAUTION

Failure to comply with these instructions can result in minor personal injury.



NOTICE

Failure to comply with these instructions can result in property damage.

READ AND SAVE THESE INSTRUCTIONS

Informations importantes en matière de sécurité

Une utilisation sûre du système n'est possible que lorsque ce document est lu dans son intégralité et que les instructions qu'il contient sont strictement respectées.

Le non-respect des instructions marquées du symbole "AVIS" peut entraîner de graves dommages au système ou à l'un de ses composants.

Lisez toutes les instructions avant d'utiliser ce produit.

Des informations de sécurité importantes sur les produits LINAK® sont disponibles dans la ou les rubriques suivantes :



DANGER

Le non-respect de ces instructions entraînera des blessures graves.



AVERTISSEMENT

Le non-respect de ces instructions peut entraîner des blessures graves.



ATTENTION

Le non-respect de ces instructions peut entraîner des blessures corporelles légères.



AVIS

Le non-respect de ces instructions peut entraîner des dommages matériels.

LIRE ET CONSERVER CES INSTRUCTIONS

This device complies with part 15 of the FCC Rules. Operation is subject to the following two conditions:

- (1) This device may not cause harmful interference, and**
- (2) This device must accept any interference received, including interference that may cause undesired operation**

- **Statement – for all intentional and unintentional radiators:**

Changes or modifications not expressly approved by the party responsible for compliance could void the user's authority to operate the equipment.

- **Statement for digital devices for Class B:**

NOTE: This equipment has been tested and found to comply with the limits for a Class B digital device, pursuant to part 15 of the FCC Rules. These limits are designed to provide reasonable protection against harmful interference in a residential installation. This equipment generates, uses and can radiate radio frequency energy and, if not installed and used in accordance with the instructions, it may cause harmful interference to radio communications. However, there is no guarantee that interference will not occur in a particular installation. If this equipment does cause harmful interference to radio or television reception, which can be determined by turning the equipment off and on, the user is encouraged to try to correct the interference by one or more of the following measures:

- Reorient or relocate the receiving antenna.
- Increase the separation between the equipment and the receiver.
- Connect the equipment into an outlet on a circuit different from that to which the receiver is connected.
- Consult the dealer or an experienced radio/ TV technician for help.

This device contains licence-exempt transmitter(s)/receiver(s) that comply with Innovation, Science and Economic Development Canada's licence-exempt RSS(s). Operation is subject to the following two conditions:

1. This device may not cause interference.
2. This device must accept any interference, including interference that may cause undesired operation of the device.

L'émetteur/récepteur exempt de licence contenu dans le présent appareil est conforme aux CNR d'Innovation, Sciences et Développement économique Canada applicables aux appareils radio exempts de licence. L'exploitation est autorisée aux deux conditions suivantes:

1. L' appareil ne doit pas produire de brouillage;
2. L' appareil doit accepter tout brouillage radioélectrique subi, même si le brouillage est susceptible d' en compromettre le fonctionnement.

Labeling requirements:

This Class B digital apparatus complies with Canadian ICES-003.

Cet appareil numérique de la classe B est conforme à la norme NMB-003 du Canada.



WARNING

- This appliance can be used by children aged from 8 years and by persons with reduced physical, sensory or mental capabilities or lack of experience and knowledge if they have been given supervision or instruction concerning use of the appliance in a safe way and understand the hazards involved.
- Children shall not play with the appliance. Cleaning and user maintenance shall not be made by children without supervision.

Only for US and Canadian markets

- Persons who do not have the necessary experience or knowledge of the product/products must not use the product/products. Besides, persons with reduced physical, sensory or mental abilities must not use the product/products, unless they are under surveillance or they have been thoroughly instructed in the use of the apparatus by a person who is responsible for the safety of these persons.
- Moreover, children must be under surveillance to ensure that they do not play with the product.
- It is the operator's responsibility to ensure that there is free space for the application to move without risk for the operator or bystanders before operating the application.



AVERTISSEMENT

- Cet appareil peut-être utilisé par des enfants âgés de 8 ans et plus, ainsi que les personnes dont les capacités physiques, sensorielles ou mentales sont réduites ou ayant un manque d'expérience et de connaissance si elles ont bénéficié d'une surveillance ou d'instructions concernant l'utilisation de l'appareil en toute sécurité et compris les risques encourus.
- Les enfants ne doivent pas jouer avec l'appareil. Le nettoyage et l'entretien ne doivent pas être réalisés par des enfants sans surveillance

Seulement pour les marchés américains et canadiens

- Les personnes qui n'ont pas l'expérience ou les connaissances nécessaires sur le ou les produit(s) ne doivent pas le ou les utiliser. Par ailleurs, les personnes ayant des capacités physiques, sensorielles ou mentales réduites ne doivent pas utiliser le ou les produit(s), sauf si elles sont sous surveillance ou ont suivi une formation approfondie de l'utilisation de l'appareil par l'individu responsable de la sécurité de ces personnes.
- De plus, les enfants doivent-être sous surveillance afin de s'assurer qu'ils ne jouent pas avec le produit.
- Il est de la responsabilité de l'opérateur de s'assurer qu'il y a de l'espace libre pour que l'application puisse se déplacer sans risque pour l'opérateur ou les passants avant d'utiliser l'application..



CAUTION

Load on the table

Risk of injury to persons and of malfunction

- Do not overload the frame.
- Place heavy load centrally on the desk.
- Do not use the desk as a work bench.
- Do not use the frame for lifting persons.
- Do not stand on the desk while it is driving up or down.

Repairs



WARNING

Opening the product

Risk of injury to persons

- Do not open the DESKLINE® product.

In order to avoid the risk of malfunction, all DESKLINE® repairs must only be carried out by authorised LINAK workshops or repairers, as special tools must be used and special gaskets must be fitted. Lifting units under warranty must also be returned to authorised LINAK workshops.

EU Declaration of Conformity



EU DECLARATION OF CONFORMITY

LINAK A/S
Smedevænget 8
DK - 6430 Nordborg

hereby declares under our sole responsibility that LINAK actuator system items

Wireless accessory: BLE2LIN

Wireless handset: HC05BL, HC10BL, HC1ABL, HC10ECO, HC2xBL, HC30BL, HC40BL, HC60BL, BP10BL, DPG1B, DPG1C, DPG1M, DPI-C, FS3BL

complies with the **Radio Equipment Directive (RED) 2014/53/EU** (*OJ L 153, 22.5.2014, p. 62–106*) according to the standard:

Art.3.1 (a) Safety:

EN 62368-1:2014+A11:2017 (Harmonized to LVD) or

EN 60335-1:2012+AC:2014+A11:2014+A13:2017+A1:2019+A14:2019+A2:2019+A15:2021 (Harmonized to LVD)

Art.3.1 (a) Health:

EN 62479:2010 (Harmonized to LVD)

EN 50663:2017

Art. 3.1(b) EMC:

ETSI EN 301 489-1 V2.2.3;

ETSI EN 301 489-17 V3.3.1

Art. 3.2 Radio:

ETSI EN 300 328 V2.2.2

complies with Directive **2011/65/EU** of the European Parliament and of the Council of 8 June 2011 on the restriction of the use of certain hazardous substances in electrical and electronic equipment (*OJ L 174, 1.7.2011, p. 88–110*) and Directive **2015/863** (*OJ L 137, 4.6.2015, p. 10–12*) (amending Annex II to Directive 2011/65/EU) according to the standard:

EN IEC 63000:2018

Where this product or system includes or is supplied with batteries, those batteries comply with the requirements of Regulation (EU) 2023/1542.

Nordborg, 2026-2-6

LINAK A/S

Dragan Macura

Regulatory Compliance Manager

Deskline and Homeline Segments

Authorized to compile the relevant technical documentation

Original Declaration 

Manufacturer's declaration

DECLARATION OF INCORPORATION OF PARTLY COMPLETED MACHINERY

LINAK A/S
Smedevænget 8
DK - 6430 Nordborg

Herewith declares that LINAK DESKLINE® products as characterized by the following models and types:

Control Boxes: CBD6Sa000b0A-c09 (Where -a: can be P, C or H, -b: can be 2, 3 or 4 and -c: can be 0 or 7)

Linear Actuators: LA31

Built in actuator(s): DB5, DB6, DB14,

Lifting Columns: DL1A, DL4S, DL2, DL5, DL6, DL7, DL8, DL9, DL10, DL11, DL12, DL14, DL15, DL16, DL17, DL18, DL19, DL20, DL21, LC1

Desk Panels: DPA, DPB, DPH, DPF1K, DPF1M, DPF2K, DPF3K, DPF1C, DPF1D, DPF1U, DPF1W, DPF4T, DPG1K, DPG1M, DPG1B, DPG1C, DPT, DP1V01, DP1CS, DP1K, DP1U, DP2K, DP3K, DPN, DPWA, DPI-K, DPI-C

Accessories: BLE2LIN002, BLE2LIN003, DESK SENSOR 1, USB2LIN, DCConnector, BA001

complies with the following parts of the Machinery Directive 2006/42/EC, ANNEX I, *Essential health and safety requirements relating to the design and construction of machinery*:

- 1.1.2 a) Special use*
- 1.1.2 b) Selection of the most appropriate methods*
- 1.1.2 c) Foreseeable misuse*
- 1.1.2 d) Operator constrains due to the use of personal protective equipment*

1.1.3 Materials and products*

- 1.2.1 Safety and reliability of control systems
- 1.2.2 Control devices. Shape, readability, overview*
- 1.2.3 Starting*
- 1.2.4 Stopping*

- 1.5.1 Electricity supply
- 1.5.10 Radiation. EMC. Emission of electromagnetic radiation, X-rays, γ -rays*
- 1.5.11 External radiation*

*need to be further evaluated in the end product

We confirm that prior to market introduction the relevant technical documentation is compiled in accordance with part B of Annex VII and the assembly instruction pursuant to Annex VI.

This documentation or part hereof will be transmitted by post or electronically to a reasoned request by the national authorities.

The products mentioned in this document are to be combined for use in height adjustable furniture.

This partly completed machinery must not be put into service until the final machinery into which it is to be incorporated has been declared in conformity with the provisions of the Machinery Directive 2006/42/EC where appropriate.

Nordborg, 2024-02-21

LINAK A/S
Dragan Macura
Regulatory Compliance Manager
Deskline and Homeline Segments
Authorized to compile the relevant technical documentation

Original Declaration

Use the DPI1C in an environment with temperature between -10 and +50 °C. Otherwise, the DPI1C may be damaged. It can be operated at altitudes up to 2000 m.

Operating Frequency Range:
Bluetooth® 2402 - 2480 MHz

The maximum RF Output Power:
-9.81 dBm EIRP

The Bluetooth® word mark and logos are registered trademarks owned by Bluetooth SIG Inc. and any use of such marks and logos by LINAK AIS is under license.

The DESKLINE® product

This DESKLINE product is developed for indoor use in offices.

Do not use it in environments that have to be cleaned with aggressive detergents.

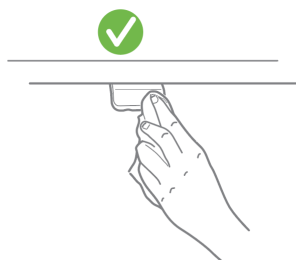
Warranty

This DESKLINE product is subject to warranty pursuant to the terms of LINAK DESKLINE Warranty Paper, available on the LINAK website www.linak.com/warranty.

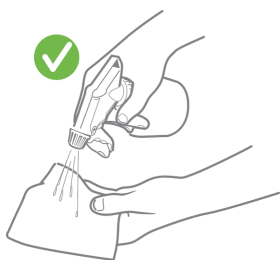
Maintenance

Cleaning the desk panel

Clean your desk panel with a soft damp cloth. Universal cleaning detergents may be used.



For disinfection of the desk panel, use a 70 percent isopropyl alcohol either as a wipe or add a small amount to a soft cloth.

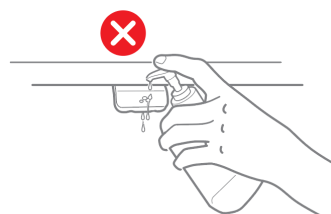
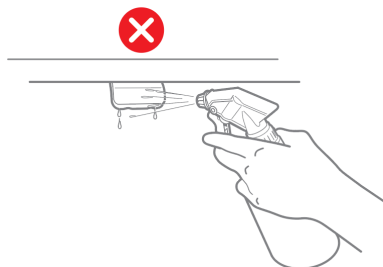


CAUTION

Risk of damaging the desk panel

The desk panel is not a sealed unit and there are electronics inside it.

- Ensure that liquids or moisture does not enter an opening. It may damage the PCB and ruin the desk panel.
- Avoid spraying the cleaning agent or disinfectant directly on the desk panel.



- Cleaning agents and disinfectants must not be highly alkaline or acidic (pH value must be 6 to 8), and they must not contain bleach or chlorine.
- Do not use hand sanitizer gel as a cleaning agent.

Products

Desk Panel DPI1K



- Up/down drive

Desk Panel DPI1C



- Up/down drive
- Up to four favourite positions
- Bluetooth®
- Display

Installation

Important notes



Always use 4 screws for mounting the DPI.



Always use pan head screws.



Ensure to tighten the screws sufficiently (minimum 1 Nm).
Do not overtighten.



Tabletop surface:
Mount the DPI on a surface that is flat and without any bulges.
Mount the DPI on a hard surface.
Do not place soft material between the surface and the DPI.

Placing the DPI

The drawings below are side-view examples of how to position the DPI relative to the edge of the tabletop.

1. Place DPI so it is easy to operate.

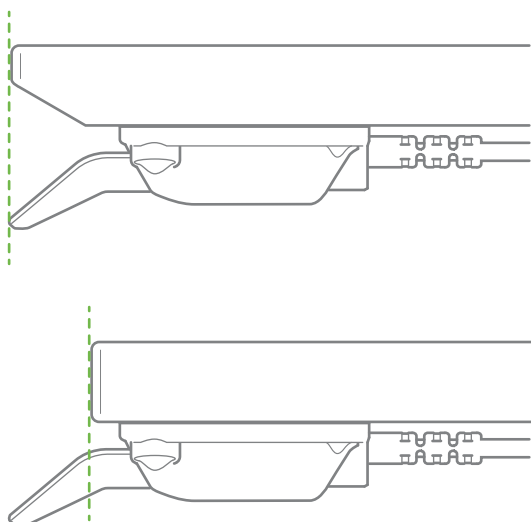


Figure 1 Alignment in proportion to tabletop edge

Front label

The DPI is delivered with the removable front label attached to the paddle.

1. Peel the label off and place it on a visible spot. The information (user guides and product information) is then easily accessible via the QR code.



Figure 2 Removable front label

Mounting the DPI

We recommend pre-drilling the holes for the DPI to ensure the same aligned position for all desks.



If no holes are pre-drilled in the tabletop, a bulge of wood might occur between the tabletop and the DPI, which causes the DPI not to be tightened sufficiently to the tabletop. This might lead to false triggering of the built-in anti-collision sensor in the DPI.

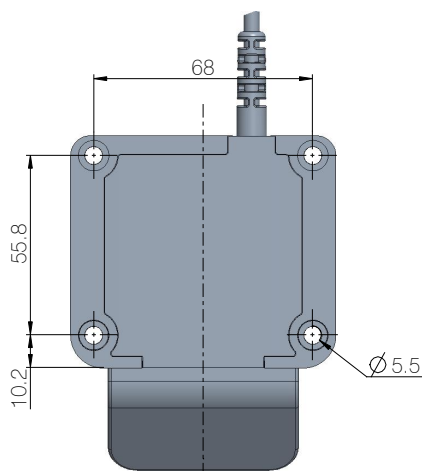
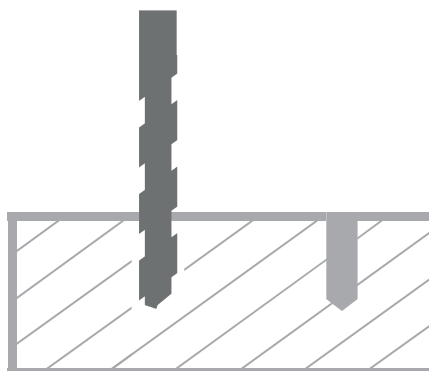
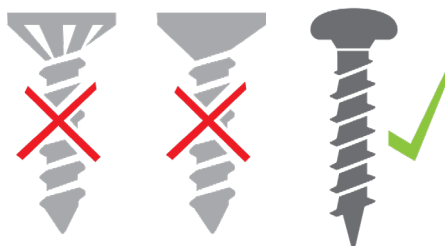


Figure 3 DPI hole pattern

1. Pre-drill holes.



2. Mount the DPI to the tabletop.
Always use 4 x \varnothing 5 mm pan head screws (recommended length: 16 mm).



The screws must be fastened sufficiently (minimum 1 Nm) without being over-tightened. It is not possible to state the maximum torque, as this depends on the type of screw, the material of tabletop, and whether holes are pre-drilled or not.

3. Fasten the four screws sufficiently to ensure that the built-in anti-collision sensor functions properly and to prevent the sensor from false triggering.

Operation

Operate the DPI by tilting it.

1. Tilt and hold up the DPI to drive the desk up, press and hold down the DPI to drive the desk down.
2. Release the DPI when you have reached your desired position.

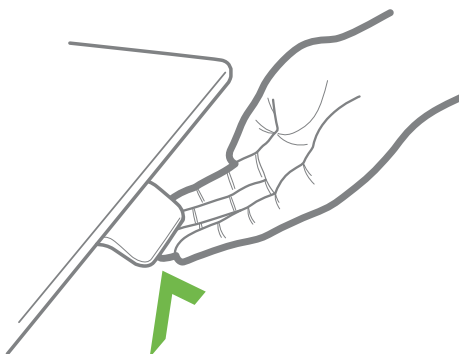


Figure 4 Tilt and hold the DPI to drive the desk up

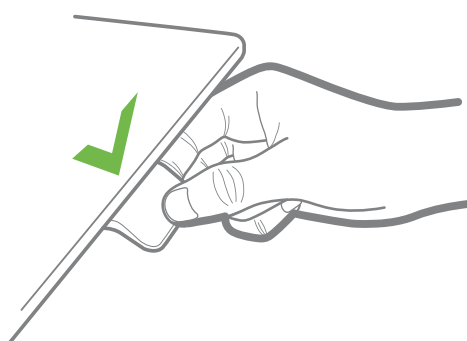


Figure 5 Press and hold the DPI to drive the desk down

DPI1C only:

If favourite positions have been saved and automatic drive is enabled:

Simply double-tap up or down to drive the desk to a favourite position.



Figure 6 Double-tap the DPI to drive the desk to a pre-set favourite position

Settings

DPI1C only

The settings mode of the DPI1C is primarily meant for installers when installing the system, and for users who do not use the Desk Connect™ app.



End users should not mix the ways of setting up/configuring the DPI but use **either** the Desk Connect™ app **or** the DPI settings mode.



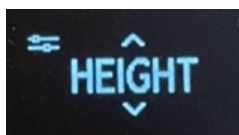
If you set up the DPI1C via the settings mode and then connect to the Desk Connect™ app, favourite positions and units set in the app will override the favourite positions and units selected via the DPI settings mode.

Via the settings mode of the DPI1C you can access the following menus:

- HEIGHT
- UNITS
- FAV. POS.
- LIMITS
- RESTORE
- EXIT

The setup menu

1. To access the settings mode, press the Connect button and, at the same time, tilt the paddle down for 3 seconds.
2. Tilt the paddle up or down to scroll through the menus.
The icon in the upper left corner of the display indicates that the DPI is in settings .



3. Press the Connect button to select a menu/setting.



After 30 seconds of inactivity, the DPI automatically exits the setup menu.

Height

The first menu is 'HEIGHT'. If the height shown in the display is not correct, it can be adjusted via this menu.

1. Measure the height from the floor to the tabletop.
2. Press the Connect button to enter the menu.
3. Tilt the paddle up or down to adjust the displayed height.
4. Press the Connect button to save the new height.



Units can be changed in the 'UNITS' menu.



Revisit your favourite positions if you change the desk height.

Units

The second menu is 'UNITS'. In this menu you can change the height unit.

1. Press the Connect button to enter the menu.
2. Tilt the paddle up or down to scroll through the options 'CM', 'MM' and 'INCH'.
3. Press the Connect button to save the selected option.



If the desk is connected to the Desk Connect™ app, the units set in the app will override the units selected via the DPI settings mode.

Favourite positions

The third menu is 'FAV. POS'. In this menu you can set or delete your favourite positions.

Saving favourite positions

1. Press the Connect button to enter the menu.
2. Tilt the paddle up or down to reach the desired favourite position, the option to clear all set favourite positions, or 'CANCEL' to leave the menu and return to the settings menu.
3. When the desired option is displayed, press the Connect button.
4. Adjust the desk to the preferred height.
5. Press the Connect button to select the height and then again to save the favourite position.



In case you do not want to save this position as a favourite, tilt the paddle and then press the Connect button to cancel and return to the favourite positions menu.



If the desk is connected to the Desk Connect™ app, the favourite positions set in the app will override the favourite positions set via the DPI settings mode.

Deleting favourite positions

In the favourite positions menu, tilt the paddle up or down to get to the menu 'CLR FAV.'



In this menu you delete **all** set favourite positions.

1. Tilt the paddle up or down to scroll to the 'CLR FAV.' menu.
2. Press the Connect button to select this option and then again to confirm deletion of all favourite positions.



In case you do not want to delete the favourite positions, tilt the paddle and then press the Connect button to cancel and return to the 'CLR FAV.' menu.

Limits

The fourth menu is 'LIMITS'. In this menu you can change the upper and lower desk height limits to prevent collision with for example a shelf above the desk or a cabinet placed under the desk.

1. Press the Connect button to enter the menu.
2. Tilt the paddle to toggle between 'LOWER', 'UPPER', 'CLEAR LIM.' or 'CANCEL'.
3. Setting limits:
 - 3.1. When the 'LOWER' or 'UPPER' option is displayed, press the Connect button.
 - 3.2. Use the paddle to adjust the desk to the desired upper/lower limit height.
 - 3.3. Press the Connect button to select the height.
 - 3.4. Press the Connect button again to set the limit.



In case you do not want to save the selected position as a limit, tilt the paddle and then press the Connect button to cancel and return to the limits menu.

4. Clearing set limits:
 - 4.1. When the 'CLEAR LIM.' option is displayed, press the Connect button.
 - 4.2. Press the Connect button again to clear all set limits.
5. Leaving the limits menu:
 - 5.1. When the 'CANCEL' option is displayed, press the Connect button to return to the settings menu.

Restore

The fifth menu is 'RESTORE'. In this menu you can restore the DPI to its default settings.



The default settings are the latest settings programmed via configuration.

This menu is useful in case one user takes over a desk from another user.

1. Press the Connect button to enter the menu.
2. Press the Connect button again to confirm deleting all changes made since the last configuration.



In case you do not want to restore the DPI, tilt the paddle and then press the Connect button to cancel and return to the restore menu.

Exit

The last menu is 'EXIT'. From here you can exit the settings menu when all settings are done.

1. Press the Connect button to exit the settings menu.



After 30 seconds of inactivity, the DPI automatically exits the setup menu.

Repair and disposal



WARNING

Opening the product

Risk of injury to persons and of malfunction

- Do not open the product unless you are authorised to do so.

Only an authorised LINAK® service centre should repair the LINAK products. Products to be repaired under warranty must be sent to an authorised LINAK service centre.

In order to avoid the risk of malfunction, all product repairs must only be carried out by an authorised LINAK Service shop or repairers, as special tools and parts must be used.

If a product is opened by unauthorised personnel there is a risk that it may malfunction at a later date.

LINAK systems or components may be disposed of, possibly by dividing them into different waste groups for recycling or combustion.

We recommend that our product is disassembled as much as possible at the disposal and that you try to recycle it. LINAK systems or components should be disposed of in accordance with the environmental regulations applicable in the respective country.

Accessories and spare parts

Accessories

Order from your nearest LINAK® sales office, distributor or subsidiary.

Spare parts

Please contact your nearest LINAK sales office for information on spare parts.

Contacts

FACTORIES

Denmark - Headquarters
 LINAK A/S
 Phone: +45 73 15 15 15
 Fax: +45 74 45 80 48
 Fax (Sales): +45 73 15 16 13
 Web: www.linak.com

China
 LINAK (Shenzhen) Actuator Systems, Ltd.
 Phone: +86 755 8610 6656
 Phone: +86 755 8610 6990
 Web: www.linak.cn

Slovakia
 LINAK Slovakia s.r.o.
 Phone: +421 51 7563 444
 Web: www.linak.sk

Thailand
 LINAK APAC Ltd.
 Phone: +66 33 265 400
 Web: www.linak.com

USA
 LINAK U.S. Inc.
 Americas Headquarters
 Phone: +1 502 253 5595
 Fax: +1 502 253 5596
 Web: www.linak-us.com
 www.linak-latinamerica.com

SUBSIDIARIES

Australia
 LINAK Australia Pty. Ltd
 Phone: +61 3 8796 9777
 Fax: +61 3 8796 9778
 E-mail: sales@linak.com.au
 Web: www.linak.com.au

Austria
 LINAK Zweigniederlassung - Österreich (Wien)
 Phone: +43 (1) 890 7446
 Fax: +43 (1) 890 744615
 E-mail: info@linak.de
 Web: www.linak.at - www.linak.hu

Belgium
 LINAK Actuator-Systems NV/SA
 (Belgium & Luxembourg)
 Phone: +32 (0)9 230 01 09
 E-mail: beinfo@linak.be
 Web: www.linak.be - www.fr.linak.be

Brazil
 LINAK Do Brasil Comércio De Atuadores Ltda.
 Phone: +55 (11) 2832 7070
 Fax: +55 (11) 2832 7060
 E-mail: info@linak.com.br
 Web: www.linak.com.br

Canada
 LINAK Canada Inc.
 Phone: +1 502 253 5595
 Fax: +1 416 255 7720
 E-mail: info@linak.ca
 Web: www.linak-us.com

Czech Republic
 LINAK C&S s.r.o.
 Phone: +42 058 174 1814
 Fax: +42 058 170 2452
 E-mail: info@linak.cz
 Web: www.linak.cz - www.linak.sk

Denmark - International
 LINAK International
 Phone: +45 73 15 15 15
 E-mail: info@linak.com
 Web: www.linak.com

Denmark - Sales
 LINAK Danmark A/S
 Phone: +45 86 80 36 11
 Fax: +45 86 82 90 51
 E-mail: linak@linak-silkeborg.dk
 Web: www.linak.dk

Finland
 LINAK OY
 Phone: +358 10 841 8700
 E-mail: linak@linak.fi
 Web: www.linak.fi

France
 LINAK France E.U.R.L
 Phone: +33 (0) 2 41 36 34 34
 Fax: +33 (0) 2 41 36 35 00
 E-mail: linak@linak.fr
 Web: www.linak.fr

Germany
 LINAK GmbH
 Phone: +49 6043 9655 0
 Fax: +49 6043 9655 60
 E-mail: info@linak.de
 Web: www.linak.de

India
 LINAK A/S India Liaison Office
 Phone: +91 120 4531797
 Fax: +91 120 4786428
 E-mail: info@linak.in
 Web: www.linak.in

Ireland
 LINAK UK Limited (Ireland)
 Phone: +44 (0)121 544 2211
 Fax: +44 (0)121 544 2552
 +44 (0)796 855 1606 (UK Mobile)
 +35 387 634 6554 (Rep.of Ireland Mobile)
 E-mail: sales@linak.co.uk
 Web: www.linak.co.uk

Italy
 LINAK ITALIA S.r.l.
 Phone: +39 02 48 46 33 66
 Fax: +39 02 48 46 82 52
 E-mail: info@linak.it
 Web: www.linak.it

Japan
 LINAK K.K.
 Phone: 81-45-533-0802
 Fax: 81-45-533-0803
 E-mail: linak@linak.jp
 Web: www.linak.jp

Malaysia
 LINAK Actuators Sdn. Bhd.
 Phone: +60 4 210 6500
 Fax: +60 4 226 8901
 E-mail: info@linak-asia.com
 Web: www.linak.my

Netherlands
 LINAK Actuator-Systems B.V.
 Phone: +31 76 5 42 44 40 /
 +31 76 200 11 10
 E-mail: info@linak.nl
 Web: www.linak.nl

New Zealand
 LINAK New Zealand Ltd
 Phone: +64 9580 2071
 Fax: +64 9580 2072
 E-mail: nzsales@linak.com.au
 Web: www.linak.com.au

Norway
 LINAK Norge AS
 Phone: +47 32 82 90 90
 E-mail: info@linak.no
 Web: www.linak.no

Poland
 LINAK Polska
 LINAK Danmark A/S (Spółka Akcyjna)
 Phone: +48 22 295 09 70 /
 +48 22 295 09 71
 E-mail: info@linak.pl
 Web: www.linak.pl

Republic of Korea
 LINAK Korea Ltd.
 Phone: +82 2 6231 1515
 Fax: +82 2 6231 1516
 E-mail: info@linak.kr
 Web: www.linak.kr

Slovakia
 LINAK Slovakia S.R.O.
 Phone: +421 51 7563 444
 Web: www.linak.sk

Spain
 LINAK Actuadores, S.L.u
 Phone: +34 93 588 27 77
 Fax: +34 93 588 27 85
 E-mail: esma@linak.es
 Web: www.linak.es

Sweden
 LINAK Scandinavia AB
 Phone: +46 8 732 20 00
 Fax: +46 8 732 20 50
 E-mail: info@linak.se
 Web: www.linak.se

Switzerland
 LINAK AG
 Phone: +41 43 388 31 88
 E-mail: info@linak.ch
 Web: www.linak.ch - www.fr.linak.ch
 www.it.linak.ch

Taiwan
 LINAK (Shenzhen) Actuator systems Ltd.
 Taiwan Representative office
 Phone: +886 2 272 90068
 Fax: +886 2 272 90096
 E-mail: sales@linak.com.tw
 Web: www.linak.com.tw

Turkey
 LINAK İhr. San. ve Tic. A.Ş.
 Phone: +90 312 4726338
 Fax: +90 312 4726635
 E-mail: info@linak.com.tr
 Web: www.linak.com.tr

United Kingdom
 LINAK UK Limited
 Phone: +44 (0)121 544 2211
 Fax: +44 (0)121 544 2552
 E-mail: sales@linak.co.uk
 Web: www.linak.co.uk

DISTRIBUTORS

Argentina
 Novotec Argentina SRL
 Phone: 011-4303-8989 / 8900
 Fax: 011-4032-0184
 E-mail: info@novotecargentina.com
 Web: www.novotecargentina.com

Colombia
 MEM Ltda
 Phone: +[57] (1) 334-7666
 Fax: +[57] (1) 282-1684
 E-mail: servicioalcliente@memlda.com.co
 Web: www.mem.net.co

India
 Mechatronics Control Equipments India Pvt Ltd
 Phone: +91-44-28558484, 85
 E-mail: bala@mechatronicscontrol.com
 Web: www.mechatronicscontrol.com

Indonesia
 PT. Himalaya Everest Jaya
 Phone: +6 221 544 8956 /+6 221 544 8965
 Fax: +6 221 619 1925
 Fax (Sales): +6 221 619 4658
 E-mail: hejplastic-div@centrin.net.id
 Web: www.hej.co.id

Israel
 NetivTech LTD
 Phone: +972 55-2266-535
 Fax: +972 2-9900-560
 Email: info@NetivTech.com
 Web: www.netivtech.com

Singapore
 Servo Dynamics Pte Ltd
 Phone: +65 6844 0288
 Fax: +65 6844 0070
 E-mail: servodynamics@servo.com.sg

South Africa
 Industrial Specialised Applications CC
 Phone: +27 011 466 0346
 E-mail: gartht@isagroup.co.za
 Web: www.isaza.co.za

United Arab Emirates
 Mechatronics
 Phone: +971 4 267 4311
 Fax: +971 4 267 4312
 E-mail: mechtron@emirates.net.ae

Terms of use

LINAK® takes great care in providing accurate and up-to-date information on its products. However, the user is responsible for determining the suitability of LINAK products for a specific application. Due to continual development, LINAK products are subject to frequent modifications and changes. LINAK reserves the rights to conduct modifications, updates, and changes without any prior notice. For the same reason, LINAK cannot guarantee the correctness and actual status of imprinted information on its products.

LINAK uses its best efforts to fulfil orders. However, for the reasons mentioned above, LINAK cannot guarantee availability of any particular product at any given time. LINAK reserves the right to discontinue the sale of any product displayed on its website or listed in its catalogues or in other written material created and produced by LINAK, LINAK subsidiaries, or LINAK affiliates. All sales are subject to the 'Standard Terms of Sale and Delivery for LINAK A/S' available on LINAK websites. LINAK and the LINAK logotype are registered trademarks of LINAK A/S. All rights reserved.



WE IMPROVE YOUR LIFE