

Desk Panel DPG1M

Data Sheet





The intuitive Desk Panel DPG1M is activated by tilting the panel in the same direction as the intended desk movement. The DPG1M features a modern, discreet, and angled design.

The desk panel includes an option for two favourite positions (sitting and standing), and a built-in LED reminder to encourage movement. Pulsating green and orange LED lights remind users when it is time to change position during the workday.

Using the integrated Bluetooth® and the Desk Connect™ app, users can also receive reminder notifications on smart devices. Automatic drive can optionally be enabled in the Desk Connect™ app. Tap the desk panel twice in the desired direction, and the desk will automatically move to the stored position.

- Intuitive up/down tilt function for height adjustment
- Compatible with the Desk Connect™ app via Bluetooth®
- Customisable front panel with printed graphics
- Distinctive shape
- Clean, angled design
- LED light reminder
- Compatible with the Desk Connect™ app via Bluetooth®
- Automatic drive (optional) to two favourite positions
- Award-winning design

The Desk Panel DPG1M is part of the DPG with reminder series and is also available in a version with display: DPG1C.

The Bluetooth® word mark and logos are registered trademarks owned by Bluetooth SIG Inc. and any use of such marks and logos by LINAK A/S is under license.

Features/Options/Compatibility/Usage

Features

- Intuitive desk panel for office desks
- Reminder function via an LED
- Two favourite positions
- Bluetooth®
- Key lock function
- Weight (including the cover): Approximately 80 g
- Dimensions: See [Dimension drawings](#)
- Colour: Black (RAL 9005)
- Removable front label with QR code linking to product and use information
- Cable: Black, 1700 mm, straight, with RJ45 modular plug
- PVC-Free™
- Featuring ZERO™: Very low power consumption in standby mode

Options

- Automatic drive on favourite positions
- Customised logo on front

Compatibility

- DESKLINE® control boxes
- DL IC systems
- Desk Connect™ app



The DPG1M is **not** compatible with the CBD6S running on the BA001.

Usage

- For indoor use in dry locations

Parameter	Operation	Storage and transportation
Temperature	5 to 40 °C	-10 to +50 °C
Relative humidity	20% to 80% - non-condensing	20% to 80% - non-condensing
Atmospheric pressure	800 to 1060 hPa	700 to 1060 hPa
Altitude	Max. 2000 m	N/A

- Approved in accordance with EN 60335-1
- Approved in accordance with UL962

Ordering

	DPG	
CHANNELS	1	1 = One reference
VARIANT	M	M = Up and down, display, favourite positions, Bluetooth® and sit/stand reminder
VERSION	0	0 = Limited version* 3 = Full version**
OPTION	0	0 = Standard
OPTION	-	0 = Standard
OPTION	0	0 = Standard
OPTION	0	0 = Standard
OPTION	0	0 = Standard
OPTION	0	0 = Standard
HOUSING COLOUR	0	0 = Black (RAL9005)
OPTION	0	0 = Standard
CABLE	6	6 = 1700 mm (+/- 70 mm) straight cable with RJ45 modular plug

DPG1M00-000006

*: No wireless control through app and no automatic drive

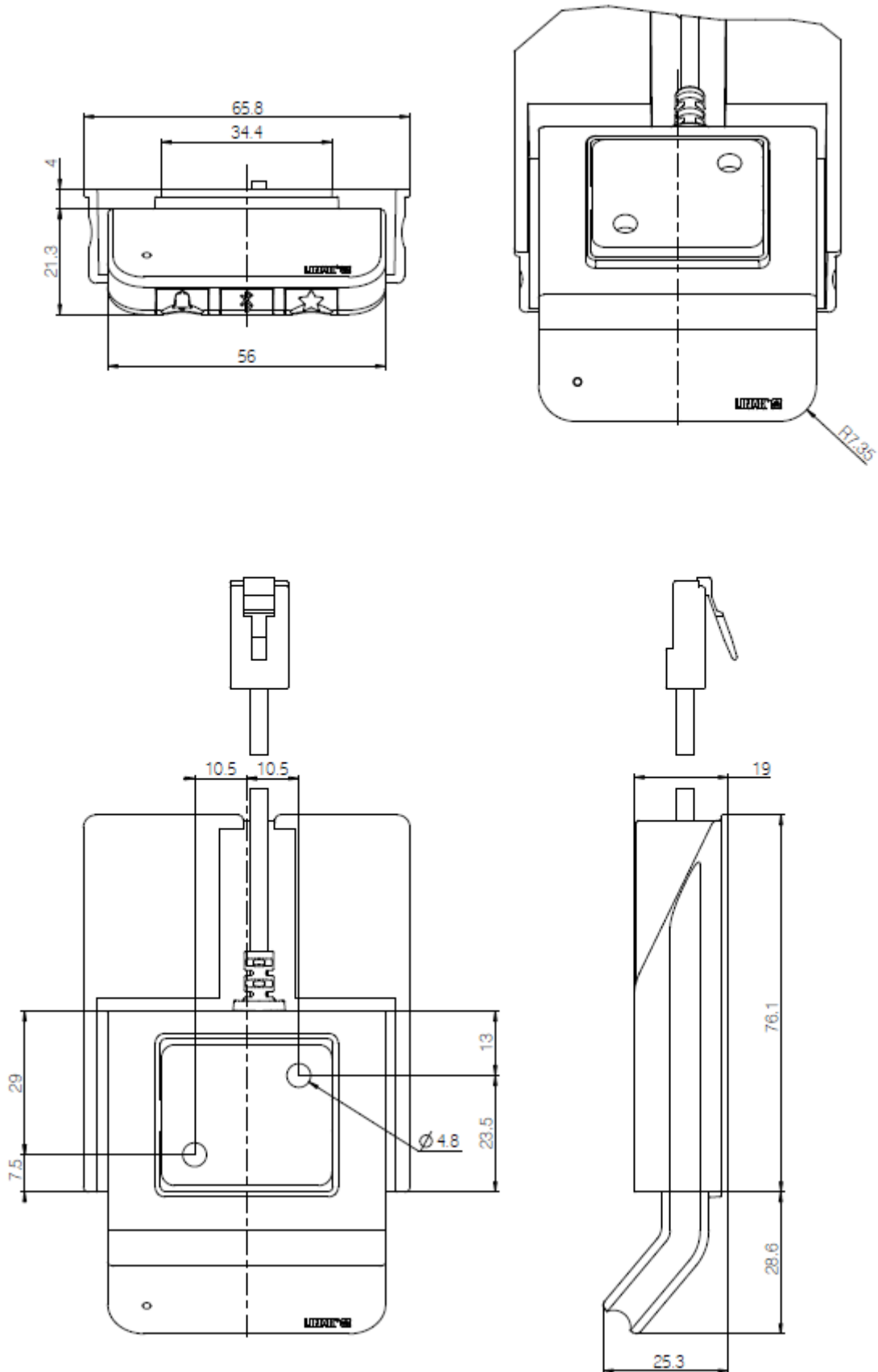
** : Wireless control through app and automatic drive possible

Dimension drawings



All dimensions are in mm.

DPG1M



Contacts

FACTORIES

Denmark - Headquarters
 LINAK A/S
 Phone: +45 73 15 15 15
 Fax: +45 74 45 80 48
 Fax (Sales): +45 73 15 16 13
 Web: www.linak.com

China
 LINAK (Shenzhen) Actuator Systems, Ltd.
 Phone: +86 755 8610 6656
 Phone: +86 755 8610 6990
 Web: www.linak.cn

Slovakia
 LINAK Slovakia s.r.o.
 Phone: +421 51 7563 444
 Web: www.linak.sk

Thailand
 LINAK APAC Ltd.
 Phone: +66 33 265 400
 Web: www.linak.com

USA
 LINAK U.S. Inc.
 Americas Headquarters
 Phone: +1 502 253 5595
 Fax: +1 502 253 5596
 Web: www.linak-us.com
 www.linak-latinamerica.com

SUBSIDIARIES

Australia
 LINAK Australia Pty. Ltd
 Phone: +61 3 8796 9777
 Fax: +61 3 8796 9778
 E-mail: sales@linak.com.au
 Web: www.linak.com.au

Austria
 LINAK Zweigniederlassung - Österreich (Wien)
 Phone: +43 (1) 890 7446
 Fax: +43 (1) 890 744615
 E-mail: info@linak.de
 Web: www.linak.at - www.linak.hu

Belgium
 LINAK Actuator-Systems NV/SA
 (Belgium & Luxembourg)
 Phone: +32 (0)9 230 01 09
 E-mail: beinfo@linak.be
 Web: www.linak.be - www.fr.linak.be

Brazil
 LINAK Do Brasil Comércio De Atuadores Ltda.
 Phone: +55 (11) 2832 7070
 Fax: +55 (11) 2832 7060
 E-mail: info@linak.com.br
 Web: www.linak.com.br

Canada
 LINAK Canada Inc.
 Phone: +1 502 253 5595
 Fax: +1 416 255 7720
 E-mail: info@linak.ca
 Web: www.linak-us.com

Czech Republic
 LINAK C&S s.r.o.
 Phone: +42 058 174 1814
 Fax: +42 058 170 2452
 E-mail: info@linak.cz
 Web: www.linak.cz - www.linak.sk

Denmark - International
 LINAK International
 Phone: +45 73 15 15 15
 E-mail: info@linak.com
 Web: www.linak.com

Denmark - Sales
 LINAK Danmark A/S
 Phone: +45 86 80 36 11
 Fax: +45 86 82 90 51
 E-mail: linak@linak-silkeborg.dk
 Web: www.linak.dk

Finland
 LINAK OY
 Phone: +358 10 841 8700
 E-mail: linak@linak.fi
 Web: www.linak.fi

France
 LINAK France E.U.R.L.
 Phone: +33 (0) 2 41 36 34 34
 Fax: +33 (0) 2 41 36 35 00
 E-mail: linak@linak.fr
 Web: www.linak.fr

Germany
 LINAK GmbH
 Phone: +49 6043 9655 0
 Fax: +49 6043 9655 60
 E-mail: info@linak.de
 Web: www.linak.de

India
 LINAK A/S India Liaison Office
 Phone: +91 120 4531797
 Fax: +91 120 4786428
 E-mail: info@linak.in
 Web: www.linak.in

Ireland
 LINAK UK Limited (Ireland)
 Phone: +44 (0)121 544 2211
 Fax: +44 (0)121 544 2552
 +44 (0)796 855 1606 (UK Mobile)
 +35 387 634 6554 (Rep.of Ireland Mobile)
 E-mail: sales@linak.co.uk
 Web: www.linak.co.uk

Italy
 LINAK ITALIA S.r.l.
 Phone: +39 02 48 46 33 66
 Fax: +39 02 48 46 82 52
 E-mail: info@linak.it
 Web: www.linak.it

Japan
 LINAK K.K.
 Phone: 81-45-533-0802
 Fax: 81-45-533-0803
 E-mail: linak@linak.jp
 Web: www.linak.jp

Malaysia
 LINAK Actuators Sdn. Bhd.
 Phone: +60 4 210 6500
 Fax: +60 4 226 8901
 E-mail: info@linak-asia.com
 Web: www.linak.my

Netherlands
 LINAK Actuator-Systems B.V.
 Phone: +31 76 5 42 44 40 /
 +31 76 200 11 10
 E-mail: info@linak.nl
 Web: www.linak.nl

New Zealand
 LINAK New Zealand Ltd
 Phone: +64 9580 2071
 Fax: +64 9580 2072
 E-mail: nzsales@linak.com.au
 Web: www.linak.com.au

Norway
 LINAK Norge AS
 Phone: +47 32 82 90 90
 E-mail: info@linak.no
 Web: www.linak.no

Poland
 LINAK Polska
 LINAK Danmark A/S (Spółka Akcyjna)
 Phone: +48 22 295 09 70 /
 +48 22 295 09 71
 E-mail: info@linak.pl
 Web: www.linak.pl

Republic of Korea
 LINAK Korea Ltd.
 Phone: +82 2 6231 1515
 Fax: +82 2 6231 1516
 E-mail: info@linak.kr
 Web: www.linak.kr

Slovakia
 LINAK Slovakia S.R.O.
 Phone: +421 51 7563 444
 Web: www.linak.sk

Spain
 LINAK Actuadores, S.L.u
 Phone: +34 93 588 27 77
 Fax: +34 93 588 27 85
 E-mail: esma@linak.es
 Web: www.linak.es

Sweden
 LINAK Scandinavia AB
 Phone: +46 8 732 20 00
 Fax: +46 8 732 20 50
 E-mail: info@linak.se
 Web: www.linak.se

Switzerland
 LINAK AG
 Phone: +41 43 388 31 88
 E-mail: info@linak.ch
 Web: www.linak.ch - www.fr.linak.ch
 www.it.linak.ch

Taiwan
 LINAK (Shenzhen) Actuator systems Ltd.
 Taiwan Representative office
 Phone: +886 2 272 90068
 Fax: +886 2 272 90096
 E-mail: sales@linak.com.tw
 Web: www.linak.com.tw

Turkey
 LINAK İth. İhr. San. ve Tic. A.Ş.
 Phone: +90 312 4726338
 Fax: +90 312 4726635
 E-mail: info@linak.com.tr
 Web: www.linak.com.tr

United Kingdom
 LINAK UK Limited
 Phone: +44 (0)121 544 2211
 Fax: +44 (0)121 544 2552
 E-mail: sales@linak.co.uk
 Web: www.linak.co.uk

DISTRIBUTORS

Argentina
 Novotec Argentina SRL
 Phone: 011-4303-8989 / 8900
 Fax: 011-4032-0184
 E-mail: info@novotecargentina.com
 Web: www.novotecargentina.com

Colombia
 MEM Ltda
 Phone: +[57] (1) 334-7666
 Fax: +[57] (1) 282-1684
 E-mail: servicioalcliente@memltda.com.co
 Web: www.mem.net.co

India
 Mechatronics Control Equipments India Pvt Ltd
 Phone: +91-44-28558484, 85
 E-mail: bala@mechatronicscontrol.com
 Web: www.mechatronicscontrol.com

Indonesia
 PT. Himalaya Everest Jaya
 Phone: +6 221 544 8956 /+6 221 544 8965
 Fax: +6 221 619 1925
 Fax (Sales): +6 221 619 4658
 E-mail: hejplastic-div@centrin.net.id
 Web: www.hej.co.id

Israel
 NetivTech LTD
 Phone: +972 55-2266-535
 Fax: +972 2-9900-560
 Email: info@NetivTech.com
 Web: www.netivtech.com

Singapore
 Servo Dynamics Pte Ltd
 Phone: +65 6844 0288
 Fax: +65 6844 0070
 E-mail: servodynamics@servo.com.sg

South Africa
 Industrial Specialised Applications CC
 Phone: +27 011 466 0346
 E-mail: gartht@isagroup.co.za
 Web: www.isaza.co.za

United Arab Emirates
 Mechatronics
 Phone: +971 4 267 4311
 Fax: +971 4 267 4312
 E-mail: mechtron@emirates.net.ae

Terms of use

LINAK® takes great care in providing accurate and up-to-date information on its products. However, the user is responsible for determining the suitability of LINAK products for a specific application. Due to continual development, LINAK products are subject to frequent modifications and changes. LINAK reserves the rights to conduct modifications, updates, and changes without any prior notice. For the same reason, LINAK cannot guarantee the correctness and actual status of imprinted information on its products.

LINAK uses its best efforts to fulfil orders. However, for the reasons mentioned above, LINAK cannot guarantee availability of any particular product at any given time. LINAK reserves the right to discontinue the sale of any product displayed on its website or listed in its catalogues or in other written material created and produced by LINAK, LINAK subsidiaries, or LINAK affiliates. All sales are subject to the 'Standard Terms of Sale and Delivery for LINAK A/S' available on LINAK websites. LINAK and the LINAK logotype are registered trademarks of LINAK A/S. All rights reserved.



WE IMPROVE YOUR LIFE