

# Baselift™ (BASE1)

## Data Sheet





Revolutionary, innovative, smart. The Baselift™ unit sets new standards for height adjustment of bases. The Baselift™ is the perfect choice for height adjustment in applications ranging from private kitchens to various counters in shops. The Baselift™ is an obvious choice for a wide range of applications where sit-sit or stand-stand adjustment is needed to get an optimum working height and comfort. With its compact size the Baselift™ takes up only 100 mm in height, which can typically be fitted into existing bases without compromising on space or storage room to get comfort. The Baselift™ is compatible with all DESKLINE® Control Boxes and DESKLINE controls, simply Plug & Play™.

## Features/Options/Compatibility/Usage

### Features

- Compact unit
- In combination with CBD6S:

Parameter	With CBD6S (300 W or 200 W)
Max. speed (unloaded)	14 mm/s
Max. load (per column)	1500 N
Self-lock (per column)	1500 N

- Installation dimension: 100 mm
- Stroke length: 100 mm
- Adjustable feet for fine adjustment of height/base position (max. 15 mm)
- Weight: Approximately 3 kg
- Dimensions: 100 x 416 mm (see also [Dimension drawings](#))
- Colour: Dark grey (RAL 7016)
- PVC-Free™
- Low sound level

### Options

- Separate mounting brackets (article number 0501015) to click on the Baselift™ and mount on the floor
- Separate clips (0501017) for mounting the base cover to the Baselift™

### Compatibility

- DESKLINE® control boxes

**Usage:**

- 2, 3 or 4-parallel drive or multi-parallel systems with up to 16 Baselift™ units for large kitchen islands
- Duty cycle: 10 %  $\approx$  max. 1 min. continuous use at full load, followed by 9 minutes pause
- For indoor use in dry locations

Parameter	Operation	Storage and transportation
Temperature	10 to 40 °C	-10 to +50 °C
Relative humidity	20% to 80% - non-condensing	20% to 80% - non-condensing
Atmospheric pressure	800 to 1060 hPa	700 to 1060 hPa
Altitude	Max. 2000 m	N/A

- Only for push applications

For system compliance, please refer to the Declaration of Conformity in the CBD6S [User Manual](#).



We recommend using CBD6S with software 03002024, which supports the initialisation lock. This helps in service situations and may avoid failures that can result in damage to the application. Please read more about it on the following pages.

## Ordering

BASE1		
SPINDLE TYPE	0	0 = 12 mm pitch (Standard)
CABLE	0	0 = 200 mm (standard)
OPTION	0	0 = Standard
COLOUR	A	A = Dark grey (RAL 7016)
OPTION	0	0 = Standard
MOTOR TYPE	F	F = Standard with IID 0 = ID puls from DL5/6 (only for the first prototypes)
STROKE LENGTH	100	100 = 100 mm (standard)
INSTALLATION DIM.	100	100 = 100 mm (standard)
<b>BASE1000A0F100100</b>		

## Mounting bracket and clips

Item	Item number	Items per bag	Order quantity
Mounting bracket (to click on the Baselift™ and mount on the floor)	0501015	51	Always order multiples of 51
Mounting clips (for mounting the base cover to the Baselift™)	0501017	51	Always order multiples of 51



All cables for creating a fully connected DESKLINE® system must be ordered separately. We offer a range of different versions and lengths. To get information such as ordering number, and colour and length of the cables, please contact your local LINAK.

## Technical data

### Performance curves

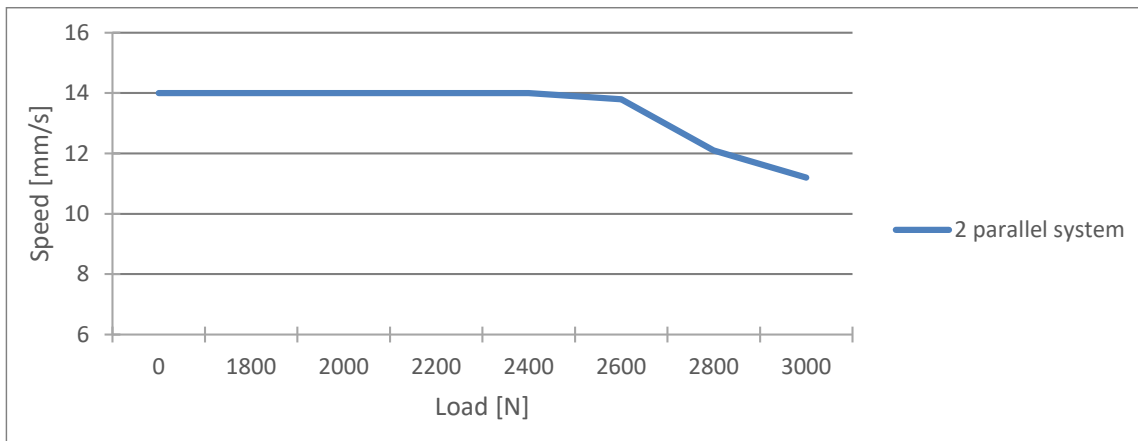


Figure 1 System with 2 CBD6S (200 W) - each with 2 Baselift™ units in parallel

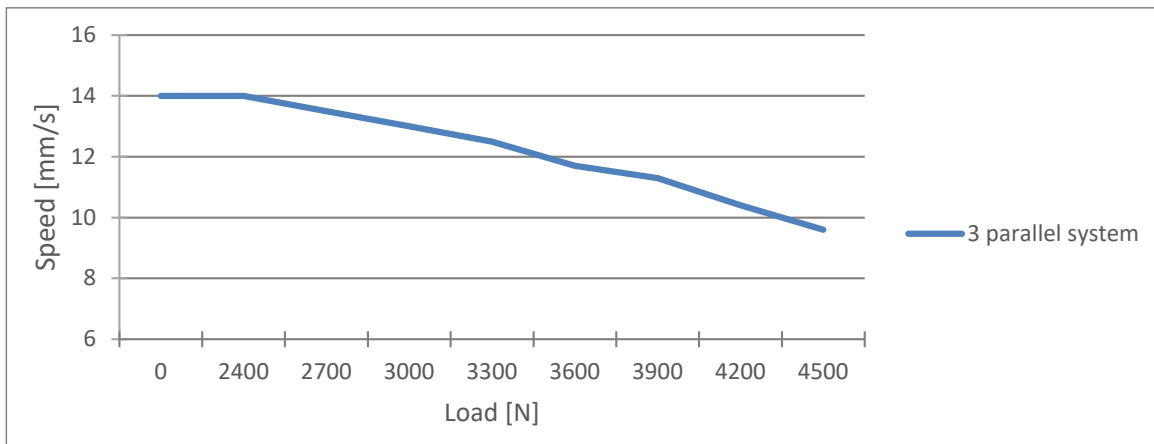


Figure 2 3 parallel and 2 x 3 parallel Baselift™ system (CBD6S 300 W)

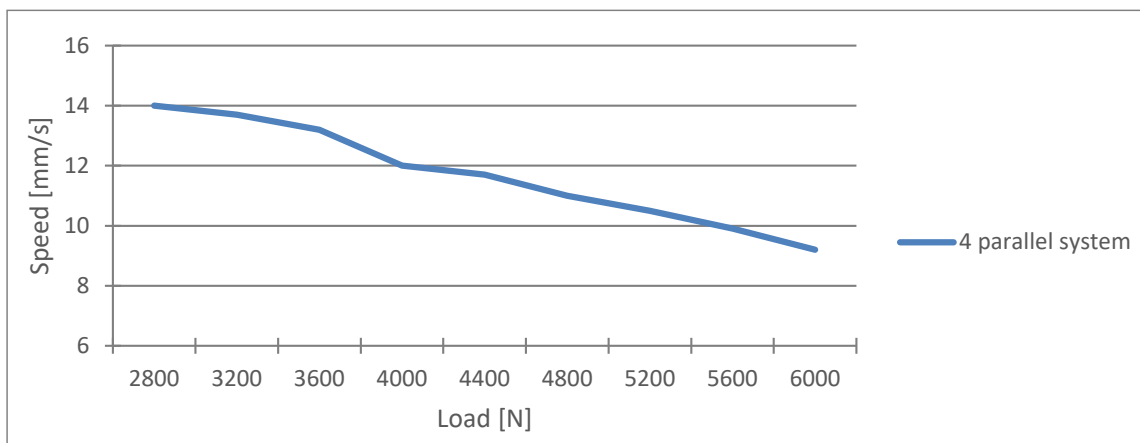


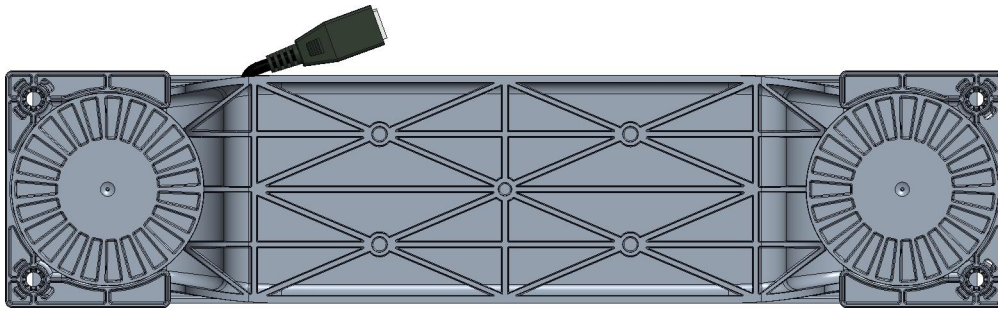
Figure 3 4 parallel and 2 x 4 parallel Baselift™ system (CBD6S 300 W)

## Dimension drawings



All dimensions are in mm.

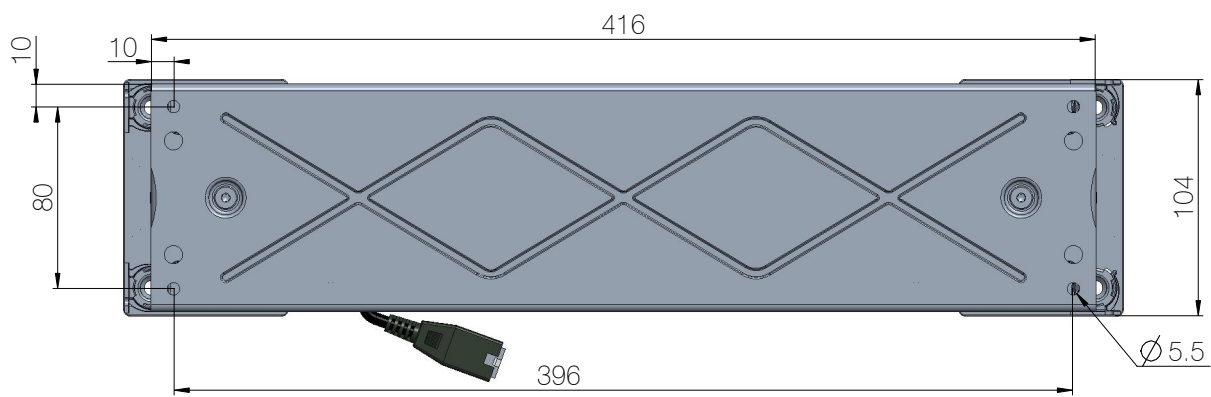
### Bottom view



Drawing no. 0504002

Figure 4 Bottom view

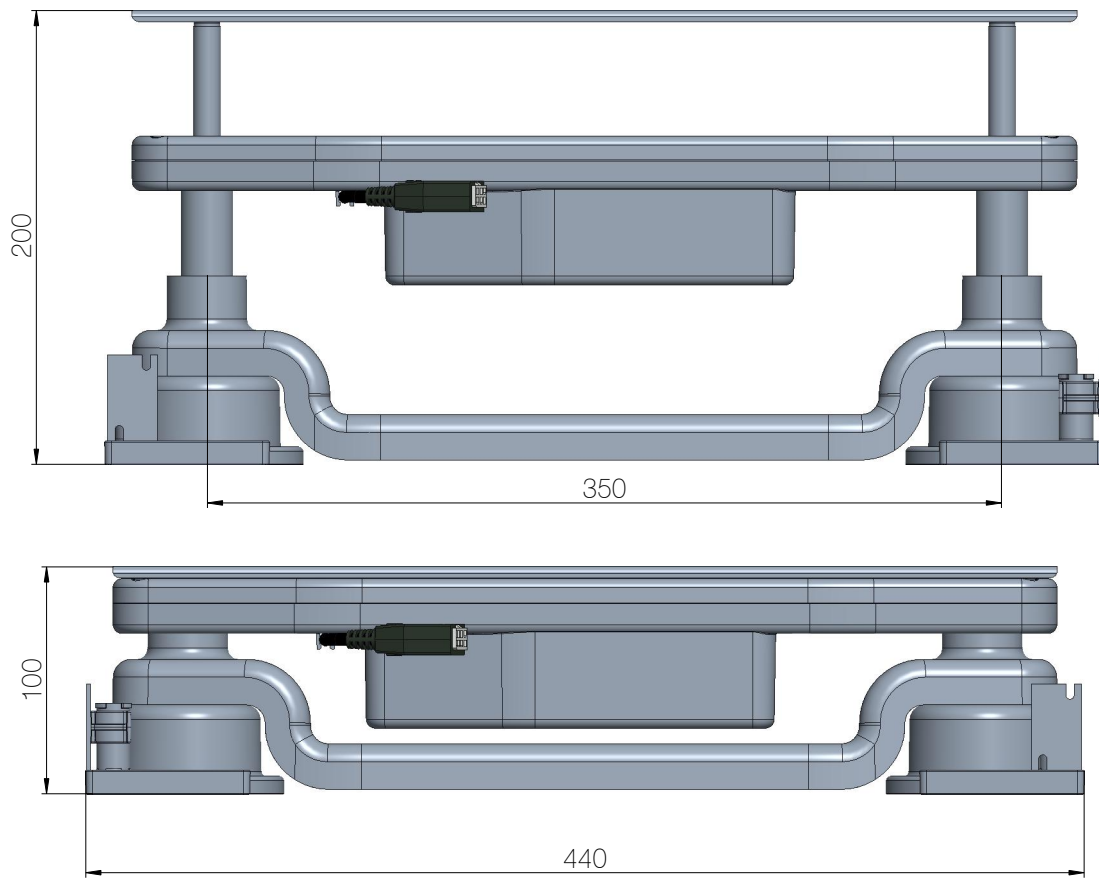
### Top view



Drawing no. 0504002

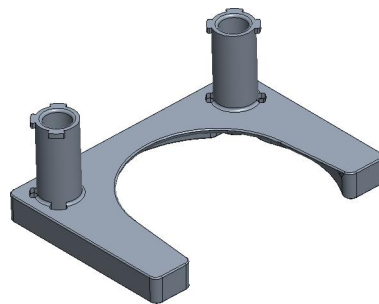
Figure 5 Top view

Side view



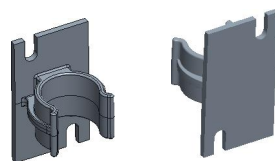
Drawing no. 0504002

Figure 6 Side view



Drawing no. 0504002

Figure 7 Mounting bracket (0501015) for mounting the Baselift™ to the floor



Drawing no. 0504002

Figure 8 Clips (0501017) for mounting the base cover to the Baselift™

# Contacts

## FACTORIES

Denmark - Headquarters  
 LINAK A/S  
 Phone: +45 73 15 15 15  
 Fax: +45 74 45 80 48  
 Fax (Sales): +45 73 15 16 13  
 Web: www.linak.com

China  
 LINAK (Shenzhen) Actuator Systems, Ltd.  
 Phone: +86 755 8610 6656  
 Phone: +86 755 8610 6990  
 Web: www.linak.cn

Slovakia  
 LINAK Slovakia s.r.o.  
 Phone: +421 51 7563 444  
 Web: www.linak.sk

Thailand  
 LINAK APAC Ltd.  
 Phone: +66 33 265 400  
 Web: www.linak.com

USA  
 LINAK U.S. Inc.  
 Americas Headquarters  
 Phone: +1 502 253 5595  
 Fax: +1 502 253 5596  
 Web: www.linak-us.com  
 www.linak-latinamerica.com

## SUBSIDIARIES

Australia  
 LINAK Australia Pty. Ltd  
 Phone: +61 3 8796 9777  
 Fax: +61 3 8796 9778  
 E-mail: sales@linak.com.au  
 Web: www.linak.com.au

Austria  
 LINAK Zweigniederlassung - Österreich (Wien)  
 Phone: +43 (1) 890 7446  
 Fax: +43 (1) 890 744615  
 E-mail: info@linak.de  
 Web: www.linak.at - www.linak.hu

Belgium  
 LINAK Actuator-Systems NV/SA  
 (Belgium & Luxembourg)  
 Phone: +32 (0)9 230 01 09  
 E-mail: beinfo@linak.be  
 Web: www.linak.be - www.fr.linak.be

Brazil  
 LINAK Do Brasil Comércio De Atuadores Ltda.  
 Phone: +55 (11) 2832 7070  
 Fax: +55 (11) 2832 7060  
 E-mail: info@linak.com.br  
 Web: www.linak.com.br

Canada  
 LINAK Canada Inc.  
 Phone: +1 502 253 5595  
 Fax: +1 416 255 7720  
 E-mail: info@linak.ca  
 Web: www.linak-us.com

Czech Republic  
 LINAK C&S s.r.o.  
 Phone: +42 058 174 1814  
 Fax: +42 058 170 2452  
 E-mail: info@linak.cz  
 Web: www.linak.cz - www.linak.sk

Denmark - International  
 LINAK International  
 Phone: +45 73 15 15 15  
 E-mail: info@linak.com  
 Web: www.linak.com

Denmark - Sales  
 LINAK Danmark A/S  
 Phone: +45 86 80 36 11  
 Fax: +45 86 82 90 51  
 E-mail: linak@linak-silkeborg.dk  
 Web: www.linak.dk

Finland  
 LINAK OY  
 Phone: +358 10 841 8700  
 E-mail: linak@linak.fi  
 Web: www.linak.fi

France  
 LINAK France E.U.R.L.  
 Phone: +33 (0) 2 41 36 34 34  
 Fax: +33 (0) 2 41 36 35 00  
 E-mail: linak@linak.fr  
 Web: www.linak.fr

Germany  
 LINAK GmbH  
 Phone: +49 6043 9655 0  
 Fax: +49 6043 9655 60  
 E-mail: info@linak.de  
 Web: www.linak.de

India  
 LINAK A/S India Liaison Office  
 Phone: +91 120 4531797  
 Fax: +91 120 4786428  
 E-mail: info@linak.in  
 Web: www.linak.in

Ireland  
 LINAK UK Limited (Ireland)  
 Phone: +44 (0)121 544 2211  
 Fax: +44 (0)121 544 2552  
 +44 (0)796 855 1606 (UK Mobile)  
 +35 387 634 6554 (Rep.of Ireland Mobile)  
 E-mail: sales@linak.co.uk  
 Web: www.linak.co.uk

Italy  
 LINAK ITALIA S.r.l.  
 Phone: +39 02 48 46 33 66  
 Fax: +39 02 48 46 82 52  
 E-mail: info@linak.it  
 Web: www.linak.it

Japan  
 LINAK K.K.  
 Phone: 81-45-533-0802  
 Fax: 81-45-533-0803  
 E-mail: linak@linak.jp  
 Web: www.linak.jp

Malaysia  
 LINAK Actuators Sdn. Bhd.  
 Phone: +60 4 210 6500  
 Fax: +60 4 226 8901  
 E-mail: info@linak-asia.com  
 Web: www.linak.my

Netherlands  
 LINAK Actuator-Systems B.V.  
 Phone: +31 76 5 42 44 40 /  
 +31 76 200 11 10  
 E-mail: info@linak.nl  
 Web: www.linak.nl

New Zealand  
 LINAK New Zealand Ltd  
 Phone: +64 9580 2071  
 Fax: +64 9580 2072  
 E-mail: nzsales@linak.com.au  
 Web: www.linak.com.au

Norway  
 LINAK Norge AS  
 Phone: +47 32 82 90 90  
 E-mail: info@linak.no  
 Web: www.linak.no

Poland  
 LINAK Polska  
 LINAK Danmark A/S (Spółka Akcyjna)  
 Phone: +48 22 295 09 70 /  
 +48 22 295 09 71  
 E-mail: info@linak.pl  
 Web: www.linak.pl

Republic of Korea  
 LINAK Korea Ltd.  
 Phone: +82 2 6231 1515  
 Fax: +82 2 6231 1516  
 E-mail: info@linak.kr  
 Web: www.linak.kr

Slovakia  
 LINAK Slovakia S.R.O.  
 Phone: +421 51 7563 444  
 Web: www.linak.sk

Spain  
 LINAK Actuadores, S.L.u  
 Phone: +34 93 588 27 77  
 Fax: +34 93 588 27 85  
 E-mail: esma@linak.es  
 Web: www.linak.es

Sweden  
 LINAK Scandinavia AB  
 Phone: +46 8 732 20 00  
 Fax: +46 8 732 20 50  
 E-mail: info@linak.se  
 Web: www.linak.se

Switzerland  
 LINAK AG  
 Phone: +41 43 388 31 88  
 E-mail: info@linak.ch  
 Web: www.linak.ch - www.fr.linak.ch  
 www.it.linak.ch

Taiwan  
 LINAK (Shenzhen) Actuator systems Ltd.  
 Taiwan Representative office  
 Phone: +886 2 272 90068  
 Fax: +886 2 272 90096  
 E-mail: sales@linak.com.tw  
 Web: www.linak.com.tw

Turkey  
 LINAK İth. İhr. San. ve Tic. A.Ş.  
 Phone: +90 312 4726338  
 Fax: +90 312 4726635  
 E-mail: info@linak.com.tr  
 Web: www.linak.com.tr

United Kingdom  
 LINAK UK Limited  
 Phone: +44 (0)121 544 2211  
 Fax: +44 (0)121 544 2552  
 E-mail: sales@linak.co.uk  
 Web: www.linak.co.uk

## DISTRIBUTORS

Argentina  
 Novotec Argentina SRL  
 Phone: 011-4303-8989 / 8900  
 Fax: 011-4032-0184  
 E-mail: info@novotecargentina.com  
 Web: www.novotecargentina.com

Colombia  
 MEM Ltda  
 Phone: +[57] (1) 334-7666  
 Fax: +[57] (1) 282-1684  
 E-mail: servicioalcliente@memltda.com.co  
 Web: www.mem.net.co

India  
 Mechatronics Control Equipments India Pvt Ltd  
 Phone: +91-44-28558484, 85  
 E-mail: bala@mechatronicscontrol.com  
 Web: www.mechatronicscontrol.com

Indonesia  
 PT. Himalaya Everest Jaya  
 Phone: +6 221 544 8956 /+6 221 544 8965  
 Fax: +6 221 619 1925  
 Fax (Sales): +6 221 619 4658  
 E-mail: hejplastic-div@centrin.net.id  
 Web: www.hej.co.id

Israel  
 NetivTech LTD  
 Phone: +972 55-2266-535  
 Fax: +972 2-9900-560  
 Email: info@NetivTech.com  
 Web: www.netivtech.com

Singapore  
 Servo Dynamics Pte Ltd  
 Phone: +65 6844 0288  
 Fax: +65 6844 0070  
 E-mail: servodynamics@servo.com.sg

South Africa  
 Industrial Specialised Applications CC  
 Phone: +27 011 466 0346  
 E-mail: gartht@isagroup.co.za  
 Web: www.isaza.co.za

United Arab Emirates  
 Mechatronics  
 Phone: +971 4 267 4311  
 Fax: +971 4 267 4312  
 E-mail: mechtron@emirates.net.ae

## Terms of use

LINAK® takes great care in providing accurate and up-to-date information on its products. However, the user is responsible for determining the suitability of LINAK products for a specific application. Due to continual development, LINAK products are subject to frequent modifications and changes. LINAK reserves the rights to conduct modifications, updates, and changes without any prior notice. For the same reason, LINAK cannot guarantee the correctness and actual status of imprinted information on its products.

LINAK uses its best efforts to fulfil orders. However, for the reasons mentioned above, LINAK cannot guarantee availability of any particular product at any given time. LINAK reserves the right to discontinue the sale of any product displayed on its website or listed in its catalogues or in other written material created and produced by LINAK, LINAK subsidiaries, or LINAK affiliates. All sales are subject to the 'Standard Terms of Sale and Delivery for LINAK A/S' available on LINAK websites. LINAK and the LINAK logotype are registered trademarks of LINAK A/S. All rights reserved.