

# DL20 IC and DL21 IC system **User Manual**



## Contents

Preface .....	3
Important safety information .....	4
Important safety information .....	5
The DESKLINE® system .....	6
Intended use .....	6
Warranty .....	6
Products .....	7
Safety instructions.....	8
Important safety instructions.....	8
General .....	8
Before installation, re-installation, cleaning, or troubleshooting .....	9
Before start-up .....	9
During operation .....	9
Repairs .....	10
Consignes importantes de sécurité.....	11
Declaration of Conformity.....	12
Manufacturer's declaration.....	14
Installation .....	15
Mounting the column.....	15
Mounting the feet .....	16
Disassembly.....	18
Column with bracket.....	19
Assembling a bench system .....	20
Bench options .....	21
Privacy screen .....	22
Mounting the tabletop .....	23
Mounting the locking device (SMPS001/SMPS002) .....	24
Mounting the bracket (SMPS006/SMPS007).....	25
Connection.....	26
Operation .....	27
Maintenance.....	28
Cleaning the desk panel .....	28
Repair and disposal.....	29
Servicing double-insulated products.....	29
Accessories and spare parts.....	29
Contacts .....	30

## Preface

Dear User,

We are delighted that you have chosen a LINAK® product.

LINAK systems are high-tech products based on many years of experience in the manufacture and development of actuators, lifting columns, desk frames, electric control boxes, controls, batteries, accessories and chargers.

This User Manual does not address the end user. It is intended as a source of information for the equipment or system manufacturer only, and it will tell you how to install, use and maintain your LINAK electronics. The manufacturer of the end product has the responsibility to provide a User Manual, where relevant safety information from this manual is passed on to the end user.

We are convinced that your LINAK product/system will give you many years of problem-free operation.

Before our products leave the factory, they undergo both function and quality testing. Should you, nevertheless, experience problems with your product/system, you are always welcome to contact your supplier.

LINAK subsidiaries and some distributors situated all over the world have authorised service centres, which are always ready to help you. Locate your local contact information on the back page.

LINAK provides a warranty on all products, see [Warranty](#).

This warranty, however, is subject to correct use in accordance with the specifications, maintenance being done correctly, and any repairs being carried out at a service centre, which is authorised to repair LINAK products.

Changes in installation and use of LINAK systems can affect their operation and durability. The products may only be opened by authorised personnel.

This User Manual has been written based on the present technical knowledge. LINAK reserves the right to carry out technical modifications and keeps the associated information updated.

**LINAK A/S**

## Important safety information

Safe use of the system is possible only when this document is read completely and the instructions contained are strictly observed.

Failure to comply with instructions marked with the "NOTICE" symbol may result in serious damage to the system or one of its components.

Read all instructions before using this product.

Important safety information on LINAK® products can be found under the following heading(s):



### **DANGER**

Failure to comply with these instructions will result in severe personal injury.



### **WARNING**

Failure to comply with these instructions may result in severe personal injury.



### **CAUTION**

Failure to comply with these instructions can result in minor personal injury.



### **NOTICE**

Failure to comply with these instructions can result in property damage.

## READ AND SAVE THESE INSTRUCTIONS

## Informations importantes en matière de sécurité

Une utilisation sûre du système n'est possible que lorsque ce document est lu dans son intégralité et que les instructions qu'il contient sont strictement respectées.

Le non-respect des instructions marquées du symbole "AVIS" peut entraîner de graves dommages au système ou à l'un de ses composants.

Lisez toutes les instructions avant d'utiliser ce produit.

Des informations de sécurité importantes sur les produits LINAK® sont disponibles dans la ou les rubriques suivantes :



### **DANGER**

Le non-respect de ces instructions entraînera des blessures graves.



### **AVERTISSEMENT**

Le non-respect de ces instructions peut entraîner des blessures graves.



### **ATTENTION**

Le non-respect de ces instructions peut entraîner des blessures corporelles légères.



### **AVIS**

Le non-respect de ces instructions peut entraîner des dommages matériels.

## LIRE ET CONSERVER CES INSTRUCTIONS

## The DESKLINE® system

This system is a DESKLINE system developed for desks

The actuator system has a sound level below 55 dB (A) in typical applications.

### Intended use

This product is intended for use indoors in household and commercial usage areas.

Parameter	Operation	Storage and transportation
Temperature	10 to 40 °C	-10 to +50 °C
Relative humidity	20% to 80% - non-condensing	20% to 80% - non-condensing
Atmospheric pressure	800 to 1060 hPa	700 to 1060 hPa
Altitude	Max. 2000 m	N/A



Do not use outdoors or in wet areas.



Do not use it in environments that have to be cleaned with aggressive detergents.

### Warranty

The warranty terms for DESKLINE products are described in this warranty paper:





<https://cdn.linak.com/-/media/files/warranty/warranty-paper-deskline-eng.pdf>

## Products

### DESKLIFT™ columns

<p><b>DL20 IC</b></p>  <ul style="list-style-type: none"> <li>• 2-part PLUS™ column</li> </ul>	<p><b>DL21 IC</b></p>  <ul style="list-style-type: none"> <li>• 3-part PLUS™ column</li> </ul>
---	---

### Switch Mode Power Supply (SMPS)

<p><b>SMPS001</b></p>  <ul style="list-style-type: none"> <li>• 230 V AC</li> </ul>	<p><b>SMPS002</b></p>  <ul style="list-style-type: none"> <li>• 120 V AC</li> </ul>	<p><b>SMPS006</b></p>  <ul style="list-style-type: none"> <li>• 100 - 240 V AC</li> </ul>	<p><b>SMPS007</b></p>  <ul style="list-style-type: none"> <li>• 100 - 120 V AC</li> </ul>
--	--	--	--

### Desk panels

With up/down drive	<ul style="list-style-type: none"> <li>• DPA</li> <li>• DPB</li> <li>• DPH</li> </ul>	<ul style="list-style-type: none"> <li>• DP1K</li> <li>• DPF1K</li> <li>• DPG1K</li> <li>• DPI1K</li> </ul>
Desk panels with display	<ul style="list-style-type: none"> <li>• DPF1D</li> </ul>	
Desk panels with memory	<ul style="list-style-type: none"> <li>• DPF1M</li> </ul>	<ul style="list-style-type: none"> <li>• DPG1M</li> <li>• DPG1B</li> </ul>
Desk panels with display and memory	<ul style="list-style-type: none"> <li>• DP1CS</li> <li>• DPT</li> </ul>	<ul style="list-style-type: none"> <li>• DPF1C</li> <li>• DPG1C</li> <li>• DP1C</li> </ul>

## Safety instructions

### Important safety instructions

#### General



#### **DANGER**

##### **Plugged-in products**

Risk of electric shock

- Always unplug this product from the electrical outlet before assembling, disassembling, cleaning, or servicing.
- Only use the product indoors in dry locations.



#### **WARNING**

##### **General precautions**

Risk of burns, fire, electric shock, or injury to persons

- Unplug from outlet before putting on or taking off parts.
- It is important that everyone who is to connect, install, or use the systems has the necessary information and access to this User Manual. Follow the instructions for mounting - there is a risk of injury if these instructions are not followed.
- Close supervision is necessary when this product is used by or near children, invalids, or disabled persons.
- If there is visible damage to the product, do not install or use the product.
- Ensure that the cable and the plug are not damaged, and keep the cable away from heated surfaces.
- Use this product only for its intended use as described in this User Manual. Do not use attachments not recommended by the manufacturer.
- Never insert any object into any opening.
- During construction of applications in which the system is to be fitted, there must be no risk of personal injury, for example squeezing of fingers or arms.
- Do not open the product.



#### **CAUTION**

##### **Objects above and below the desk**

Risk of personal injury and material damage

- Ensure free space above and below the application to avoid entrapment and blocking the movement in either direction.



## WARNING

- This appliance can be used by children aged from 8 years, and by persons with reduced physical, sensory or mental capabilities, or lack of experience and knowledge, if they have been given supervision or instruction concerning use of the appliance in a safe way and understand the hazards involved.
- Children shall not play with the appliance. Cleaning and user maintenance shall not be made by children without supervision.

### Only for US and Canadian markets

- Persons who do not have the necessary experience or knowledge of the product/products must not use the product/products. Besides, persons with reduced physical, sensory, or mental abilities must not use the product/products, unless they are under surveillance or they have been thoroughly instructed in the use of the apparatus by a person who is responsible for the safety of these persons.
- Moreover, children must be under surveillance to ensure that they do not play with the product.
- It is the operator's responsibility to ensure that there is free space for the application to move without risk for the operator or bystanders before operating the application.

### Before installation, re-installation, cleaning, or troubleshooting

- Stop the system.
- Unplug the power cable.
- Relieve the system of any loads, which may be released during the work.
- Review the assembly instructions to confirm that the appropriate critical components and accessories are being used with this product.

### Before start-up

- Make sure that the system has been installed as instructed in this User Manual.
- Make sure to use only the power supply type SMPS001, SMPS002, SMPS006, or SMPS007 that is supplied with the system.  
Do not cover the power supply during operation to allow sufficient cooling of the appliance.
- Always use the supplied power cable.

### During operation

- If the system makes unusual noise or smells, unplug the mains cable immediately.
- Observe the maximum load/self-lock (per column)

Column	Max. load (N)		Self-lock (N)	
	SMPS001/SMPS002	SMPS006/SMPS007	SMPS001/SMPS002	SMPS006/SMPS007
Two-part	500	500	500	500
Three-part	500	700	500	700

- Duty cycle: 10 %, max. 2 minutes continuous use at full load followed by 18 minutes pause.
- Take care that the cables are not damaged.



## CAUTION

### Load on the desk

Risk of injury to persons and of malfunction

- Do not overload the frame.
- Place heavy load centrally on the desk.
- Do not use the desk as a work bench.
- Do not use the frame for lifting persons.
- Do not stand on the desk while it is driving up or down.



## NOTICE

### Duty cycle

Risk of malfunction

- Do not exceed the duty cycle.

## Repairs



## WARNING

### Opening the product

Risk of injury to persons

- Do not open the DESKLINE® product.

In order to avoid the risk of malfunction, all DESKLINE® repairs must only be carried out by authorised LINAK workshops or repairers, as special tools must be used and special gaskets must be fitted. Lifting units under warranty must also be returned to authorised LINAK workshops.

## Consignes importantes de sécurité



### AVERTISSEMENT

- Cet appareil peut-être utilisé par des enfants âgés de 8 ans et plus, ainsi que les personnes dont les capacités physiques, sensorielles ou mentales sont réduites ou ayant un manque d'expérience et de connaissance si elles ont bénéficié d'une surveillance ou d'instructions concernant l'utilisation de l'appareil en toute sécurité et compris les risques encourus.
- Les enfants ne doivent pas jouer avec l'appareil. Le nettoyage et l'entretien ne doivent pas être réalisés par des enfants sans surveillance

### Seulement pour les marchés américains et canadiens

- Les personnes qui n'ont pas l'expérience ou les connaissances nécessaires sur le ou les produit(s) ne doivent pas le ou les utiliser. Par ailleurs, les personnes ayant des capacités physiques, sensorielles ou mentales réduites ne doivent pas utiliser le ou les produit(s), sauf si elles sont sous surveillance ou ont suivi une formation approfondie de l'utilisation de l'appareil par l'individu responsable de la sécurité de ces personnes.
- De plus, les enfants doivent-être sous surveillance afin de s'assurer qu'ils ne jouent pas avec le produit.
- Il est de la responsabilité de l'opérateur de s'assurer qu'il y a de l'espace libre pour que l'application puisse se déplacer sans risque pour l'opérateur ou les passants avant d'utiliser l'application.



### ATTENTION

#### Charge sur le bureau

##### Risque de dommages corporels et de dysfonctionnement

- Ne pas surcharger le cadre.
- Placer la charge lourde au centre du bureau.
- Ne pas utiliser le bureau comme table de travail.
- Ne pas utiliser le cadre pour soulever des personnes.
- Ne vous tenez pas debout sur le bureau pendant qu'il monte ou descend.

## Declaration of Conformity



### EU DECLARATION OF CONFORMITY

LINAK A/S  
Smedevænget 8  
DK - 6430 Nordborg

hereby declares under our sole responsibility that LINAK Actuator System, model: **DLIC**, for use in elevation tables:

with main component (marked with CE):

**Lifting Column** with integrated control, DLIC (Master, M): DLXXXXXXMXXXXXX

For columns: DL5, DL6, DL8, DL9, DL10, DL11, DL15, DL16, DL18, DL19, DL20, DL21

together with an optional combination of:

**Passive Actuators**, DLIC (Follower, S) DLXXXXXSXXXXX

For columns: DL5, DL6, DL8, DL9, DL10, DL11, DL15, DL16, DL18, DL19, DL20, DL21

And

**Power Unit:** SMPS006 (ASW0552-29020002B), SMPS001 (ASW0539-24020002A)

And

**Control panel** DPA, DPB, DPH, DP1K, DP1CS, DPT, RFRL, DPF1K, DPF1M, DPF1C, DPF1D, DPG1K, DPG1M, DPG1B, DPG1C, DPI-C, DPI-K

And

**Accessory:** DESK SENSOR 1

complies with the EMC Directive: **2014/30/EU** (OJ L 96, 29.3.2014, p. 79–106) according to following standard: EN 61000-6-1:2007, EN 61000-6-3:2007/A1:2011/AC:2012

complies with Low Voltage Directive **2006/95/EC** (OJ L 96, 29.3.2014, p. 357–374) according to the standards: EN 60335-1:2012 + AC:2014 + A11:2014 + A13:2017 + A1:2019 + A14:2019 + A2:2019 + A15:2021

complies with Directive **2011/65/EU** of the European Parliament and of the Council of 8 June 2011 on the restriction of the use of certain hazardous substances in electrical and electronic equipment (OJ L 174, 1.7.2011, p. 88–110) and Directive **2015/863** (OJ L 137, 4.6.2015, p. 10–12) (amending Annex II to Directive 2011/65/EU) according to the standard: EN IEC 63000:2018

Nordborg, 2023-06-26

**LINAK A/S**  
Dragan Macura  
Regulatory Compliance Manager  
Deskline and Homeline Segments  
Authorized to compile the relevant technical documentation

Original Declaration 



## EU DECLARATION OF CONFORMITY

**LINAK A/S**  
Smedevænget 8  
DK - 6430 Nordborg

Hereby declares under our sole responsibility that LINAK® Switch Mode Power Supply, type SMPS006 (ASW0552-29020002B) and SMPS001 (ASW0539-24020002A)

complies with the EMC Directive **2014/30/EU** (*OJ L 96, 29.3.2014, p. 79–106*) according to following standards:  
EN 55014-1:2017/A11:2020,  
EN 55014-2:1997/A2:2008,  
EN 61000-3-2:2014,  
EN 61000-3-3:2013,  
EN 61000-6-2:2005/AC:2005,  
EN 61000-6-3:2007/A1:2011/AC:2012

complies with Low Voltage Directive **2014/35/EU** (*OJ L 96, 29.3.2014, p. 357–374*) according to the following standards:  
EN IEC 61558-1:2019,  
EN 61558-2-16:2009 + A1:2013

complies with regulation **2019/1782** (*OJ L 272, 25.10.2019, p. 95–106*) Ecodesign requirements for external power supplies, pursuant to Directive **2009/125/EC** (*OJ L 285, 31.10.2009, p. 10–35*) Ecodesign requirements for energy-related products according to the following standard:  
EN 50563:2011 + A1:2013

complies with Directive **2011/65/EU** of the European Parliament and of the Council of 8 June 2011 on the restriction of the use of certain hazardous substances in electrical and electronic equipment (*OJ L 174, 1.7.2011, p. 88–110*) and Directive **2015/863** (*OJ L 137, 4.6.2015, p. 10–12*) (amending Annex II to Directive 2011/65/EU) according to the following standard:  
EN IEC 63000:2018

Nordborg, 2023-03-16

**LINAK A/S**  
Dragan Macura  
Regulatory Compliance Manager  
Deskline and Homeline Segments  
Authorized to compile the relevant technical documentation

Original Declaration

A handwritten signature in blue ink, appearing to be "Dragan Macura", is written over the printed name and title of the Regulatory Compliance Manager.

# Manufacturer's declaration

## DECLARATION OF INCORPORATION OF PARTLY COMPLETED MACHINERY

**LINAK A/S**  
Smedevænget 8  
DK - 6430 Nordborg

Herewith declares that LINAK DESKLINE® products as characterized by the following models and types:

**Master and follower:** DLXXXXXXMXXXXXX and DLXXXXXSXXXXXX

**Desk Panels:** DP1C, DP1K, DPT, DPB, DPF, DP1L, DP1V, DPA, DPH, DP1U, WDPL1, DPG

**Power supply:** SMPS006, SMPS001

**Accessory:** KNC1a00bbcddd-eeee, where a can be 0 or 1; bb can be 00 or 01; c can be A, B or C; dddd can be max 1340; and -eeee can be max 1940 or -eeee not used for fixed version. And DLFaab11cddd000, where aa can be 06, 11, or 19; b can be 1 or 2; c can be A, B or D; and ddd can be 560 or 710

complies with the following parts of the Machinery Directive 2006/42/EC, ANNEX I, *Essential health and safety requirements relating to the design and construction of machinery*:

- 1.1.2 a) Special use\*
- 1.1.2 b) Selection of the most appropriate methods\*
- 1.1.2 c) Foreseeable misuse\*
- 1.1.2 d) Operator constrains due to the use of personal protective equipment\*

1.1.3 Materials and products\*

- 1.2.1 Safety and reliability of control systems
- 1.2.2 Control devices. Shape, readability, overview\*
- 1.2.3 Starting\*
- 1.2.4 Stopping\*

- 1.5.1 Electricity supply
- 1.5.10 Radiation. EMC. Emission of electromagnetic radiation, X-rays,  $\gamma$ -rays\*
- 1.5.11 External radiation\*

\*need to be further evaluated in the end product

We confirm that prior to market introduction the relevant technical documentation is compiled in accordance with part B of Annex VII and the assembly instruction pursuant to Annex VI.

This documentation or part hereof will be transmitted by post or electronically to a reasoned request by the national authorities.

The products mentioned in this document are to be combined for use in height adjustable furniture.

**This partly completed machinery must not be put into service until the final machinery into which it is to be incorporated has been declared in conformity with the provisions of the Machinery Directive 2006/42/EC where appropriate.**

Nordborg, 2020-12-14

**LINAK A/S**  
Dragan Macura  
Regulatory Compliance Manager  
Deskline and Homeline Segments  
Authorized to compile the relevant technical documentation

Original Declaration

## Installation



### WARNING

#### Plastic bags

##### Risk of suffocation

- Keep the plastic bags away from babies and children.



LINAK recommends using the DESKLINE® system in push applications with the motor housing mounted upwards.



Do not bolt the columns to the floor so that free movement is obstructed. This could cause serious damage to the columns in fault situations.

## Mounting the column

### Mounting the motor housing

The motor housing has six M6 threaded holes for mounting on the top frame.

1. Mount the motor housing on the top frame using six M6 screws with the following specifications:  
Quality: Min. grade 8.8  
Length: Max. 10 mm (plus top frame thickness). The screw must not go further than max. 10 mm into the motor housing
2. Fasten the screws thoroughly (torque: max. 7.5 Nm).

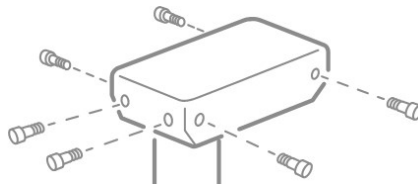


Figure 1 Always use six M6 screws for mounting the motor housing on the top frame

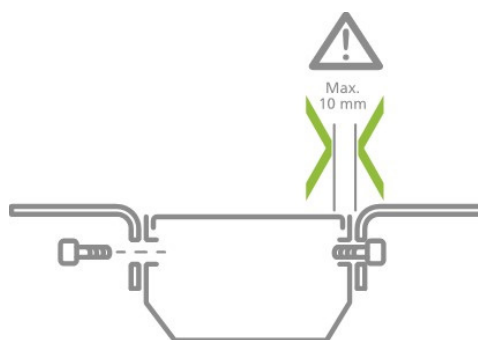


Figure 2 Mounting screws must not go further than max. 10 mm into the motor housing



Sufficient stability of the desk is only obtained if all six M6 screws are used for mounting the motor housing on the top frame. Tests with fixing the motor housing using only four M6 screws have proved that the torsional stability of the desk is insufficient.

Alternatively, use the Kick & Click™ top frame and avoid screws to get easy desk assembly. Visit the [Kick & Click](#) product website for further details.

## Mounting the feet

### On-top or recessed

The bottom plate has four M6 and two M8 threaded holes.

1. Mount the desk foot on the column bottom using four M6 or two M8 screws with the following specifications:  
 Quality: Min. grade 8.8  
 Length: Min. 10 mm (plus foot thickness);  
 Max. 16 mm (plus foot thickness) for M6  
 Max. 14 mm (plus foot thickness) for M8
2. Fasten the screws thoroughly (torque: max. 10 Nm).

The holes in the foot must be sufficiently larger than  $\varnothing 6/\varnothing 8$  to ensure space for the screw heads to be screwed fully into the foot.

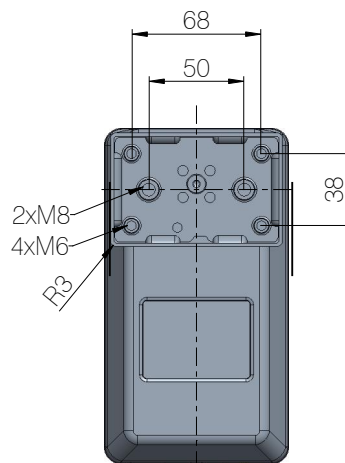


Figure 3 Bottom plate

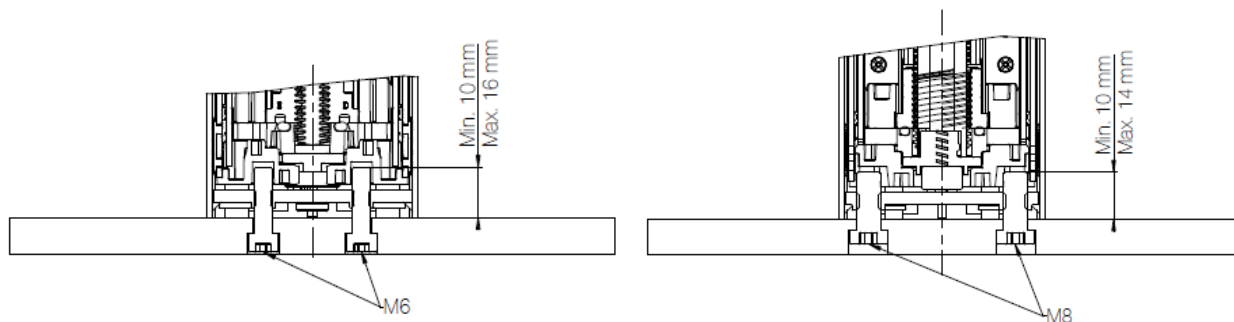
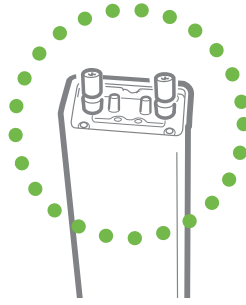


Figure 4 Column bottom mounted on desk foot (left: M6; right: M8)

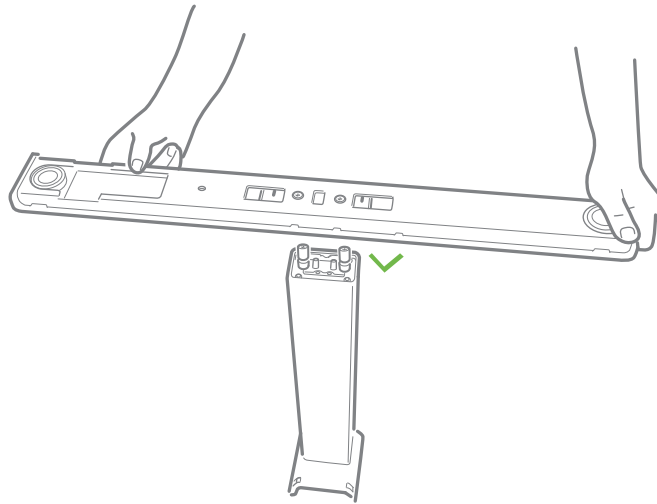
## Click-on (option for DL21 IC PLUS™)

The column is delivered with two pre-mounted mounting screws.

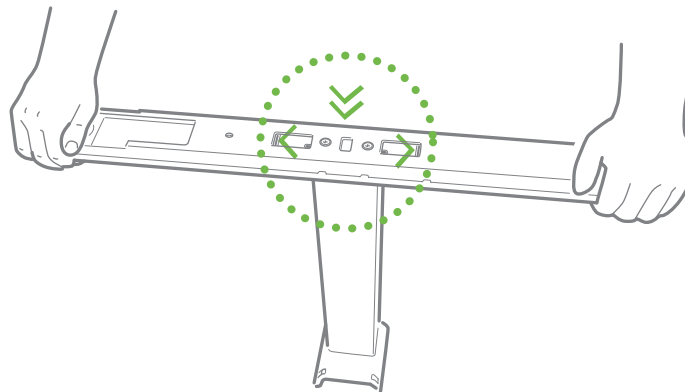


## Mounting

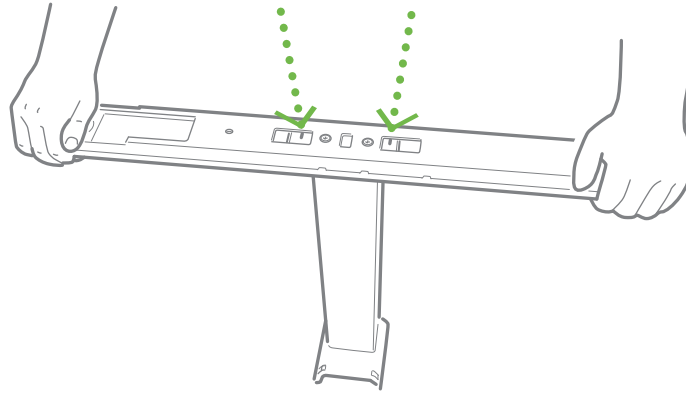
1. Align the holes in the foot with the screws on the column.



2. Press down quickly until a 'Click' is heard.



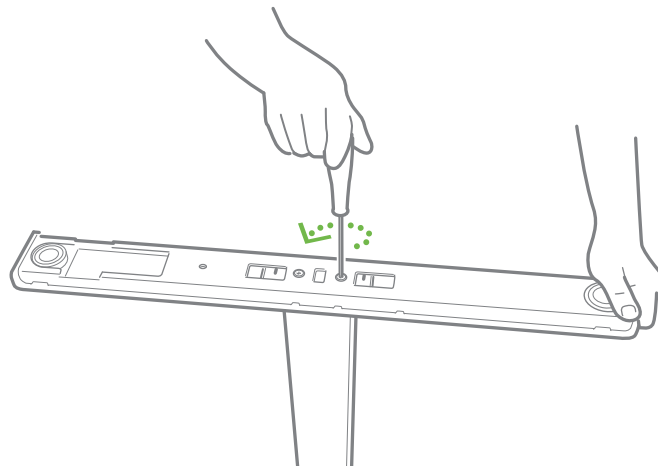
3. Ensure that locking plates snap inwards and lock the screws.



The foot is now mounted on the column.

## Disassembly

1. Unscrew the two M8 screws until both mounting screws are loosened completely. Switch between the two screws after approximately five turns.

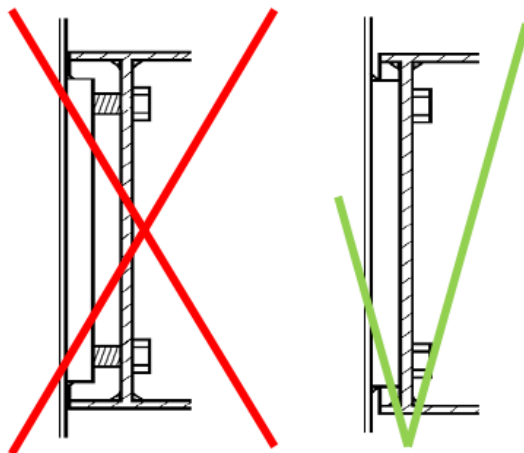


2. Remove the foot from the column.

## Column with bracket

When mounting a crossbar or a cross member on a bracket, it is important to ensure that the bracket is not pulled from the column when tightening the crossbar / cross member.

Follow these guidelines when constructing a desk:



Do not pull the bracket from the column when tightening the screws for the assembly.



The maximum torque for tightening the screws in the bracket is 15 Nm.

To avoid damage to the column there must be at least 1 mm space between the ends of the two M8 screws for the mounting bracket and the column surface. Too long screws will damage the column.

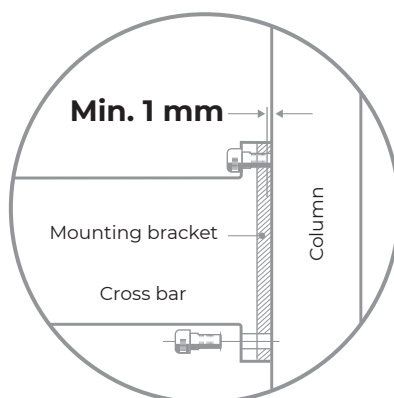
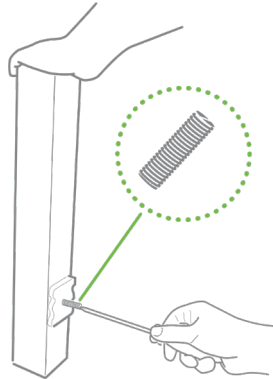


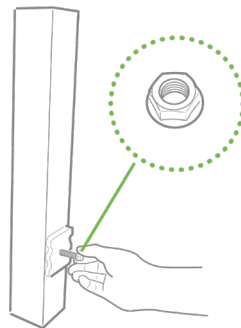
Figure 5 Requirement: Min. 1 mm space between ends of screws and column surface

## Assembling a bench system

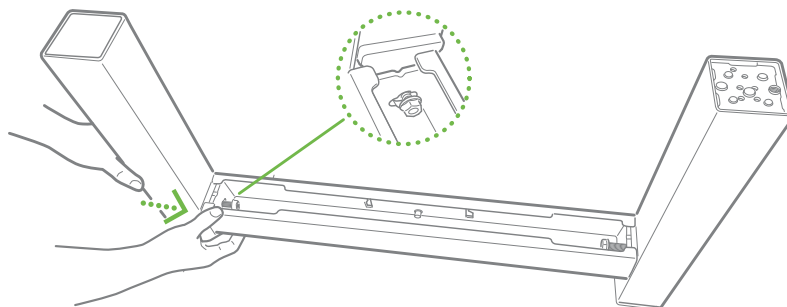
1. Mount the cross members.
  - 1.1. Mount the M8 x 40 mm threaded pins in the bench brackets on the columns.
  - 1.2. Use a screwdriver to fasten the pins (max. torque 2 Nm).



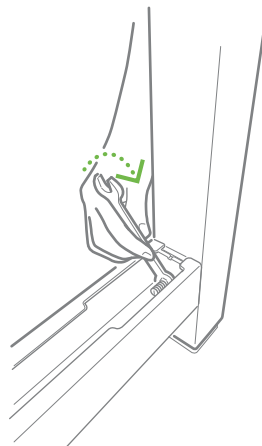
- 1.3. Mount a hex flange nut on each pin.



- 1.4. Place the cross members on the pins using the guiding holes in the cross members. The opening in the cross member must face upwards.



- 1.5. Fasten the hex flange nuts by hand and tighten them using an M8 wrench (max. torque 16 Nm).



The bench system is now assembled.

## Bench options

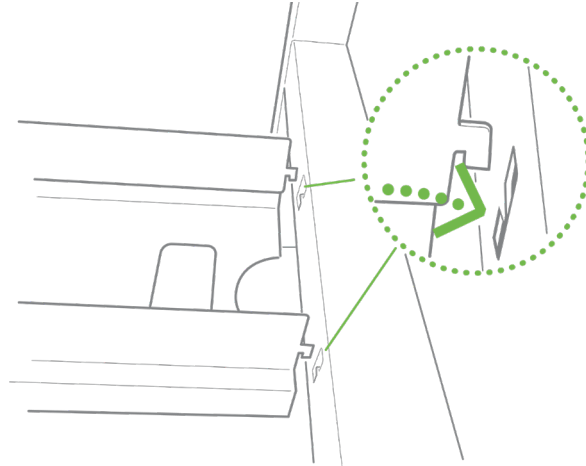
### Cable tray

A cable tray can be mounted in a bench system to ease cable management.

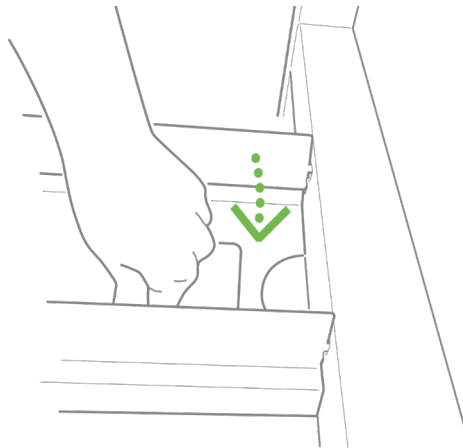


Be careful not to squeeze cable or fingers when adjusting the cable tray length.

1. Place the hooks on the cable tray bottom part in the slots on one of the cross members.



2. Press down until a click is heard and the cable tray is fixed in place.



3. Extend the cable tray to fit the distance between the cross members and mount the cable tray on the other cross member.
4. Extend the cable tray top part to fit the bottom part length and place the top part on the bottom part.

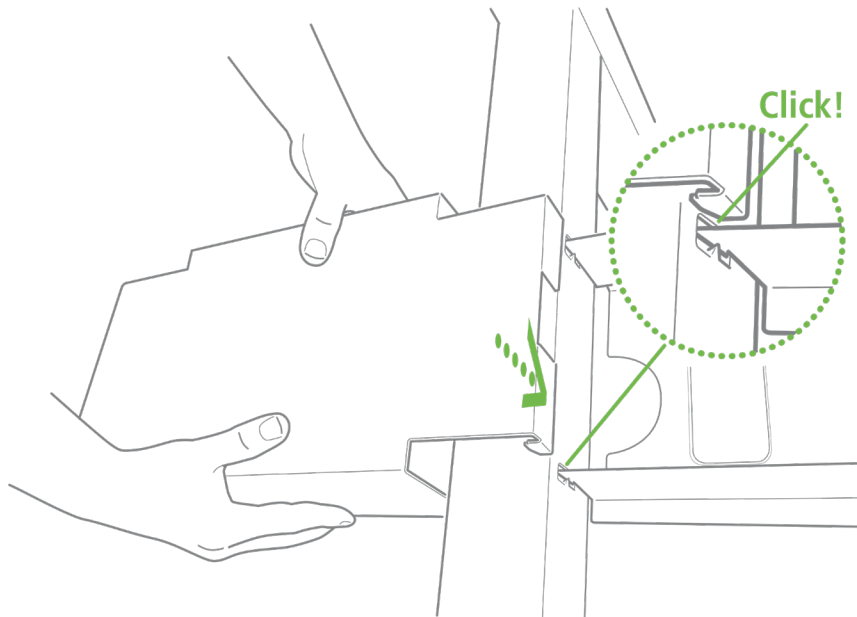


Do not use the cable tray as a foot rest, a stair, or a shelf. There is a risk of falling down and getting squeezed or injured.

## Bridge

For connecting multiple bench systems, use a bridge.

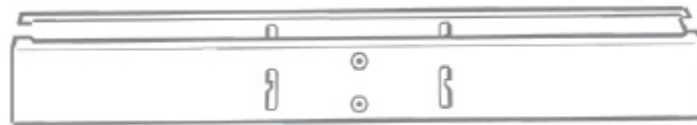
1. Place the bridge on top of the cross member on two bench systems and press down until a click is heard.



The two bench systems are now connected.

## Privacy screen

The cross members have two M6 holes for mounting a privacy screen between two benched desks.



Max. torque: 10 Nm.

## Mounting the tabletop

The sound from the lifting column spreads as vibrations to the tabletop which amplifies the sound. This can, however, be reduced.

1. Place vibration/shock-absorbing material between tabletop and top frame.

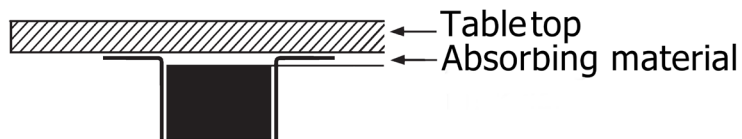


Figure 6 Assembled desk

## Placing the monitor

Placement of a monitor directly above the motor housing may cause malfunction of the monitor. Magnets inside the motor may interrupt the picture on the monitor depending on the distance and type of monitor. If this is the case, the problem may be solved by placing an iron plate/tube or another magnetic material, somewhat larger than the motor housing, between the motor and the tabletop.

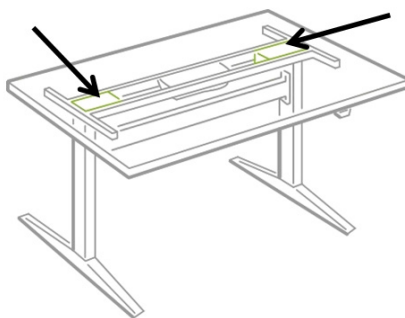


Figure 7 Recommended placement of an iron plate/tube or another magnetic material

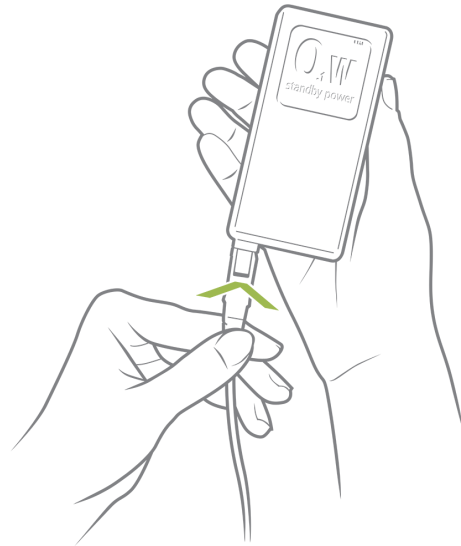
## Mounting the locking device (SMPS001/SMPS002)

To ensure optimal cable relief on the SMPS001/002 a locking device (0705889) should be used. Follow the guide below on how to fix the locking device on the SMPS.

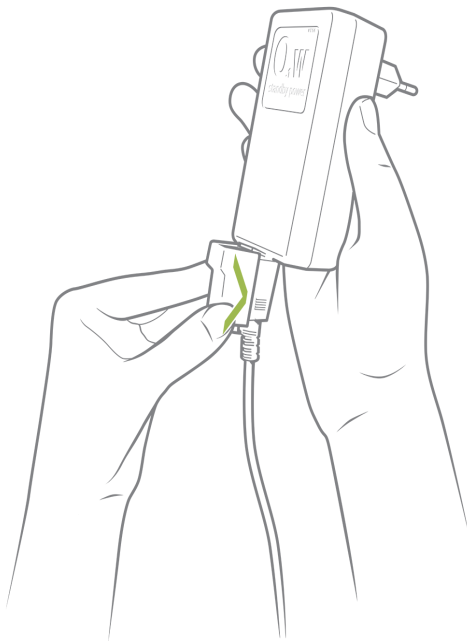
1. Take the SMPS



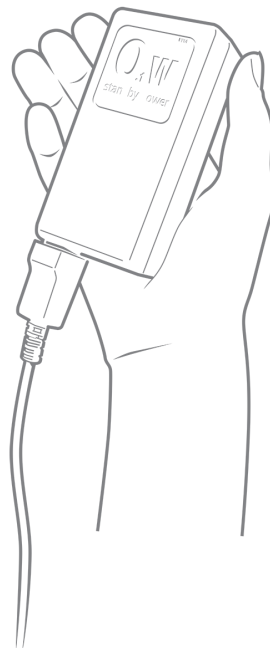
2. Plug the 2-poled DC cable in the SMPS



3. Slide the locking device on

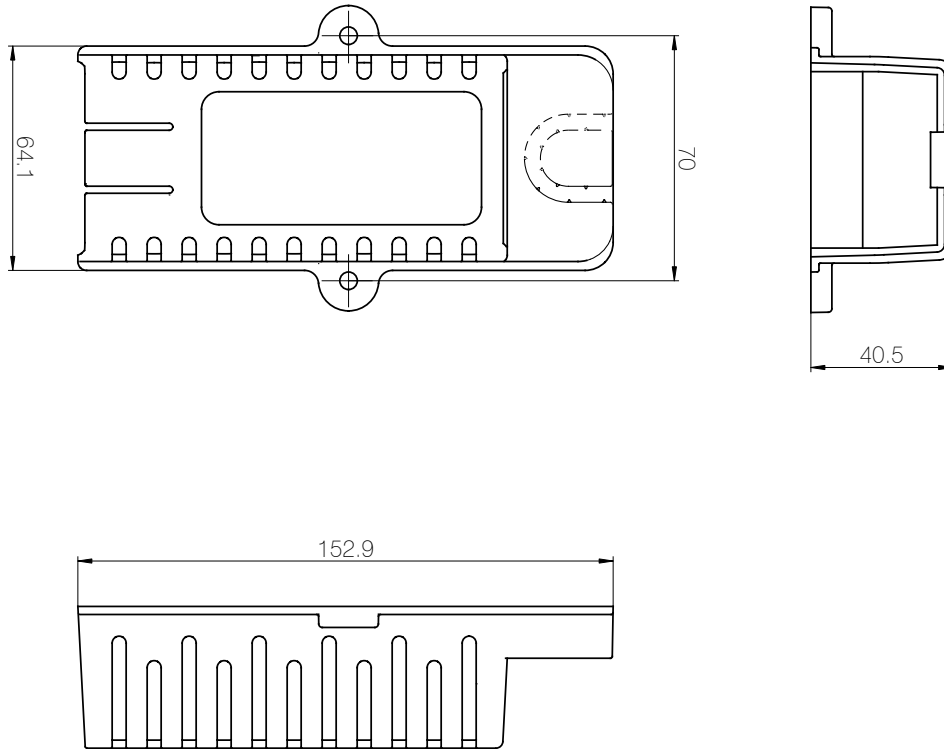


4. The cable is now fully secured.



## Mounting the bracket (SMPS006/SMPS007)

A bracket for mounting the SMPS006 onto the application to give a fixed placement and ensure cable relief for the mains cable. Must be ordered separately (SA0705890). The bracket must be fastened with two wood screws with a pan head. The mains cable port of the SMPS006 must face towards the cable relief on the mounting bracket.



## Connection

Items required:



Motor cable

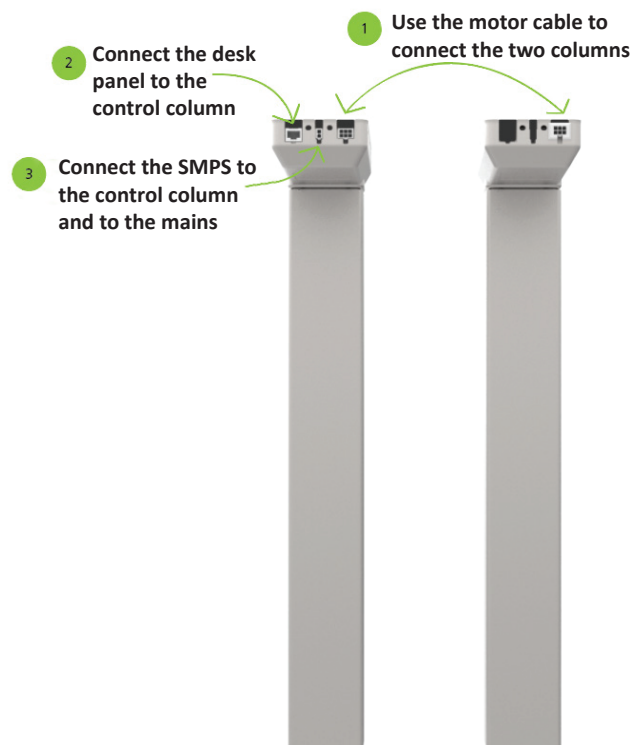


Desk panel (example)



SMPS + cable

1. Connect the control and companion columns using the motor cable.
2. Mount the desk panel onto the desk and connect it to the control column.
3. Connect the SMPS to the control column and to the mains.



It is important to ensure that the motor cables are fixed, but not tightened, near the columns. Fix the cable to the tabletop using a clip observing the **30 mm minimum bending radius (R)**.



### CAUTION

#### Loose cables

Risk of injury to persons or damage to the system.

- Organise cables properly to prevent tripping over and disconnecting them.

## Operation



This document describes the installation of the DESKLIFT™ column system. For more information on the operation of the system, please refer to the relevant desk panel/control User Manual which is available here:

<https://www.linak.com/user-manuals/deskline/>.

## Maintenance

Clean dust and dirt from the outside of the system at appropriate intervals and inspect for damage and breaks.

Inspect connections, cables, and plugs without disconnecting, and check functioning as well as fixing points.



### CAUTION

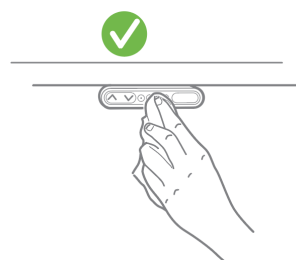
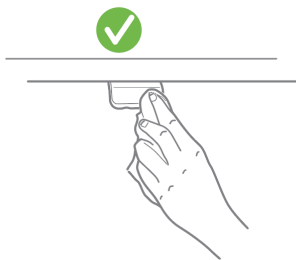
#### Loose screws

Risk of loss of stability

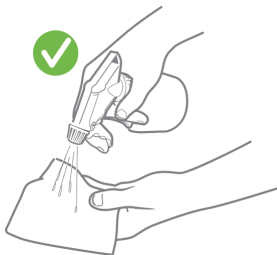
- Check for loose screws on a regular basis. Fasten if necessary.

## Cleaning the desk panel

Clean your desk panel with a soft damp cloth. Universal cleaning detergents may be used.



For disinfection of the desk panel, use a 70 percent isopropyl alcohol either as a wipe or add a small amount to a soft cloth.

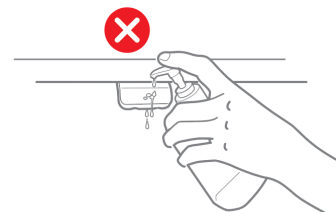
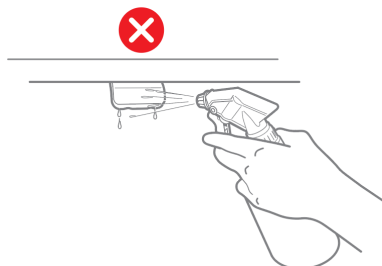


### CAUTION

#### Risk of damaging the desk panel

The desk panel is not a sealed unit and there are electronics inside it.

- Ensure that liquids or moisture does not enter an opening. It may damage the PCB and ruin the desk panel.
- Avoid spraying the cleaning agent or disinfectant directly on the desk panel.



- Cleaning agents and disinfectants must not be highly alkaline or acidic (pH value must be 6 to 8), and they must not contain bleach or chlorine.
- Do not use hand sanitizer gel as a cleaning agent.

## Repair and disposal



### WARNING

#### Opening the product

Risk of injury to persons and of malfunction

- Do not open the product unless you are authorised to do so.

Only an authorised LINAK® service centre should repair the LINAK products. Products to be repaired under warranty must be sent to an authorised LINAK service centre.

In order to avoid the risk of malfunction, all product repairs must only be carried out by an authorised LINAK Service shop or repairers, as special tools and parts must be used.


If a product is opened by unauthorised personnel there is a risk that it may malfunction at a later date.

LINAK systems or components may be disposed of, possibly by dividing them into different waste groups for recycling or combustion.

We recommend that our product is disassembled as much as possible at the disposal and that you try to recycle it. LINAK systems or components should be disposed of in accordance with the environmental regulations applicable in the respective country.

Almost all our cast plastic parts are supplied with an interior code for plastic type and fibre contents, if any.

## Servicing double-insulated products

In a double-insulated product, two systems of insulation are provided instead of grounding. No grounding means is provided on a double-insulated product, nor is means for grounding to be added to the product. Servicing a double-insulated product requires extreme care and knowledge of the system, and is to be done only by qualified service personnel. Replacement parts for a double-insulated product must be identical to the parts they replace. A double-insulated product is marked with the words "Double insulation" or "Double insulated." The symbol  (square within a square) can also be marked on the product.

Updated manuals and declarations can always be found at:

<https://www.linak.com/user-manuals/desklined/>.

## Accessories and spare parts

### Accessories

Order from your nearest LINAK® sales office, distributor or subsidiary.

### Spare parts

Please contact your nearest LINAK sales office for information on spare parts.

# Contacts

## FACTORIES

Denmark - Headquarters  
LINAK A/S  
Phone: +45 73 15 15 15  
Fax: +45 74 45 80 48  
Fax (Sales): +45 73 15 16 13  
Web: www.linak.com

China  
LINAK (Shenzhen) Actuator Systems, Ltd.  
Phone: +86 755 8610 6656  
Phone: +86 755 8610 6990  
Web: www.linak.cn

Slovakia  
LINAK Slovakia s.r.o.  
Phone: +421 51 7563 444  
Web: www.linak.sk

Thailand  
LINAK APAC Ltd.  
Phone: +66 33 265 400  
Web: www.linak.com

USA  
LINAK U.S. Inc.  
Americas Headquarters  
Phone: +1 502 253 5595  
Fax: +1 502 253 5596  
Web: www.linak-us.com  
www.linak-latinamerica.com

## SUBSIDIARIES

Australia  
LINAK Australia Pty. Ltd  
Phone: +61 3 8796 9777  
Fax: +61 3 8796 9778  
E-mail: sales@linak.com.au  
Web: www.linak.com.au

Austria  
LINAK Zweigniederlassung - Österreich (Wien)  
Phone: +43 (1) 890 7446  
Fax: +43 (1) 890 744615  
E-mail: info@linak.de  
Web: www.linak.at - www.linak.hu

Belgium  
LINAK Actuator-Systems NV/SA  
(Belgium & Luxembourg)  
Phone: +32 (0)9 230 01 09  
E-mail: beinfo@linak.be  
Web: www.linak.be - www.fr.linak.be

Brazil  
LINAK Do Brasil Comércio De Atuadores Ltda.  
Phone: +55 (11) 2832 7070  
Fax: +55 (11) 2832 7060  
E-mail: info@linak.com.br  
Web: www.linak.com.br

Canada  
LINAK Canada Inc.  
Phone: +1 502 253 5595  
Fax: +1 416 255 7720  
E-mail: info@linak.ca  
Web: www.linak-us.com

Czech Republic  
LINAK C&S s.r.o.  
Phone: +42 058 174 1814  
Fax: +42 058 170 2452  
E-mail: info@linak.cz  
Web: www.linak.cz - www.linak.sk

Denmark - International  
LINAK International  
Phone: +45 73 15 15 15  
E-mail: info@linak.com  
Web: www.linak.com

Denmark - Sales  
LINAK Danmark A/S  
Phone: +45 86 80 36 11  
Fax: +45 86 82 90 51  
E-mail: linak@linak-silkeborg.dk  
Web: www.linak.dk

Finland  
LINAK OY  
Phone: +358 10 841 8700  
E-mail: linak@linak.fi  
Web: www.linak.fi

France  
LINAK France E.U.R.L  
Phone: +33 (0) 2 41 36 34 34  
Fax: +33 (0) 2 41 36 35 00  
E-mail: linak@linak.fr  
Web: www.linak.fr

Germany  
LINAK GmbH  
Phone: +49 6043 9655 0  
Fax: +49 6043 9655 60  
E-mail: info@linak.de  
Web: www.linak.de

India  
LINAK A/S India Liaison Office  
Phone: +91 120 4531797  
Fax: +91 120 4786428  
E-mail: info@linak.in  
Web: www.linak.in

Italy  
LINAK ITALIA S.r.l.  
Phone: +39 02 48 46 33 66  
Fax: +39 02 48 46 82 52  
E-mail: info@linak.it  
Web: www.linak.it

Japan  
LINAK K.K.  
Phone: 81-45-533-0802  
Fax: 81-45-533-0803  
E-mail: linak@linak.jp  
Web: www.linak.jp

Malaysia  
LINAK Actuators Sdn. Bhd.  
Phone: +60 4 210 6500  
Fax: +60 4 226 8901  
E-mail: info@linak-asia.com  
Web: www.linak.my

Netherlands  
LINAK Actuator-Systems B.V.  
Phone: +31 76 5 42 44 40 /  
+31 76 200 11 10  
E-mail: info@linak.nl  
Web: www.linak.nl

New Zealand  
LINAK New Zealand Ltd  
Phone: +64 9580 2071  
Fax: +64 9580 2072  
E-mail: nzsales@linak.com.au  
Web: www.linak.com.au

Norway  
LINAK Norge AS  
Phone: +47 32 82 90 90  
E-mail: info@linak.no  
Web: www.linak.no

Poland  
LINAK Polska  
LINAK Danmark A/S (Spółka Akcyjna)  
Phone: +48 22 295 09 70 /  
+48 22 295 09 71  
E-mail: info@linak.pl  
Web: www.linak.pl

Republic of Korea  
LINAK Korea Ltd.  
Phone: +82 2 6231 1515  
Fax: +82 2 6231 1516  
E-mail: info@linak.kr  
Web: www.linak.kr

Slovakia  
LINAK Slovakia S.R.O.  
Phone: +421 51 7563 444  
Web: www.linak.sk

Spain  
LINAK Actuadores, S.L.U  
Phone: +34 93 588 27 77  
Fax: +34 93 588 27 85  
E-mail: esma@linak.es  
Web: www.linak.es

Sweden  
LINAK Scandinavia AB  
Phone: +46 8 732 20 00  
Fax: +46 8 732 20 50  
E-mail: info@linak.se  
Web: www.linak.se

Switzerland  
LINAK AG  
Phone: +41 43 388 31 88  
Fax: +41 43 388 31 87  
E-mail: info@linak.ch  
Web: www.linak.ch - www.fr.linak.ch  
www.it.linak.ch

Taiwan  
LINAK (Shenzhen) Actuator systems Ltd.  
Taiwan Representative office  
Phone: +886 2 272 90068  
Fax: +886 2 272 90096  
E-mail: sales@linak.com.tw  
Web: www.linak.com.tw

Turkey  
LINAK İth. İhr. San. ve Tic. A.Ş.  
Phone: +90 312 4726338  
Fax: +90 312 4726635  
E-mail: info@linak.com.tr  
Web: www.linak.com.tr

United Kingdom & Ireland  
LINAK UK Limited  
Phone: +44 (0)121 544 2211  
Fax: +44 (0)121 544 2552  
E-mail: sales@linak.co.uk  
Web: www.linak.co.uk

## DISTRIBUTORS

Argentina  
Novotec Argentina SRL  
Phone: 011-4303-8989 / 8900  
Fax: 011-4032-0184  
E-mail: info@novotecargentina.com  
Web: www.novotecargentina.com

Colombia  
MEM Ltda  
Phone: +[57] (1) 334-7666  
Fax: +[57] (1) 282-1684  
E-mail: servicioalcliente@memltda.com.co  
Web: www.mem.net.co

India  
Mechatronics Control Equipments India Pvt Ltd  
Phone: +91-44-28558484, 85  
E-mail: bala@mechatronicscontrol.com  
Web: www.mechatronicscontrol.com

Indonesia  
PT. Himalaya Everest Jaya  
Phone: +6 221 544 8956 /+6 221 544 8965  
Fax: +6 221 619 1925  
Fax (Sales): +6 221 619 4658  
E-mail: hejplastic-div@centrin.net.id  
Web: www.hej.co.id

Israel  
NetivTech LTD  
Phone: +972 55-2266-535  
Fax: +972 2-9900-560  
Email: info@NetivTech.com  
Web: www.netivtech.com

Singapore  
Servo Dynamics Pte Ltd  
Phone: +65 6844 0288  
Fax: +65 6844 0070  
E-mail: servodynamics@servo.com.sg

South Africa  
Industrial Specialised Applications CC  
Phone: +27 011 466 0346  
E-mail: gartht@isagroup.co.za  
Web: www.isaza.co.za

United Arab Emirates  
Mechatronics  
Phone: +971 4 267 4311  
Fax: +971 4 267 4312  
E-mail: mechtron@emirates.net.ae

## Terms of use

LINAK® takes great care in providing accurate and up-to-date information on its products. However, the user is responsible for determining the suitability of LINAK products for a specific application. Due to continual development, LINAK products are subject to frequent modifications and changes. LINAK reserves the rights to conduct modifications, updates, and changes without any prior notice. For the same reason, LINAK cannot guarantee the correctness and actual status of imprinted information on its products.

LINAK uses its best efforts to fulfil orders. However, for the reasons mentioned above, LINAK cannot guarantee availability of any particular product at any given time. LINAK reserves the right to discontinue the sale of any product displayed on its website or listed in its catalogues or in other written material created and produced by LINAK, LINAK subsidiaries, or LINAK affiliates. All sales are subject to the 'Standard Terms of Sale and Delivery for LINAK A/S' available on LINAK websites. LINAK and the LINAK logotype are registered trademarks of LINAK A/S. All rights reserved.