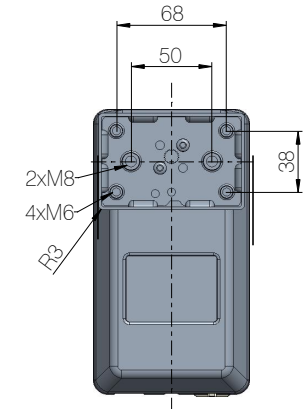


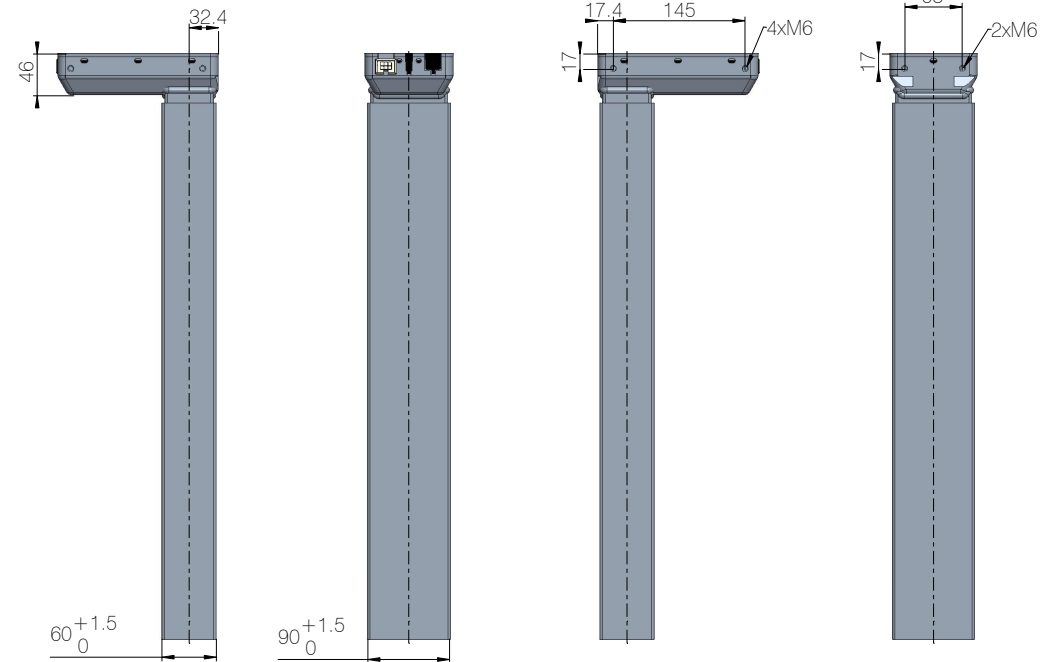
Motor housing



Bottom plate

Version	B (Built-in length) [mm]	S (Stroke length) [mm]	O (Outer profile length) [mm]
Standard	645	500	590

Built-in length, stroke length, and outer profile length



Profile

All rights reserved	Date: 05 March 2026
Description: DL20 Column	LINAK ®  WE IMPROVE YOUR LIFE