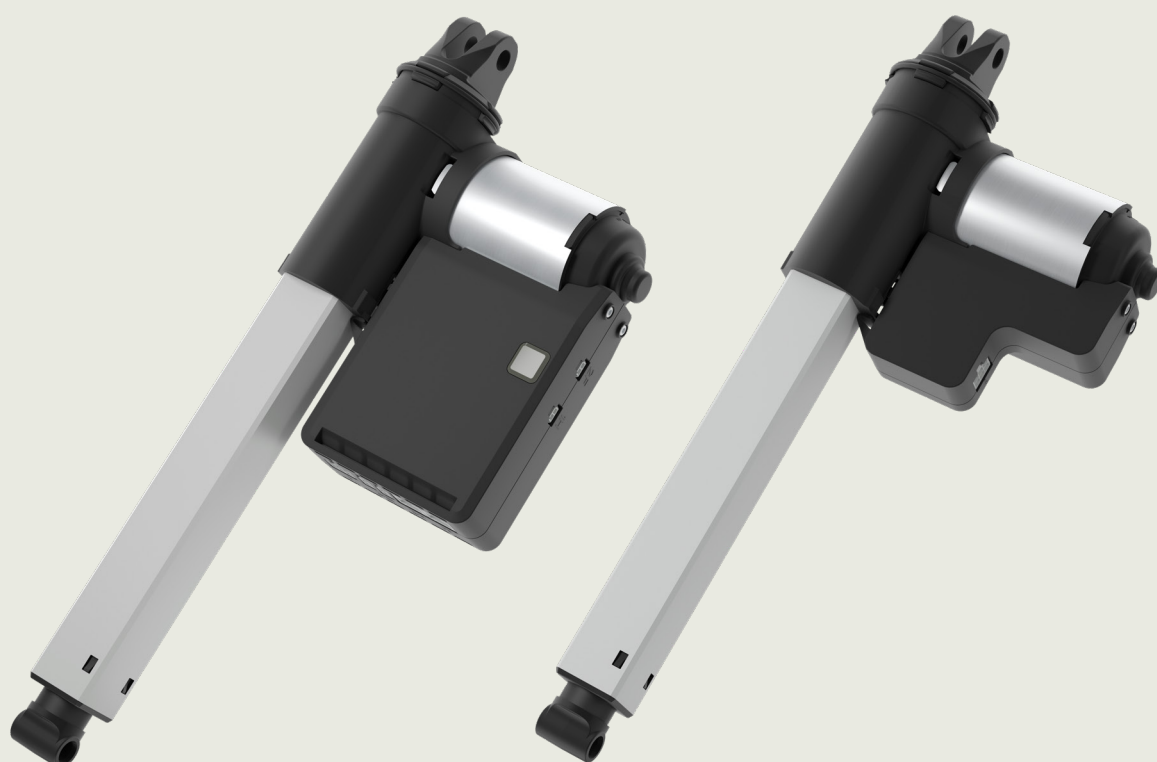


LA18 IC Advanced Data Sheet



LA18 IC Advanced

The LA18 IC Advanced system consists of an LA18 IC Advanced Master and an LA18 IC Advanced Follower and is a system specially developed for comfort beds. The actuators make for a very quiet, powerful, and sleek actuator system. As an option, it has a click-on back fixture making the mounting process simple and fast. The LA18 IC Advanced system supports wireless control via hand controls and the Bed Control App. Furthermore, the system supports connection of accessories like massage motor and extra Under Bed Light.



LA18 IC Advanced Master

LA18 IC Advanced Follower

Features:

- 24-29 V DC supply with DC cable
- The "Master" actuator has an integrated control box
- The "Follower" actuator is connected to the Master with 6-pole minifit plug
- Load up to 6000 N in push
- Compact design with small installation dimensions
- Colour: Black (RAL 9005)
- Low noise level
- Favourite positions
- Built-in Bluetooth® Low Energy technology
- Integrated Under Bed Light (Placed on control box)
- Hall feedback

Options:

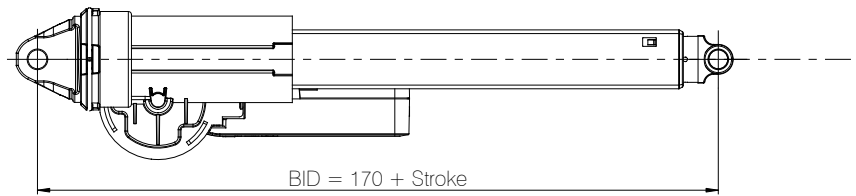
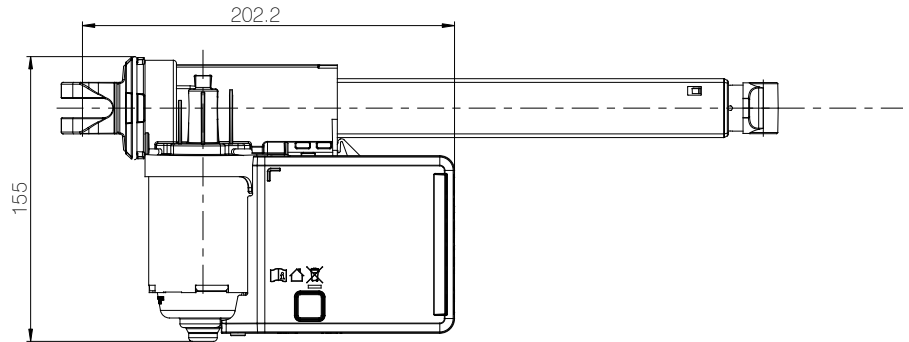
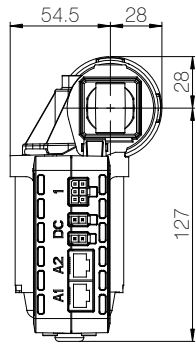
- "Click-on" back fixture (Ø33.8 mm)
- Parallel drive of two LA18 Advanced systems

Usage:

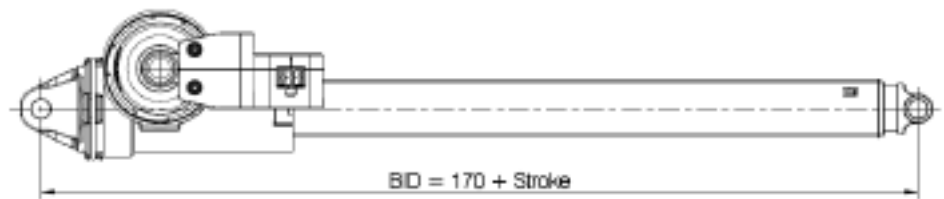
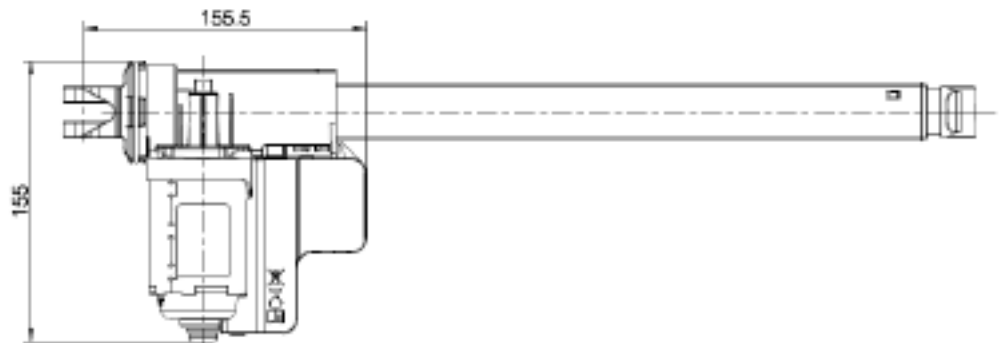
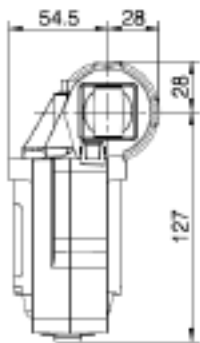
- Duty cycle: 10 % ≈ 2 minutes at continuous use followed by 18 minutes pause
- Ambient temperature: 5 to 40 °C
- Compatible with HOMELINE® wireless hand controls
- Compatible with SMPS001/002/006
- Compatible with LEDLIGHTRAIL001/002 and Massage Motors MD1000D7/MD1000D8
- Complies with UL 962
- Complies with FCC and IC

Dimensions

LA18 IC Advanced Master

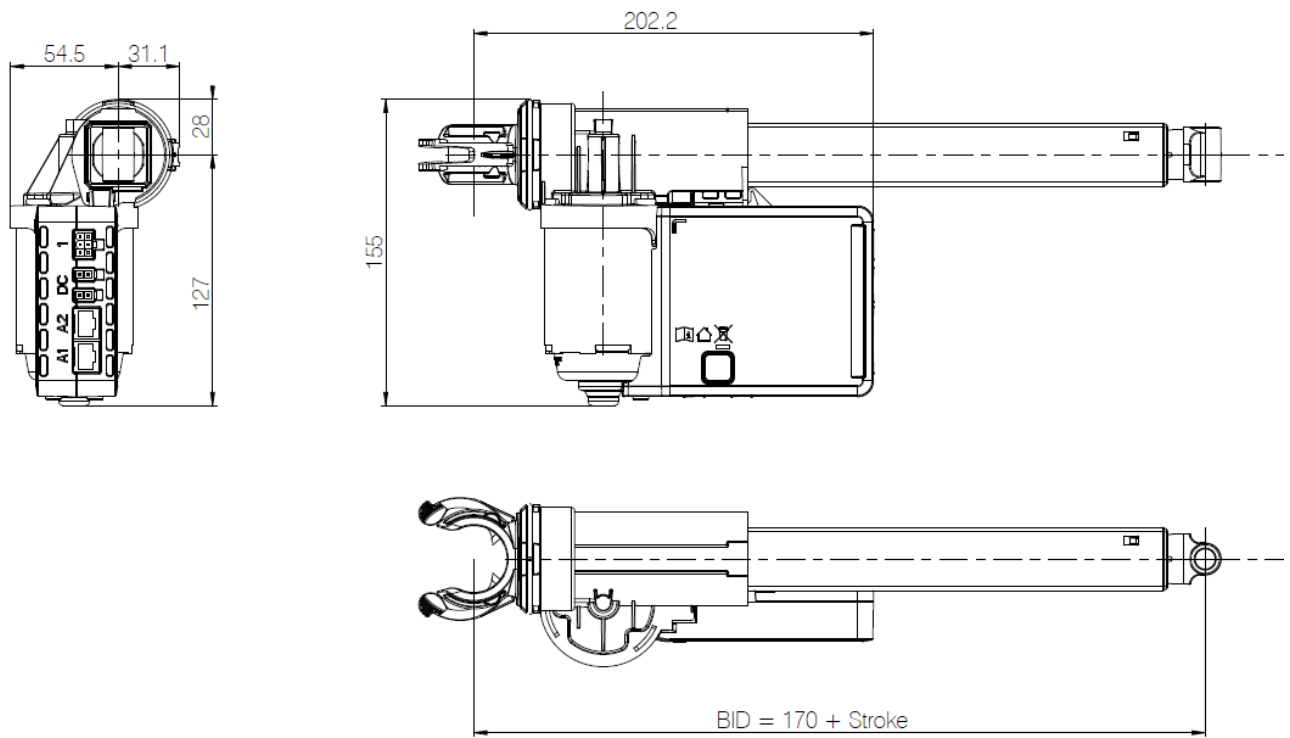


LA18 IC Advanced Follower (B5)

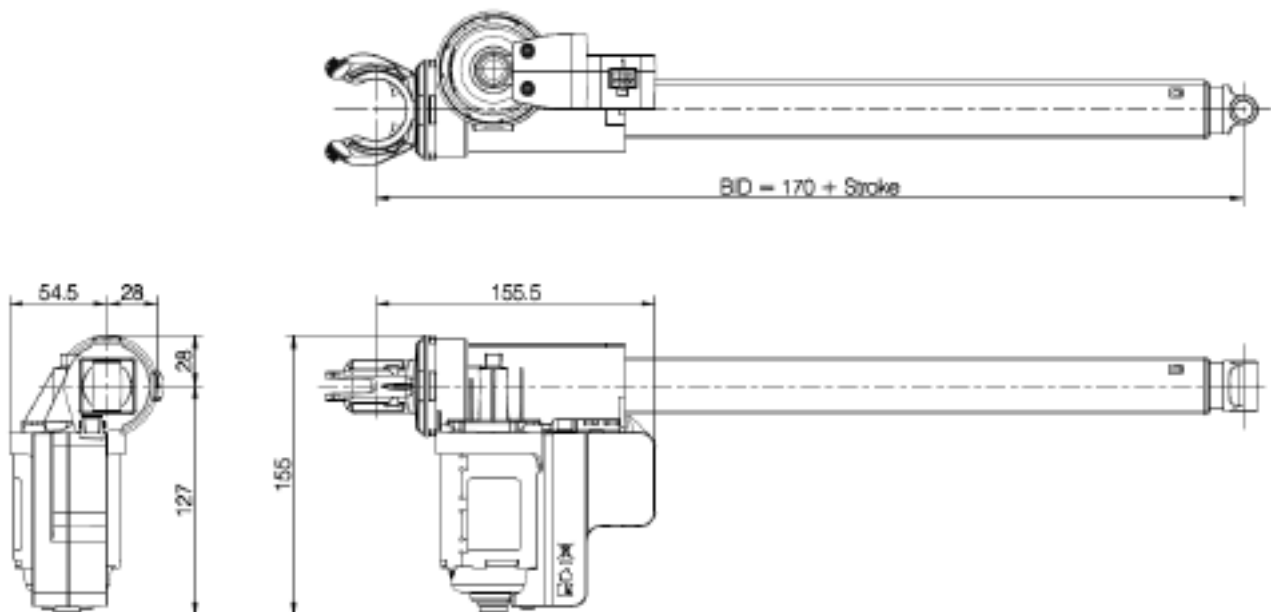


Dimensions

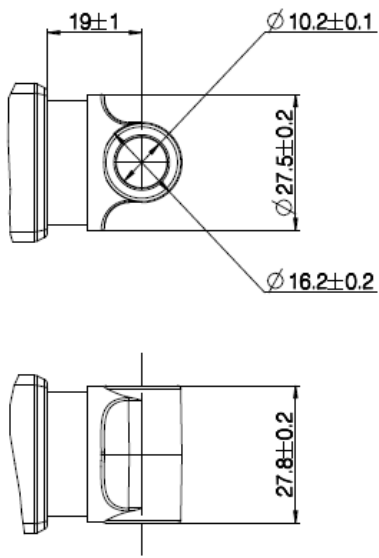
LA18 IC Advanced Master Click-on back fixture



LA18 IC Advanced Follower Click-on back fixture (B5)

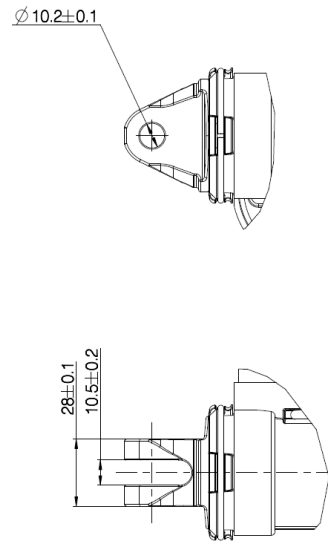


Piston Rod Eye

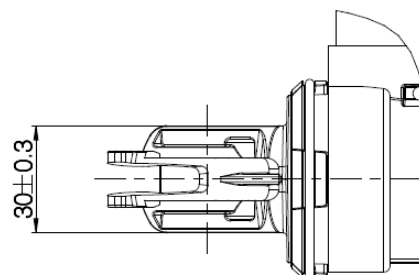
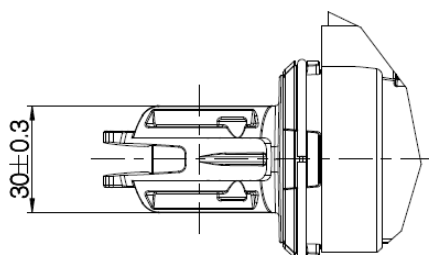
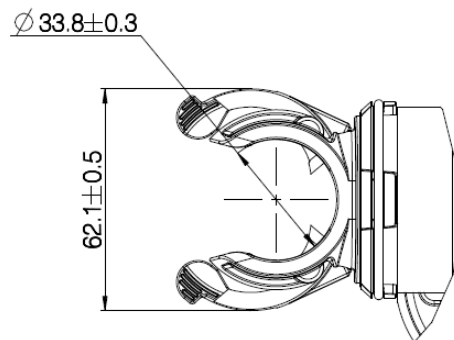
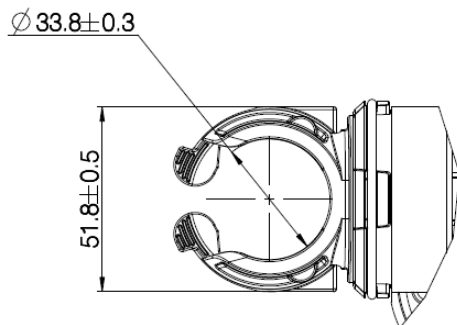


Back fixtures

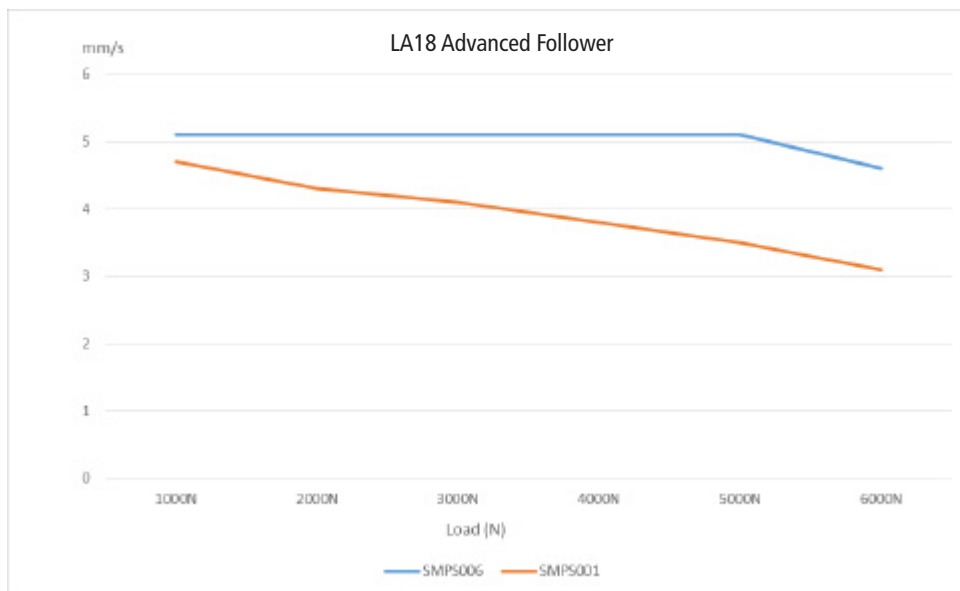
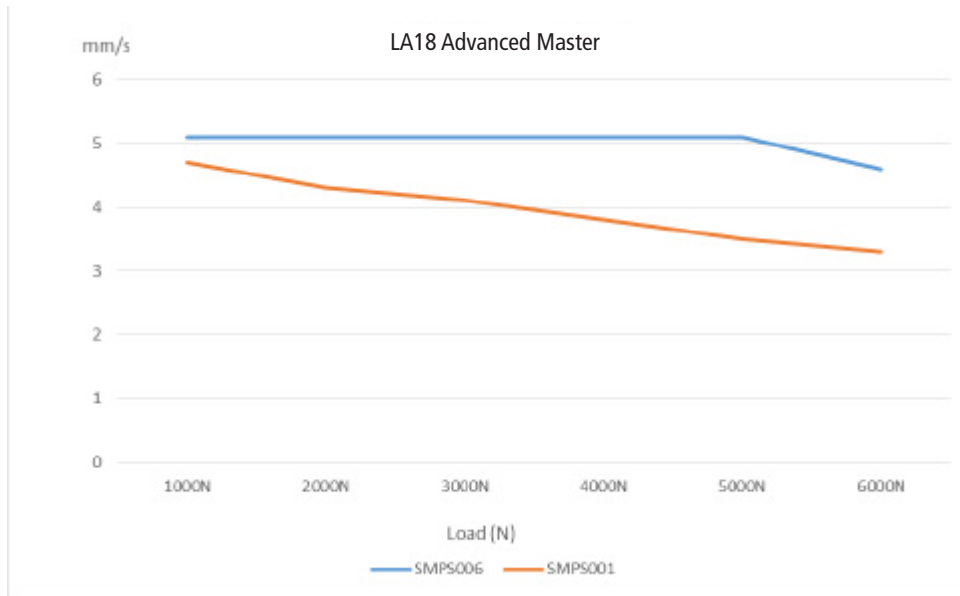
Standard back fixture (1 = standard with slot $\varnothing 10.2$ mm)



Click-on back fixture (6 = Click-on ($\varnothing 33.8$ mm))



Typical speed curve



LINAK® accepts no responsibility for possible errors or inaccuracies in catalogues, brochures, and other material. LINAK reserves the right to change its products without prior notice. LINAK cannot guarantee product availability and reserves the right to discontinue the sale of any product. The user is responsible for determining the suitability of LINAK products for a specific application. All sales are subject to the 'Standard Terms of Sale and Delivery', available on LINAK websites.

LINAK and the LINAK logotype are registered trademarks of LINAK A/S. All rights reserved.