

DPF with display

Data Sheet





DPF with display

DPF with display and built-in anti-collision sensor

The Desk Panel DPF with display is a perfect choice for a wide range of office desks, TV lifts, mobile carts, monitor stands, and workstations with a demand for a panel with height read-out. These desk panels feature a classic design, user-friendly up/down buttons shaped for intuitive operation, and a display showing the height (in cm or inches) and error codes. The display switches off when not in use thereby saving power in standby mode. The DPF is available in black and white. The front cover and the foil can optionally be customised.

The DPF with display is available as

- a compact up/down variant (DPF1D)
- a variant with memory function for storing your favourite positions (DPF1C)
- a variant with memory function and the option to toggle between 4 references (DPF4T)

The DPF1D and the DPF1C are also available in a version with built-in anti-collision sensor which limits material damage to a desk or an object if a collision occurs during driving of the desk. It detects tilting as well as collision with both hard and soft obstacles.

Features/Accessories/Options/Compatibility/Usage

Features

- Display with white LED
- Variants:
 - DPF1D:
 - Up/down drive
 - Up/down drive; built-in anti-collision sensor; integrated 90° mounting bracket
 - DPF1C:
 - Up/down drive; 3 memory positions
 - Up/down drive; 3 memory positions; built-in anti-collision sensor; integrated 90° mounting bracket
 - DPF4T: Up and down drive; control of up to 4 references
- Colour:
 - black (RAL 9005)
 - white (RAL 9016)
- Cable: Black, 1700 mm, straight

Accessories

- 90° or 45° mounting bracket

Options

- Customised foil

Compatibility

- DESKLINE® control boxes
- DL IC systems

Usage

- For indoor use in dry locations

Parameter	Operation	Storage and transportation
Temperature	10 to 40 °C	-10 to +50 °C
Relative humidity	20% to 80% - non-condensing	20% to 80% - non-condensing
Atmospheric pressure	800 to 1060 hPa	700 to 1060 hPa
Altitude	Max. 2000 m	N/A

- Approved in accordance with EN 60335-1 and UL962



Be aware that when the DPF with display is used in DL IC systems, the light intensity must be configured to 50% before use.

All DPF with display and built-in anti-collision sensor are default configured to 50% light intensity.

Ordering

DPF

	DPF	
CHANNELS	1	1 = One reference 4 = 4 references (T variant only)
TYPE	C	C = Up and down with display and memory T = Up and down with display, memory, and toggle function D = Up and down with display
OPTION	0	0 = Standard
VERSION	0	0 = Standard 2 = With built-in anti-collision sensor (option for C and D variants)
OPTION	-	- = Standard
MOUNTING BRACKET	0	0 = Standard
FRONT COVER COLOUR *	1	1 = Black (RAL 9005) 2 = White (RAL 9016) - not available for T variant
DISPLAY COLOUR	2	2 = White display
HOUSING COLOUR *	0	0 = Black (RAL 9005) 2 = White (RAL 9016) - not available for T variant
HEIGHT UNIT	0	0 = cm (default 68 cm) 1 = Inch (default 24.5")
CABLE	6	6 = 1700 mm (+/-70mm) straight cable with modular jack

DPF1C00-012006

* The front cover and the housing are always the same colour.
For sensors with built-in anti-collision sensor, the sensor housing colour is always black

Mounting bracket



The mounting bracket must be ordered separately.
DPF with built-in anti-collisions sensor comes with an integrated 90° mounting bracket.

Mounting brackets (delivered in bags of 100 pieces)

Article number	Description
914759	90° bracket for mounting with no distance to the tabletop
914757	90° bracket for mounting with distance to the tabletop
914760	45° bracket for mounting on a straight tabletop front
914785	45° bracket for mounting on an angled tabletop front

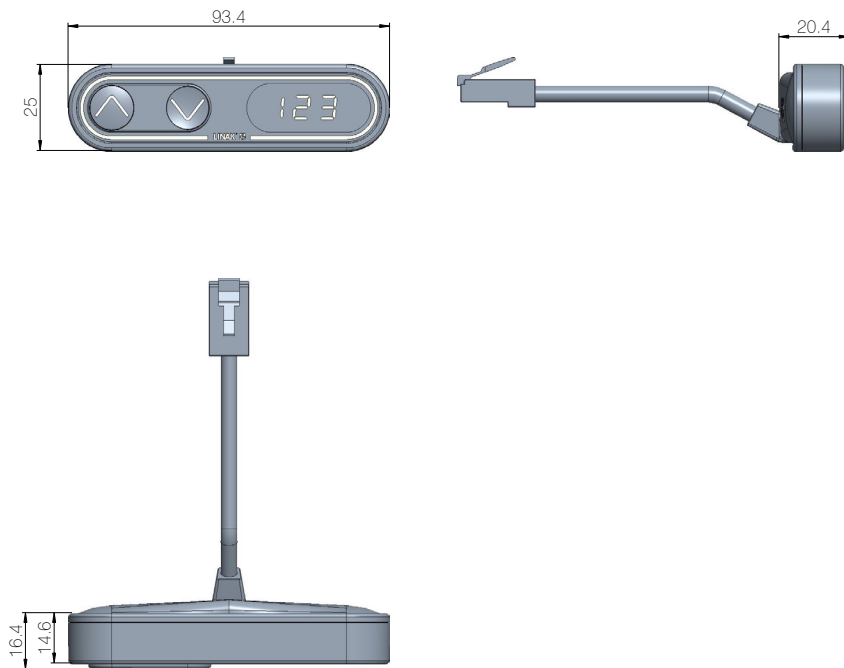
See also [Dimension drawings](#).

Dimension drawings

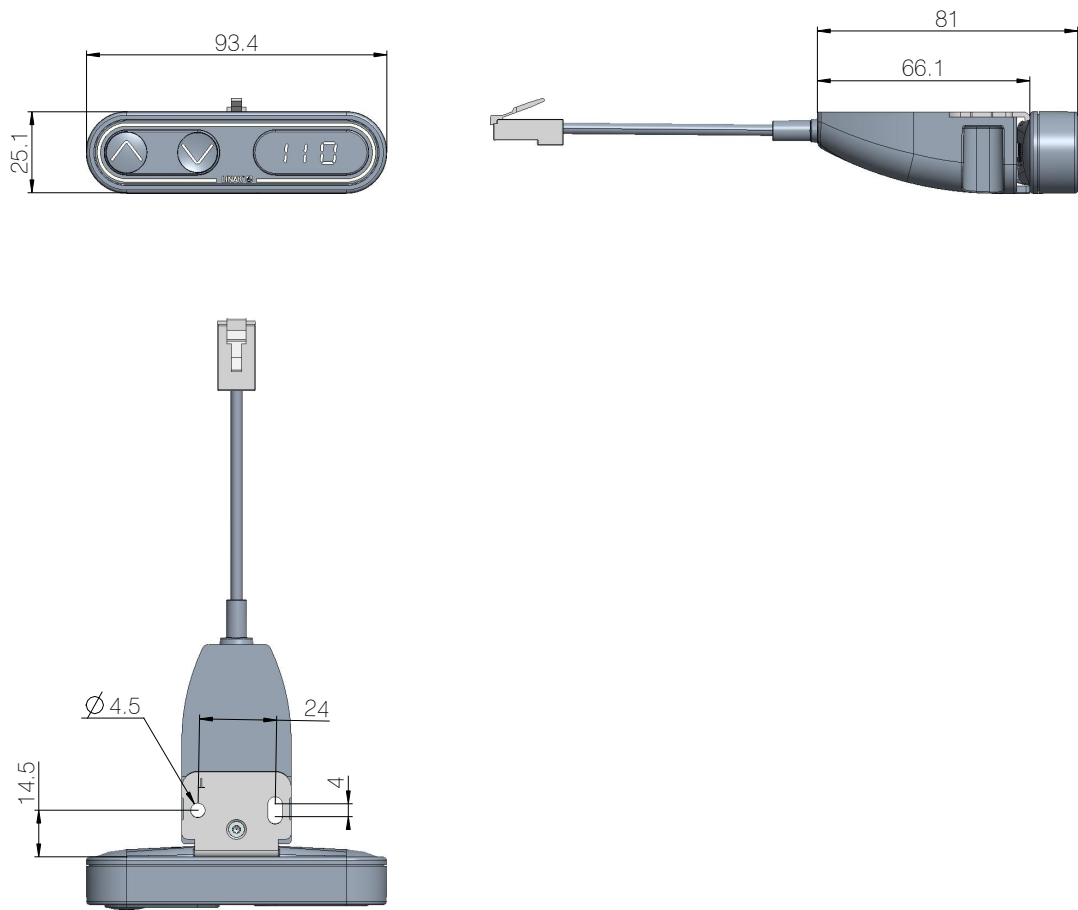


All dimensions are in mm.

DPF1D



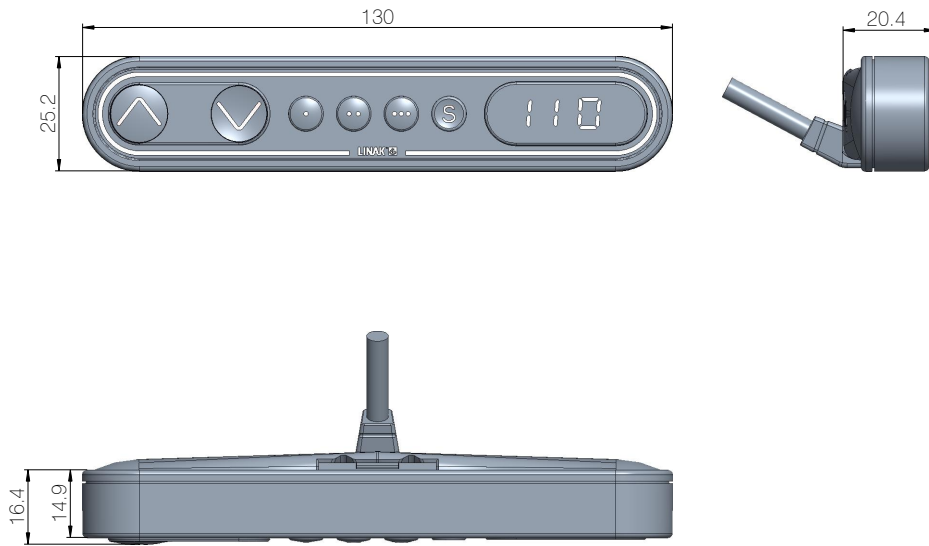
Drawing no. 09144016

DPF1D with built-in anti-collision sensor

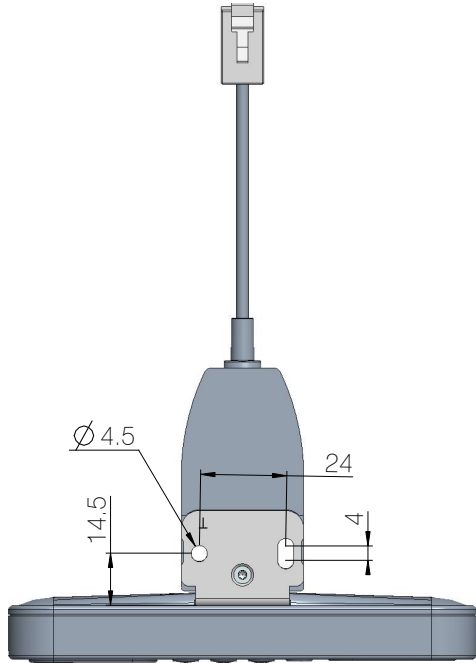
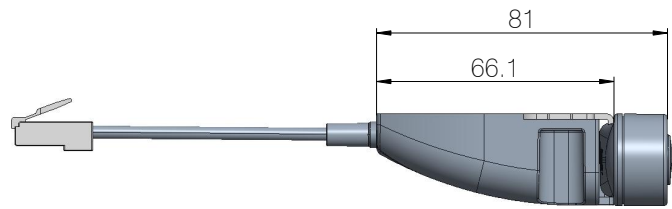
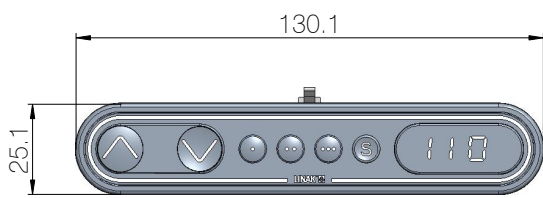
With integrated 90° bracket (914759)

Drawing no. 09144011

DPF1C

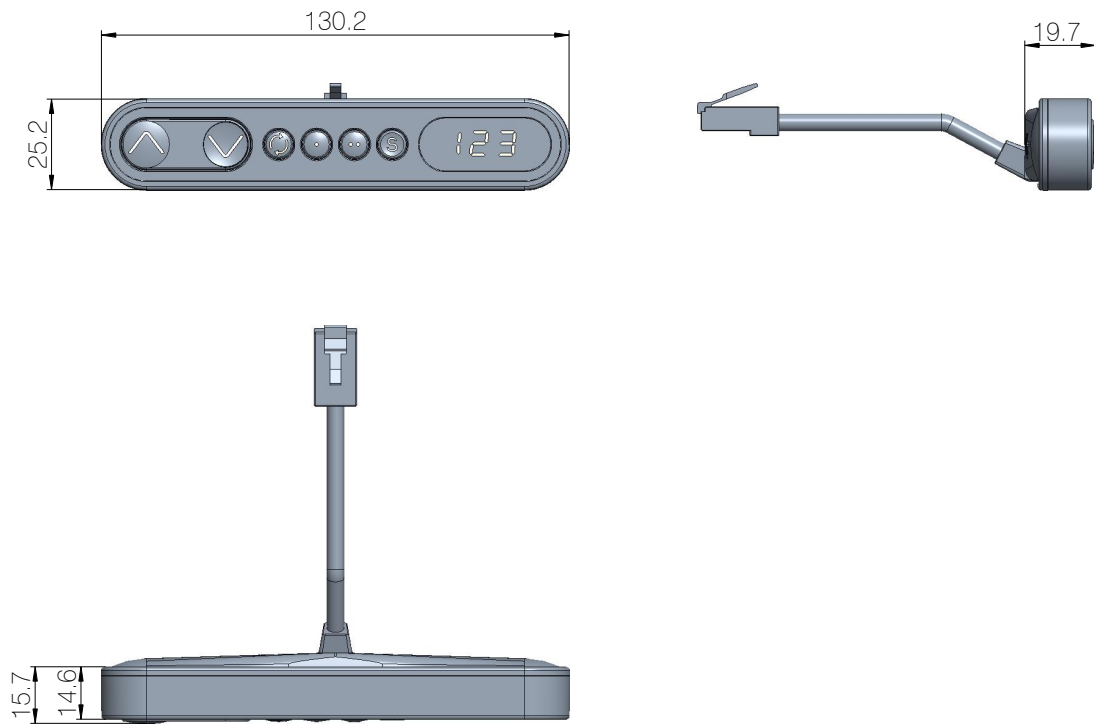


Drawing no. 09144010

DPF1C with built-in anti-collision sensor

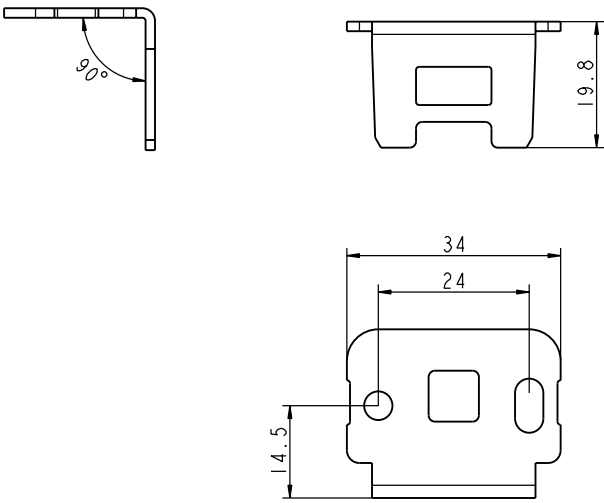
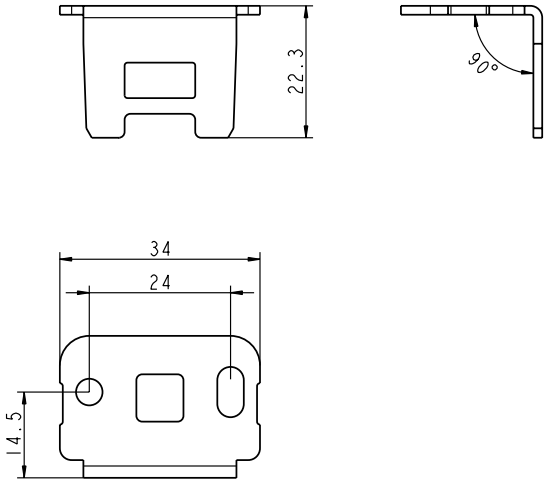
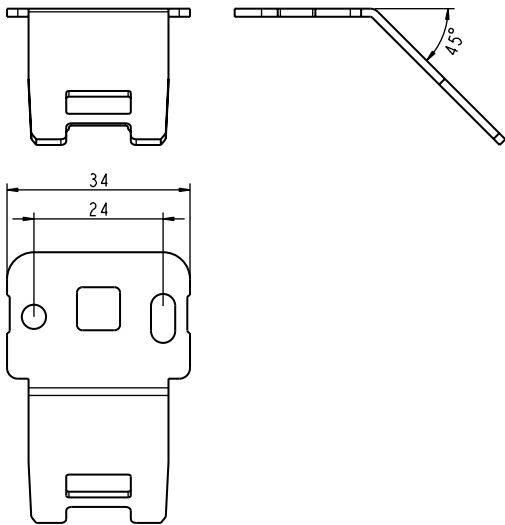
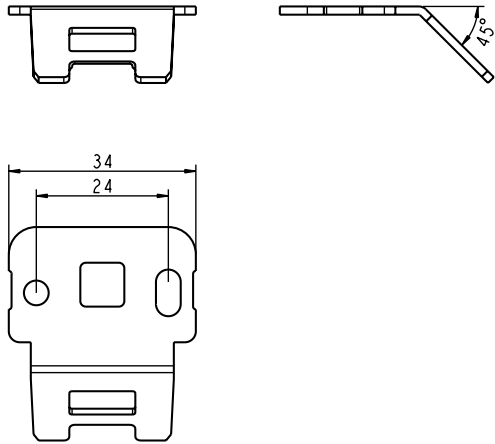
With integrated 90° bracket (914759)

Drawing no. 09144007

DPF4T

Drawing no. 09144015

Mounting brackets

Article number 914759	Article number 914757
 <p style="text-align: center;">Drawing no. 914951</p>	 <p style="text-align: center;">Drawing no. 914951</p>
Article number 914760	Article number 914785
 <p style="text-align: center;">Drawing no. 914952</p>	 <p style="text-align: center;">Drawing no. 914952</p>

Contacts

FACTORIES

Denmark - Headquarters

LINAK A/S

Phone: +45 73 15 15 15

Fax: +45 74 45 80 48

Fax (Sales): +45 73 15 16 13

Web: www.linak.com

China

LINAK (Shenzhen) Actuator Systems, Ltd.

Phone: +86 755 8610 6656

Phone: +86 755 8610 6990

Web: www.linak.cn

Slovakia

LINAK Slovakia s.r.o.

Phone: +421 51 7563 444

Web: www.linak.sk

Thailand

LINAK APAC Ltd.

Phone: +66 33 265 400

Web: www.linak.com

USA

LINAK U.S. Inc.

Americas Headquarters

Phone: +1 502 253 5595

Fax: +1 502 253 5596

Web: www.linak-us.com

www.linak-latinamerica.com

SUBSIDIARIES

Australia

LINAK Australia Pty. Ltd

Phone: +61 3 8796 9777

Fax: +61 3 8796 9778

E-mail: sales@linak.com.au

Web: www.linak.com.au

Austria

LINAK Zweigniederlassung - Österreich (Wien)

Phone: +43 (1) 890 7446

Fax: +43 (1) 890 744615

E-mail: info@linak.de

Web: www.linak.at - www.linak.hu

Belgium

LINAK Actuator-Systems NV/SA

(Belgium & Luxembourg)

Phone: +32 (0)9 230 01 09

E-mail: beinfo@linak.be

Web: www.linak.be - www.fr.linak.be

Brazil

LINAK Do Brasil Comércio De Atuadores Ltda.

Phone: +55 (11) 2832 7070

Fax: +55 (11) 2832 7060

E-mail: info@linak.com.br

Web: www.linak.com.br

Canada

LINAK Canada Inc.

Phone: +1 502 253 5595

Fax: +1 416 255 7720

E-mail: info@linak.ca

Web: www.linak-us.com

Czech Republic

LINAK C&S s.r.o.

Phone: +42 058 174 1814

Fax: +42 058 170 2452

E-mail: info@linak.cz

Web: www.linak.cz - www.linak.sk

Denmark - International

LINAK International

Phone: +45 73 15 15 15

E-mail: info@linak.com

Web: www.linak.com

Denmark - Sales

LINAK Danmark A/S

Phone: +45 86 80 36 11

Fax: +45 86 82 90 51

E-mail: linak@linak-silkeborg.dk

Web: www.linak.dk

Finland

LINAK OY

Phone: +358 10 841 8700

E-mail: linak@linak.fi

Web: www.linak.fi

France

LINAK France E.U.R.L

Phone: +33 (0) 2 41 36 34 34

Fax: +33 (0) 2 41 36 35 00

E-mail: linak@linak.fr

Web: www.linak.fr

Germany

LINAK GmbH

Phone: +49 6043 9655 0

Fax: +49 6043 9655 60

E-mail: info@linak.de

Web: www.linak.de

India

LINAK A/S India Liaison Office

Phone: +91 120 4531797

Fax: +91 120 4786428

E-mail: info@linak.in

Web: www.linak.in

Italy

LINAK ITALIA S.r.l.

Phone: +39 02 48 46 33 66

Fax: +39 02 48 46 82 52

E-mail: info@linak.it

Web: www.linak.it

Japan

LINAK K.K.

Phone: 81-45-533-0802

Fax: 81-45-533-0803

E-mail: linak@linak.jp

Web: www.linak.jp

Malaysia

LINAK Actuators Sdn. Bhd.

Phone: +60 4 210 6500

Fax: +60 4 226 8901

E-mail: info@linak-asia.com

Web: www.linak.my

Netherlands

LINAK Actuator-Systems B.V.

Phone: +31 76 5 42 44 40 /

+31 76 200 11 10

E-mail: info@linak.nl

Web: www.linak.nl

New Zealand

LINAK New Zealand Ltd

Phone: +64 9580 2071

Fax: +64 9580 2072

E-mail: nzsales@linak.com.au

Web: www.linak.com.au

Norway

LINAK Norge AS

Phone: +47 32 82 90 90

E-mail: info@linak.no

Web: www.linak.no

Poland

LINAK Polska

LINAK Danmark A/S (Spółka Akcyjna)

Phone: +48 22 295 09 70 /

+48 22 295 09 71

E-mail: info@linak.pl

Web: www.linak.pl

Republic of Korea

LINAK Korea Ltd.

Phone: +82 2 6231 1515

Fax: +82 2 6231 1516

E-mail: info@linak.kr

Web: www.linak.kr

Slovakia

LINAK Slovakia S.R.O.

Phone: +421 51 7563 444

Web: www.linak.sk

Spain

LINAK Actuadores, S.L.U

Phone: +34 93 588 27 77

Fax: +34 93 588 27 85

E-mail: esma@linak.es

Web: www.linak.es

Sweden

LINAK Scandinavia AB

Phone: +46 8 732 20 00

Fax: +46 8 732 20 50

E-mail: info@linak.se

Web: www.linak.se

Switzerland

LINAK AG

Phone: +41 43 388 31 88

Fax: +41 43 388 31 87

E-mail: info@linak.ch

Web: www.linak.ch - www.fr.linak.ch

www.it.linak.ch

Taiwan

LINAK (Shenzhen) Actuator systems Ltd.

Taiwan Representative office

Phone: +886 2 272 90068

Fax: +886 2 272 90096

E-mail: sales@linak.com.tw

Web: www.linak.com.tw

Turkey

LINAK İth. İhr. San. ve Tic. A.Ş.

Phone: +90 312 4726338

Fax: +90 312 4726635

E-mail: info@linak.com.tr

Web: www.linak.com.tr

United Kingdom & Ireland

LINAK UK Limited

Phone: +44 (0)121 544 2211

Fax: +44 (0)121 544 2552

E-mail: sales@linak.co.uk

Web: www.linak.co.uk

DISTRIBUTORS

Argentina

Novotec Argentina SRL

Phone: 011-4303-8989 / 8900

Fax: 011-4032-0184

E-mail: info@novotecargentina.com

Web: www.novotecargentina.com

Colombia

MEM Ltda

Phone: +[57] (1) 334-7666

Fax: +[57] (1) 282-1684

E-mail: servicioalcliente@memltda.com.co

Web: www.mem.net.co

India

Mechatronics Control Equipments India Pvt Ltd

Phone: +91-44-28558484, 85

E-mail: bala@mechatronicscontrol.com

Web: www.mechatronicscontrol.com

Indonesia

PT. Himalaya Everest Jaya

Phone: +6 221 544 8956 /+6 221 544 8965

Fax: +6 221 619 1925

Fax (Sales): +6 221 619 4658

E-mail: hejplastic-div@centrin.net.id

Web: www.hej.co.id

Israel

NetivTech LTD

Phone: +972 55-2266-535

Fax: +972 2-9900-560

Email: info@NetivTech.com

Web: www.netivtech.com

Singapore

Servo Dynamics Pte Ltd

Phone: +65 6844 0288

Fax: +65 6844 0070

E-mail: servodynamics@servo.com.sg

South Africa

Industrial Specialised Applications CC

Phone: +27 011 466 0346

E-mail: gartht@isagroup.co.za

Web: www.isaza.co.za

United Arab Emirates

Mechatronics

Phone: +971 4 267 4311

Fax: +971 4 267 4312

E-mail: mecatron@emirates.net.ae

Terms of use

LINAK® takes great care in providing accurate and up-to-date information on its products. However, the user is responsible for determining the suitability of LINAK products for a specific application. Due to continual development, LINAK products are subject to frequent modifications and changes. LINAK reserves the rights to conduct modifications, updates, and changes without any prior notice. For the same reason, LINAK cannot guarantee the correctness and actual status of imprinted information on its products.

LINAK uses its best efforts to fulfil orders. However, for the reasons mentioned above, LINAK cannot guarantee availability of any particular product at any given time. LINAK reserves the right to discontinue the sale of any product displayed on its website or listed in its catalogues or in other written material created and produced by LINAK, LINAK subsidiaries, or LINAK affiliates. All sales are subject to the 'Standard Terms of Sale and Delivery for LINAK A/S' available on LINAK websites. LINAK and the LINAK logotype are registered trademarks of LINAK A/S. All rights reserved.