



DESKLIFT™ DL10 IC

Data sheet

DESKLIFT™ DL10 IC

The DESKLIFT™ DL10 IC (Integrated Controller) is a compact two-part lifting column with round profiles based on our DL10 column. The DL10 IC is a perfect choice for adjustable economy office desks using only two columns and requiring a stroke length of maximum 500 mm. The DL10 IC lifting column has the same outer profile dimension and mounting holes as the three-part DL11 IC column. Thus, they can be used in the same tabletop and table foot construction.

The DL10 IC column is available in three standard colours (black, grey and white) - and can optionally be delivered in other colours.

An IC system consists of two columns, a master column and a follower column connected via a motor cable. The master column has a built-in control PCB; thus, no separate control box must be mounted in an IC system. The mains supply is an external SMPS (Switch Mode Power Supply) unit, and a variety of desk panels can be used for adjusting the desk. A Desk Sensor™ 1 anti-collision dongle can be added to the system to limit material damage to a desk or an object in case a collision occurs during driving of the desk.



Features:

- Max. load: 500 N per column
- Max. speed: 38 mm/s unloaded
- Standard installation dimension: 645 mm
- Standard stroke length: 500 mm
- Weight: Approximately 6.5 kg per column
- Dimensions column: $\varnothing 70$ mm (outer profile) and $\varnothing 63.5$ mm (inner profile)
- Dimension motor housing: 177 x 97 x 46 mm
- Colour: Available in black (RAL 9005), grey (RAL 9006) or white (RAL 9016)
- Low noise level

Option:

- PLUS™:
 - No visible gliding pads
 - Available with trim rings in black, grey or white
- Available as DESKLIFT™ SetPack

Usage:

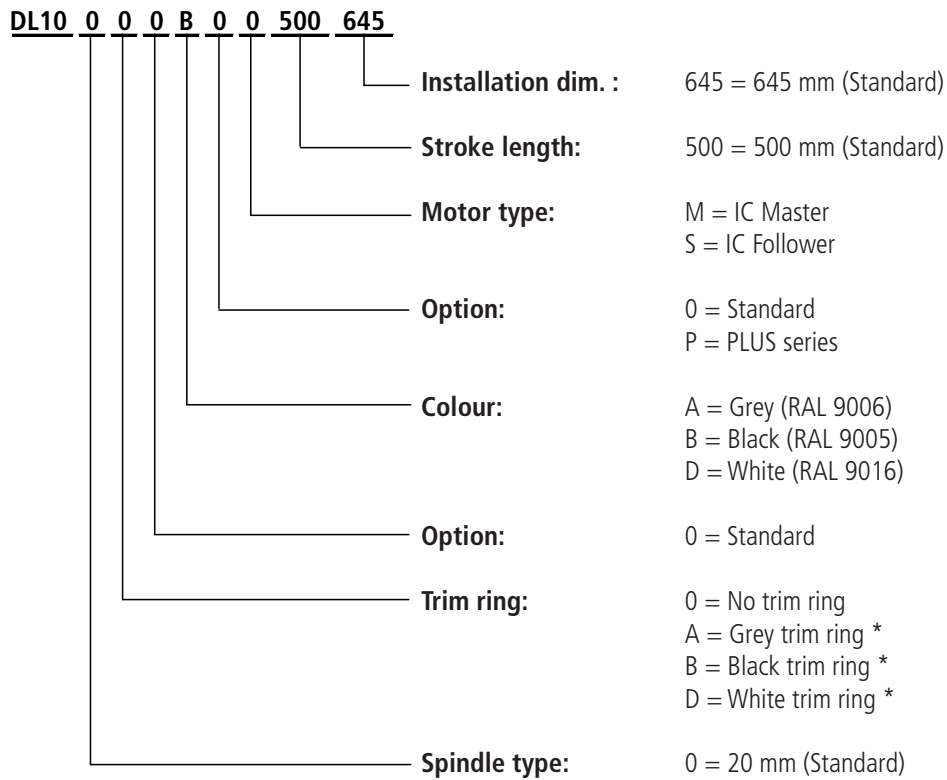
- 2 parallel drive with one DL10 IC Master and one DL10 IC Follower, and an external power supply (SMPS001 (230 V), SMPS002 (120 V) or SMPS006 (Universal))
- Duty cycle: 10 % \approx 2 minutes continuous use at full load, followed by 18 minutes pause
- For indoor use in dry locations
- Ambient temperature: 10 to 40 °C
- Storage and transportation temperature: -10 to +70 °C
- Compatible with DESKLINE® controls
- Compatible with the Kick & Click™ mounting solution
- Compatible with DESKLIFT™ Feet
- System compliance, see the Declaration of Conformity in the User Manual



Be aware that, when a desk panel with display is used, the light intensity must be configured to 50 % before use.

With a fully retracted length of 645 mm and a stroke length of 500 mm, it is possible for a standard system to obtain an adjustment range of the tabletop from e.g. 680 to 1180 mm. Thus, the desk can be used for sitting as well as for standing types of work.

Ordering example :

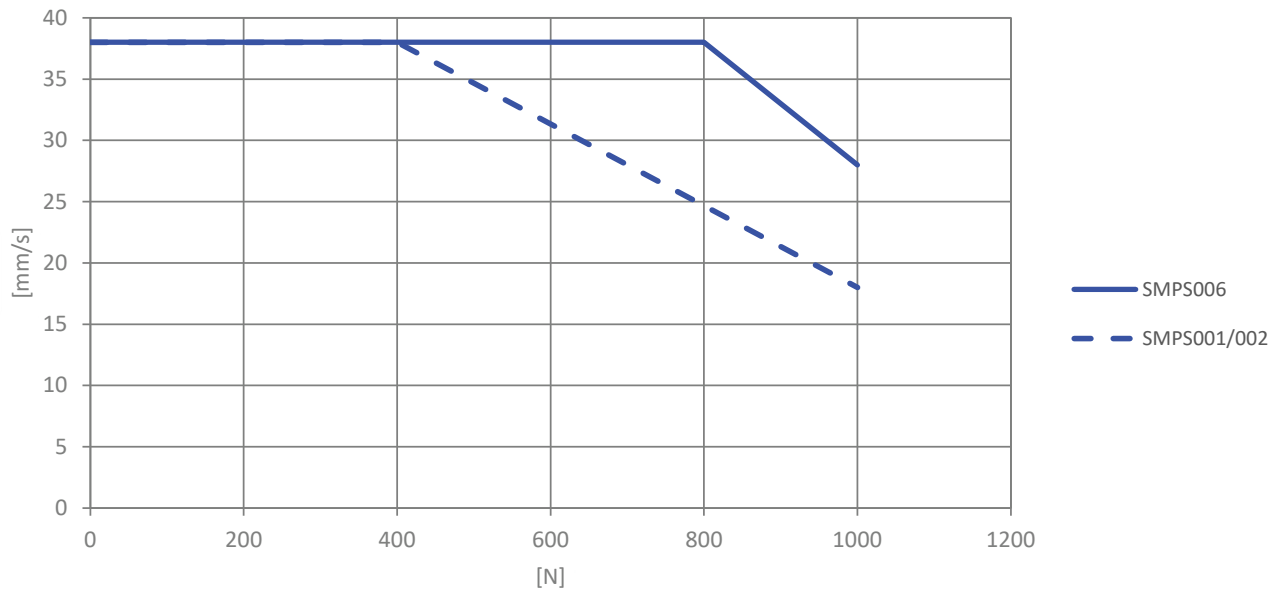


*: Only available with PLUS™ design



All cables for creating a fully connected DESKLINE® system must be ordered separately. We offer a range of different versions and lengths. To get information as ordering number, colour and length of the cables, please contact your local LINAK.

Performance curves
DL10 IC with SMPS001/002/006



Two DL10 IC (equally loaded) with SMPS001/002/006

The data above is measured in connection with two DL10 IC lifting columns and SMPS001/002/006.
The desk is driving upwards.



The curves above apply to a centrally placed load. With moment load, there will be increased friction in the columns, which will reduce the lifting force correspondingly.



The end-stop system in the DL10 IC is based on a buffer system, meaning that you must be aware of the lengths when initialising.

The products must be able to drive:

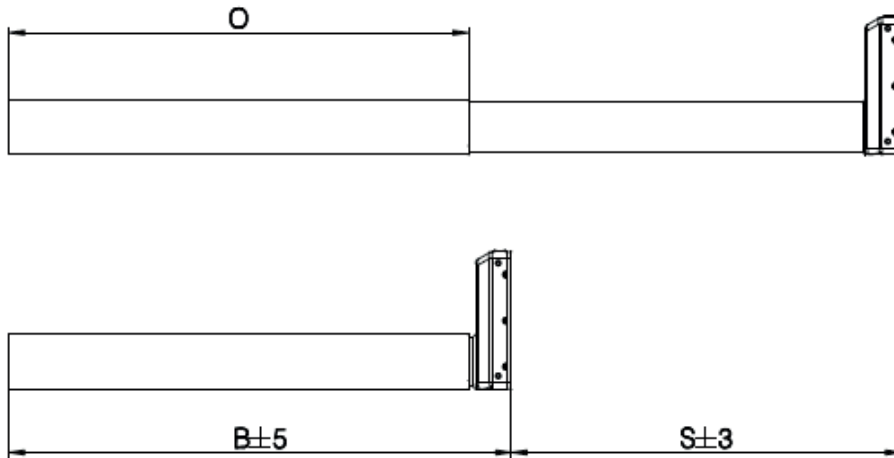
Inward direction: Installation dimension - tolerances - 5 mm

Outward direction: Installation dimension + stroke length + tolerances + 5 mm

Dimensional drawings

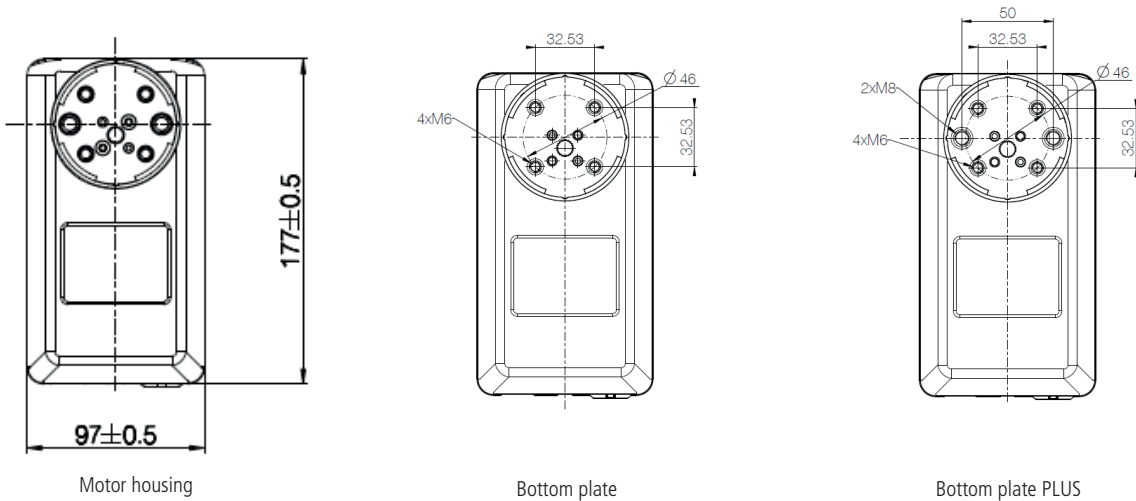


All measurements are without powder coating.



Version	Combination code	S (Stroke length) [mm]	B (Built-in length) [mm]	O (Outer profile length) [mm]
DL10	DL10xxxxx500645	500	645	590

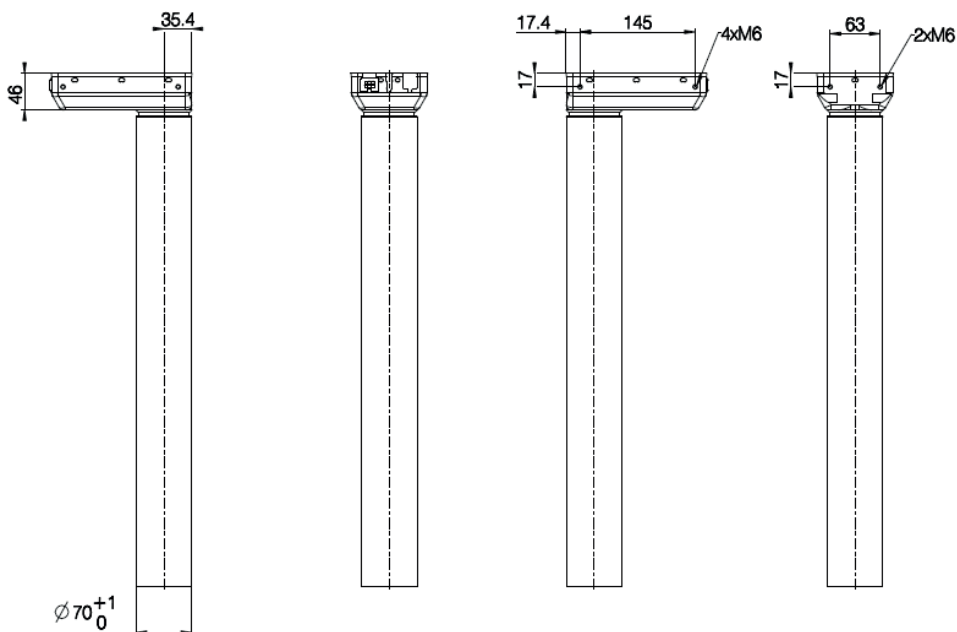
DL10 built-in length, stroke length, and outer profile length (mm)



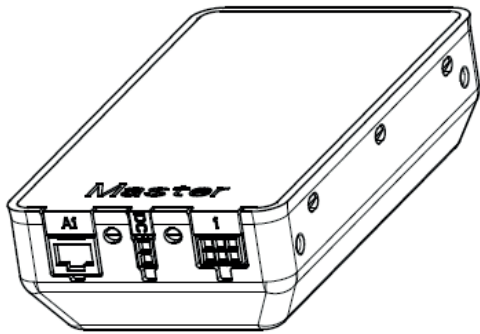
Motor housing

Bottom plate

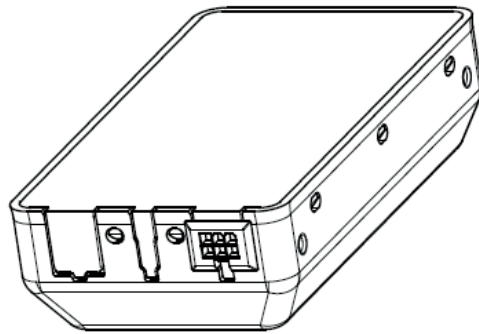
Bottom plate PLUS



DL10 dimensions (mm)



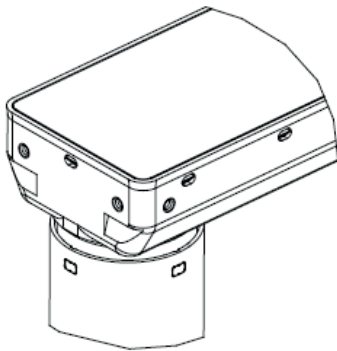
IC Master



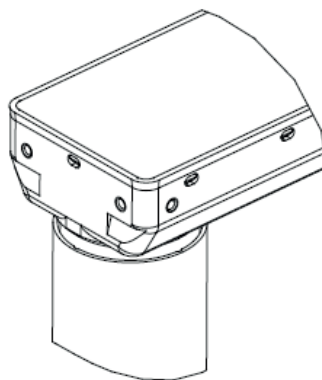
IC Follower

Combination code	Type
DL10xxxxxMxxxxxx	IC Master
DL10xxxxxSxxxxxx	IC Follower

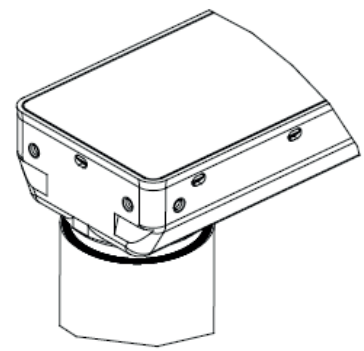
Socket combination



Standard



PLUS™ without trim ring



PLUS™ with trim ring

Profile designs

LINAK® accepts no responsibility for possible errors or inaccuracies in catalogues, brochures, and other material. LINAK reserves the right to change its products without prior notice. LINAK cannot guarantee product availability and reserves the right to discontinue the sale of any product. The user is responsible for determining the suitability of LINAK products for a specific application. All sales are subject to the 'Standard Terms of Sale and Delivery', available on LINAK websites.

LINAK and the LINAK logotype are registered trademarks of LINAK A/S. All rights reserved.