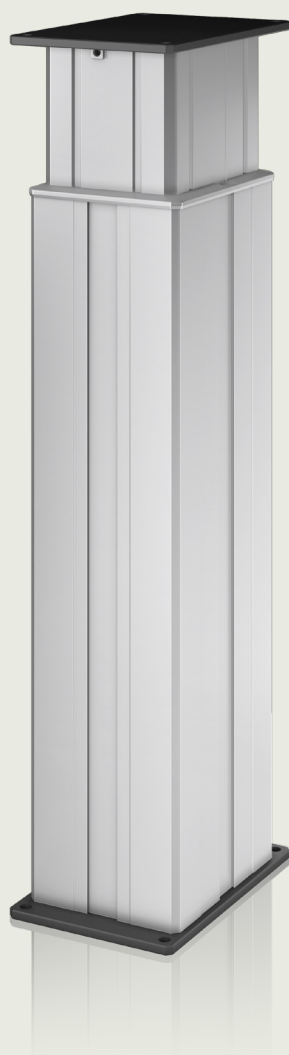


# DESKLIFT™ DL2

## Data Sheet





The DL2 column is designed for a wide range of workstation applications and is the ideal choice for height adjustment of consoles, computer workstations, or industrial work benches.

The DL2 column is designed for a wide range of workstation applications and is the ideal choice for tasks such as height adjustment of computer workstations, industrial work benches, or kitchens.

## Features/Options/Usage

### Features

- Two-part column
- In combination with CBD6S:

Parameter	With CBD6S
Max. speed (unloaded)	20 mm/s
Max. load (per column)	2500 N
Max. self-lock (per column)	2500 N

- Installation dimension: Various
- Stroke length (all  $\pm 4$  mm): 300 mm  
350 mm  
500 mm
- Weight: Approximately 11.5 kg to 14.5 kg depending on installation dimension and stroke length
- Dimensions:
  - Column: 147 x 194 mm
  - 8 mm end plates: 160 x 244 x 8 mm
  - 3 mm end plates: flush with the profiles
- Compact and mounting-friendly design
- Dynamic bending moment (at 100 % stroke length):  $M_{y+}/M_{x+} = 250$  Nm and  $M_{y-}/M_{x-} = 200$  Nm
- Colour:
  - Profiles: Natural anodised aluminium
  - End plates:

8 mm	3 mm
Black (RAL 9005)	Grey (RAL 9006)

- Built-in limit switches (not adjustable)
- Each column is fitted with a 100 mm mini-fit cable
- Low noise level

### Options

- Mounting bracket (order number 0578006)
- CBD6S mounted inside the DL2

### Usage

- Single drive or parallel drive
- Duty cycle: max. 5 %  $\approx$  max. 1 minute continuous use followed by 19 minutes pause
- For indoor use in dry locations

Parameter	Operation	Storage and transportation
Temperature	10 to 40 °C	-10 to +50 °C
Relative humidity	20% to 80% - non-condensing	20% to 80% - non-condensing
Atmospheric pressure	700 to 1060 hPa	700 to 1060 hPa
Altitude	Max. 2000 m	Max. 2000 m

- System compliance, see the Declaration of Conformity in the [User Manual](#)
- Compatible with DESKLINE® control boxes (must be configured)
- Compatible with all DESKLINE® controls

## Ordering

	DL2	
ACTUATOR	3	3 = 9 mm pitch 6 = 12 mm pitch 7 = 6 mm pitch (only 8 mm end plates and max. 300 mm stroke)
END PLATES	0	0 = 8 mm end plates, black 1 = 3 mm end plates, grey ** 2 = 3 mm top plate and 8 mm bottom plate *** 3 = 8 mm top plate and 3 mm bottom plate ***
POSITIONING	C	C = Hall sensor
COLOUR	A	A = Natural anodized aluminium profile (grey top frame) B = Natural anodized aluminium profile (black top frame)
CONTROL BOX	0	0 = Without built-in control box F = Built-in CBD6S, 230 V (P 0 0 0 2 0 A - 0 0 9 *) G = Built-in CBD6S, 120 V (P 0 0 0 2 0 A - 1 0 9 *)
CABLE TYPE	0	0 = Without built-in control box  All cables without earth (2P) Class 2 1 = Straight EU cable, Grey, 3.2 m 2 = Straight EU cable, Black, 3.2 m 3 = Straight UK cable, Black, 3.2 m 4 = Straight UL cable, Black, 3.2 m 5 = Straight AUS cable, Black, 3.2 m 6 = Straight Japan cable, Black, 3.2 m 7 = Straight CH cable, Black, 3.2 m
STROKE LENGTH	500	300 = 300 mm (for columns with installation dimension 445 to 455 mm) 350 = 350 mm (for columns with installation dimension 495 to 505 mm) 500 = 500 mm (for columns with installation dimension 645 to 665 mm)
INSTALLATION DIMENSION	655	455 = S(300) + 155 mm incl. 2 pcs. 8 mm end plates 450 = S(300) + 150 mm incl. 1 pc. 8 mm + 1 pc. 3 mm end plates 445 = S(300) + 145 mm incl. 2 pcs. 3 mm end plates  505 = S(350) + 155 mm incl. 2 pcs. 8 mm end plates 500 = S(350) + 150 mm incl. 1 pc. 8 mm + 1 pc. 3 mm end plates 495 = S(350) + 145 mm incl. 2 pcs. 3 mm end plates  655 = S(500) + 155 mm incl. 2 pcs. 8 mm end plates 650 = S(500) + 150 mm incl. 1 pc. 8 mm + 1 pc. 3 mm end plates 645 = S(500) + 145 mm incl. 2 pcs. 3 mm end plates
		<b>Selected item type: DL230CA00500655</b>

\*: The mains cable:  
 The DL2 with a built-in CBD6S is delivered with a fixed mains cable  
 (Coiled cable and cable with earth connection are no options)  
 The cable length will be reduced by 300 mm ±100 mm compared to the standard length

\*\* : For mounting of the desk frame the following screws are delivered: 8 x DG 80x35

\*\*\*: For mounting of the desk frame the following screws are delivered: 4 x DG 80x35



DL2 6 mm pitch is only available with 8 mm end plates and max. 300 mm stroke length.

## Dynamic bending moment - guidelines

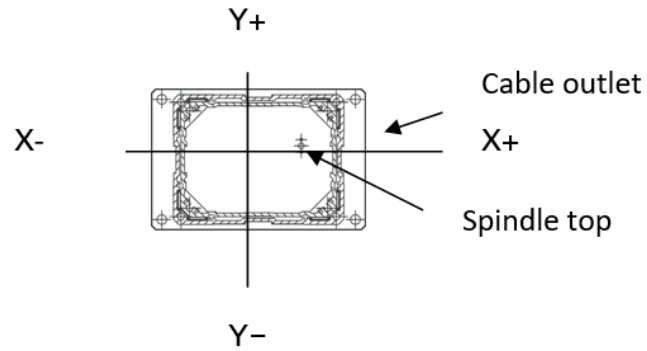


Figure 1 Dynamic bending moment

The drawing above is a top view for identification of the directions of the bending moment.

## Performance curve (CBD6S)

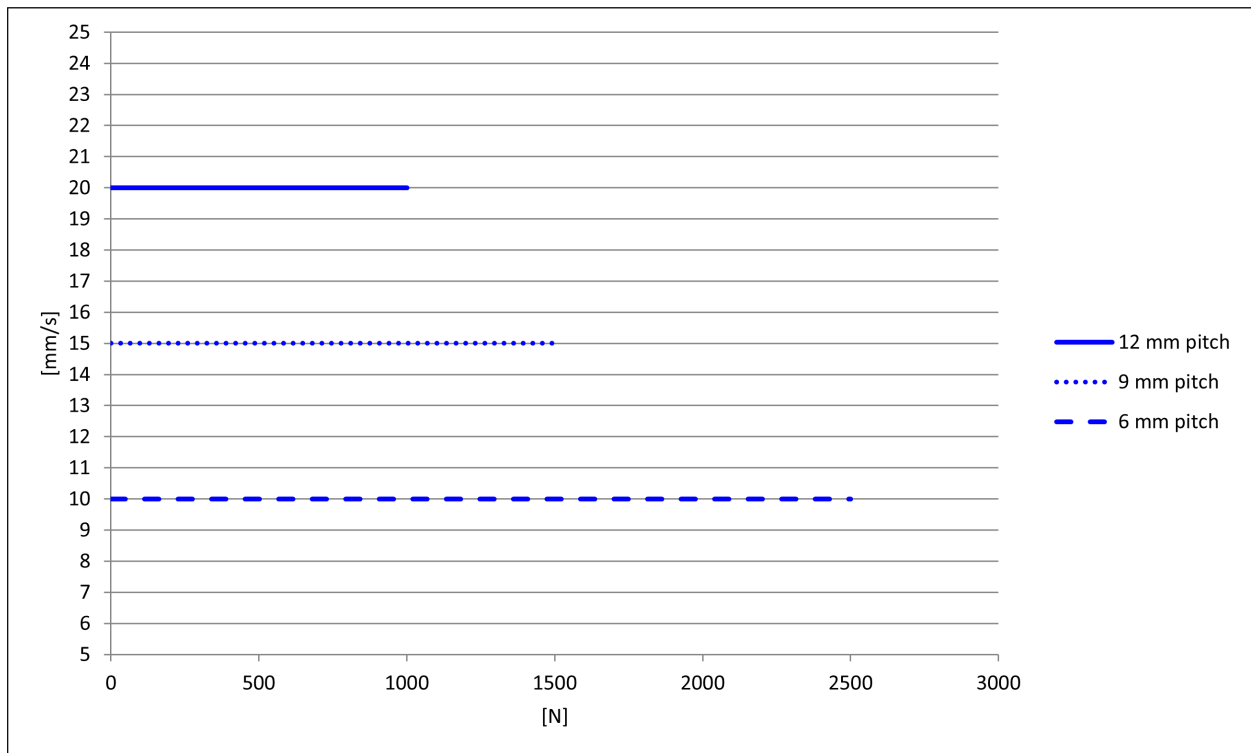


Figure 2 One DL2 with CBD6S

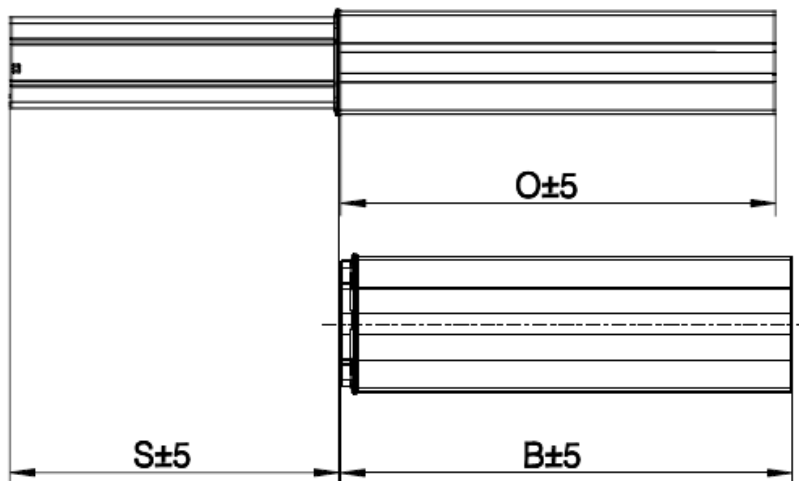
## Dimension drawings

LA31 in combination with CBD6S needs to be initialised at start-up. When the system is initialised, the actuator will stop before the end switches. Therefore, the stroke length is reduced, and the installation dimension is increased. The values are the same for the different spindle types.

Stroke length reduction: 3 mm

Installation dimension increase: 1.5 mm

### DL2



Combination code	S (Stroke length) [mm]	B (Built-in length) [mm]	O (Outer profile length) [mm]
DL2xxxxxx300xxx	300	445 / 450 / 455	420
DL2xxxxxx350xxx	350	495 / 500 / 505	470
DL2xxxxxx500xxx	500	645 / 650 / 655	620

Figure 3 DL2 built-in length, stroke length, and outer profile length (mm)

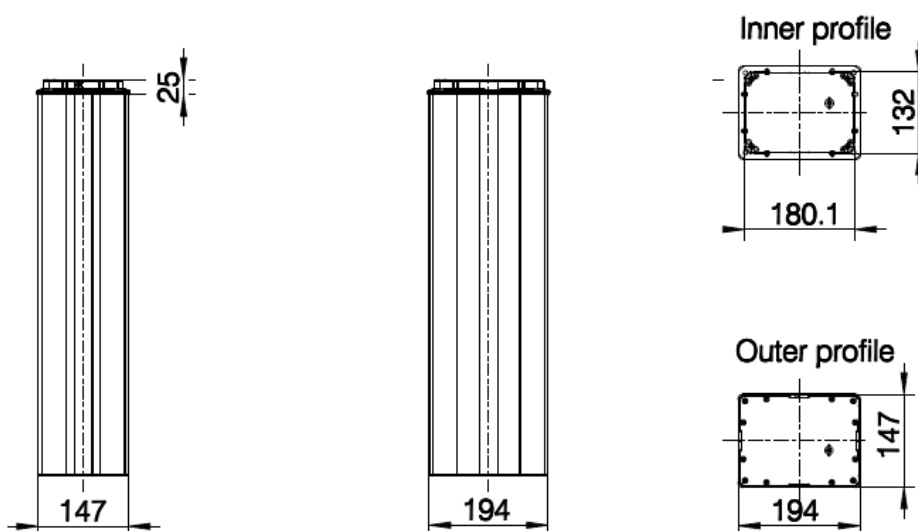


Figure 4 DL2 profile dimensions (mm)

## End plates

LINAK A/S supplies the lifting column with either 8 mm or 3 mm end plates. The DL2 can be prepared for built-in CBD6S.

### Installation dimensions:

Column without end plates + 2 x the thickness of the required end plates.

Example: 639 mm + (2 x 8 mm) = 655 mm.



All measurements are without powder coating.

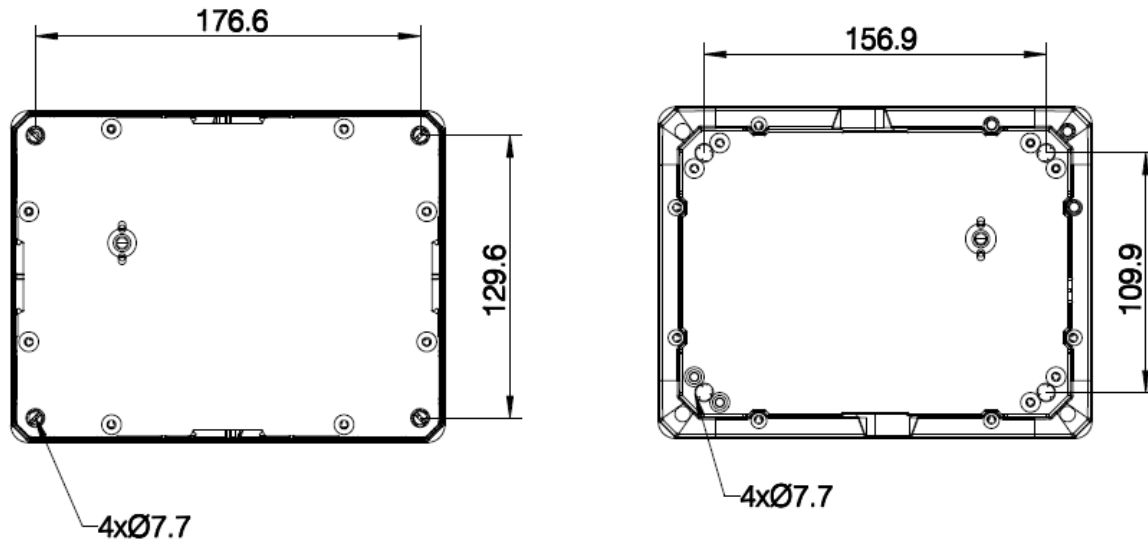


Figure 5 3 mm bottom plate (left) and top plate (right) dimensions (mm)



The maximum torque for tightening the DG 80x35 screws included for DL2 columns with 3 mm end plates is 15 Nm.

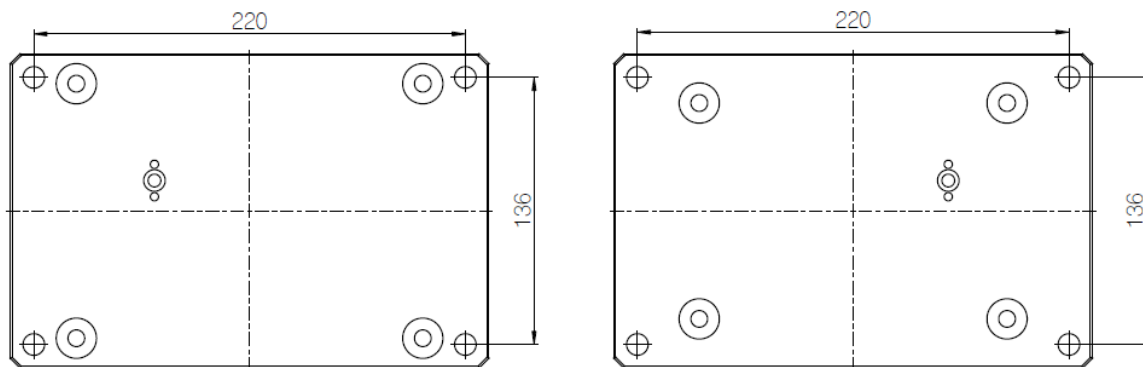


Figure 6 8 mm bottom plate (left) and top plate (right) dimensions (mm)

## Mounting bracket

The mounting bracket can for example be used for placement of a crossbar, a customised cover for encapsulation, a control box, or a computer.

The mounting bracket order code is: **0578006**

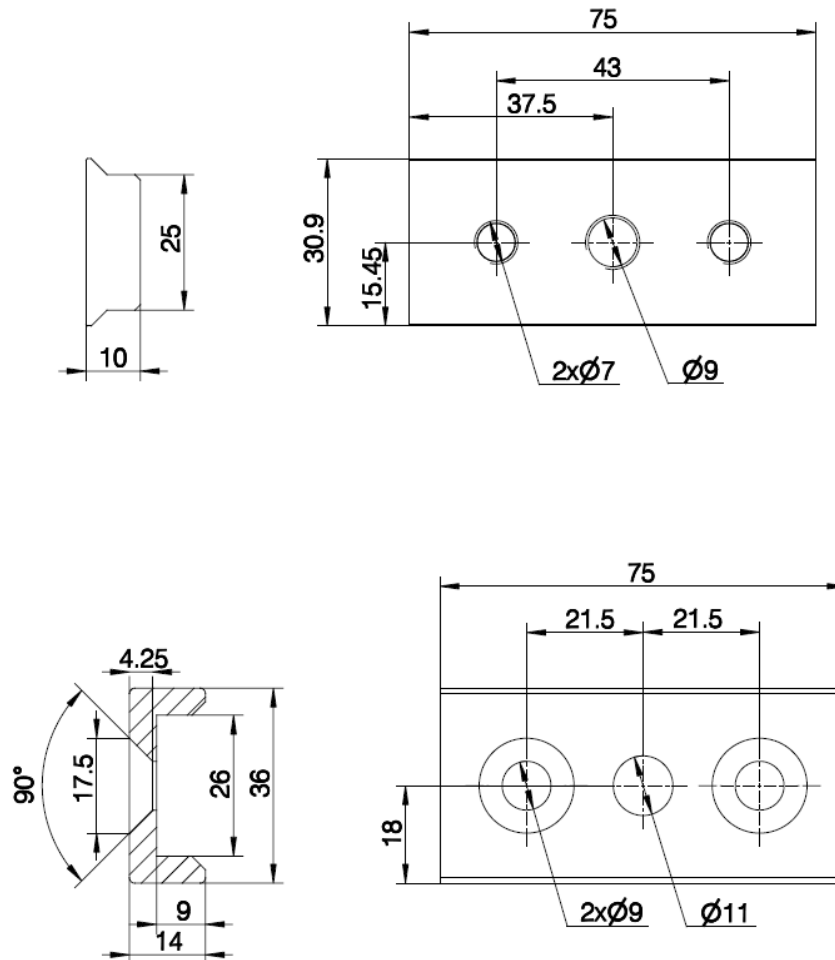


Figure 7 Mounting bracket dimensions (mm)

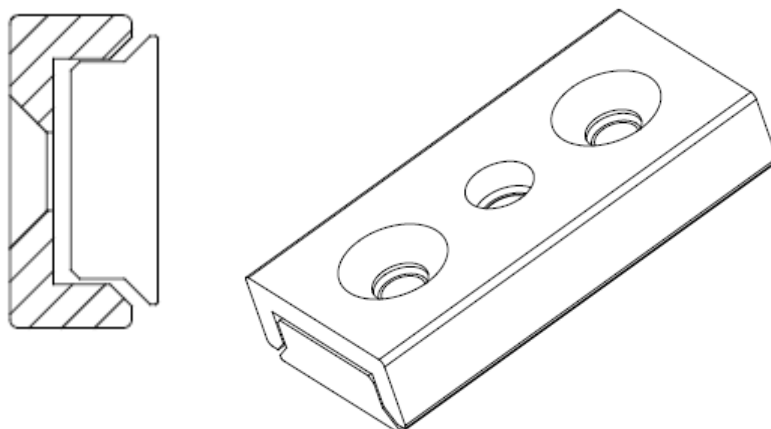


Figure 8 Mounting bracket assembled

# Contacts

## FACTORIES

Denmark - Headquarters  
 LINAK A/S  
 Phone: +45 73 15 15 15  
 Fax: +45 74 45 80 48  
 Fax (Sales): +45 73 15 16 13  
 Web: www.linak.com

China  
 LINAK (Shenzhen) Actuator Systems, Ltd.  
 Phone: +86 755 8610 6656  
 Phone: +86 755 8610 6990  
 Web: www.linak.cn

Slovakia  
 LINAK Slovakia s.r.o.  
 Phone: +421 51 7563 444  
 Web: www.linak.sk

Thailand  
 LINAK APAC Ltd.  
 Phone: +66 33 265 400  
 Web: www.linak.com

USA  
 LINAK U.S. Inc.  
 Americas Headquarters  
 Phone: +1 502 253 5595  
 Fax: +1 502 253 5596  
 Web: www.linak-us.com  
 www.linak-latinamerica.com

## SUBSIDIARIES

Australia  
 LINAK Australia Pty. Ltd  
 Phone: +61 3 8796 9777  
 Fax: +61 3 8796 9778  
 E-mail: sales@linak.com.au  
 Web: www.linak.com.au

Austria  
 LINAK Zweigniederlassung - Österreich (Wien)  
 Phone: +43 (1) 890 7446  
 Fax: +43 (1) 890 744615  
 E-mail: info@linak.de  
 Web: www.linak.at - www.linak.hu

Belgium  
 LINAK Actuator-Systems NV/SA  
 (Belgium & Luxembourg)  
 Phone: +32 (0)9 230 01 09  
 E-mail: beinfo@linak.be  
 Web: www.linak.be - www.fr.linak.be

Brazil  
 LINAK Do Brasil Comércio De Atuadores Ltda.  
 Phone: +55 (11) 2832 7070  
 Fax: +55 (11) 2832 7060  
 E-mail: info@linak.com.br  
 Web: www.linak.com.br

Canada  
 LINAK Canada Inc.  
 Phone: +1 502 253 5595  
 Fax: +1 416 255 7720  
 E-mail: info@linak.ca  
 Web: www.linak-us.com

Czech Republic  
 LINAK C&S s.r.o.  
 Phone: +42 058 174 1814  
 Fax: +42 058 170 2452  
 E-mail: info@linak.cz  
 Web: www.linak.cz - www.linak.sk

Denmark - International  
 LINAK International  
 Phone: +45 73 15 15 15  
 E-mail: info@linak.com  
 Web: www.linak.com

Denmark - Sales  
 LINAK Danmark A/S  
 Phone: +45 86 80 36 11  
 Fax: +45 86 82 90 51  
 E-mail: linak@linak-silkeborg.dk  
 Web: www.linak.dk

Finland  
 LINAK OY  
 Phone: +358 10 841 8700  
 E-mail: linak@linak.fi  
 Web: www.linak.fi

France  
 LINAK France E.U.R.L.  
 Phone: +33 (0) 2 41 36 34 34  
 Fax: +33 (0) 2 41 36 35 00  
 E-mail: linak@linak.fr  
 Web: www.linak.fr

Germany  
 LINAK GmbH  
 Phone: +49 6043 9655 0  
 Fax: +49 6043 9655 60  
 E-mail: info@linak.de  
 Web: www.linak.de

India  
 LINAK A/S India Liaison Office  
 Phone: +91 120 4531797  
 Fax: +91 120 4786428  
 E-mail: info@linak.in  
 Web: www.linak.in

Ireland  
 LINAK UK Limited (Ireland)  
 Phone: +44 (0)121 544 2211  
 Fax: +44 (0)121 544 2552  
 +44 (0)796 855 1606 (UK Mobile)  
 +35 387 634 6554 (Rep.of Ireland Mobile)  
 E-mail: sales@linak.co.uk  
 Web: www.linak.co.uk

Italy  
 LINAK ITALIA S.r.l.  
 Phone: +39 02 48 46 33 66  
 Fax: +39 02 48 46 82 52  
 E-mail: info@linak.it  
 Web: www.linak.it

Japan  
 LINAK K.K.  
 Phone: 81-45-533-0802  
 Fax: 81-45-533-0803  
 E-mail: linak@linak.jp  
 Web: www.linak.jp

Malaysia  
 LINAK Actuators Sdn. Bhd.  
 Phone: +60 4 210 6500  
 Fax: +60 4 226 8901  
 E-mail: info@linak-asia.com  
 Web: www.linak.my

Netherlands  
 LINAK Actuator-Systems B.V.  
 Phone: +31 76 5 42 44 40 /  
 +31 76 200 11 10  
 E-mail: info@linak.nl  
 Web: www.linak.nl

New Zealand  
 LINAK New Zealand Ltd  
 Phone: +64 9580 2071  
 Fax: +64 9580 2072  
 E-mail: nzsales@linak.com.au  
 Web: www.linak.com.au

Norway  
 LINAK Norge AS  
 Phone: +47 32 82 90 90  
 E-mail: info@linak.no  
 Web: www.linak.no

Poland  
 LINAK Polska  
 LINAK Danmark A/S (Spółka Akcyjna)  
 Phone: +48 22 295 09 70 /  
 +48 22 295 09 71  
 E-mail: info@linak.pl  
 Web: www.linak.pl

Republic of Korea  
 LINAK Korea Ltd.  
 Phone: +82 2 6231 1515  
 Fax: +82 2 6231 1516  
 E-mail: info@linak.kr  
 Web: www.linak.kr

Slovakia  
 LINAK Slovakia S.R.O.  
 Phone: +421 51 7563 444  
 Web: www.linak.sk

Spain  
 LINAK Actuadores, S.L.u  
 Phone: +34 93 588 27 77  
 Fax: +34 93 588 27 85  
 E-mail: esma@linak.es  
 Web: www.linak.es

Sweden  
 LINAK Scandinavia AB  
 Phone: +46 8 732 20 00  
 Fax: +46 8 732 20 50  
 E-mail: info@linak.se  
 Web: www.linak.se

Switzerland  
 LINAK AG  
 Phone: +41 43 388 31 88  
 Fax: +41 43 388 31 87  
 E-mail: info@linak.ch  
 Web: www.linak.ch - www.fr.linak.ch  
 www.it.linak.ch

Taiwan  
 LINAK (Shenzhen) Actuator systems Ltd.  
 Taiwan Representative office  
 Phone: +886 2 272 90068  
 Fax: +886 2 272 90096  
 E-mail: sales@linak.com.tw  
 Web: www.linak.com.tw

Turkey  
 LINAK İth. İhr. San. ve Tic. A.Ş.  
 Phone: +90 312 4726338  
 Fax: +90 312 4726635  
 E-mail: info@linak.com.tr  
 Web: www.linak.com.tr

United Kingdom  
 LINAK UK Limited  
 Phone: +44 (0)121 544 2211  
 Fax: +44 (0)121 544 2552  
 E-mail: sales@linak.co.uk  
 Web: www.linak.co.uk

## DISTRIBUTORS

Argentina  
 Novotec Argentina SRL  
 Phone: 011-4303-8989 / 8900  
 Fax: 011-4032-0184  
 E-mail: info@novotecargentina.com  
 Web: www.novotecargentina.com

Colombia  
 MEM Ltda  
 Phone: +[57] (1) 334-7666  
 Fax: +[57] (1) 282-1684  
 E-mail: servicioalcliente@memltda.com.co  
 Web: www.mem.net.co

India  
 Mechatronics Control Equipments India Pvt Ltd  
 Phone: +91-44-28558484, 85  
 E-mail: bala@mechatronicscontrol.com  
 Web: www.mechatronicscontrol.com

Indonesia  
 PT. Himalaya Everest Jaya  
 Phone: +6 221 544 8956 /+6 221 544 8965  
 Fax: +6 221 619 1925  
 Fax (Sales): +6 221 619 4658  
 E-mail: hejplastic-div@centrin.net.id  
 Web: www.hej.co.id

Israel  
 NetivTech LTD  
 Phone: +972 55-2266-535  
 Fax: +972 2-9900-560  
 Email: info@NetivTech.com  
 Web: www.netivtech.com

Singapore  
 Servo Dynamics Pte Ltd  
 Phone: +65 6844 0288  
 Fax: +65 6844 0070  
 E-mail: servodynamics@servo.com.sg

South Africa  
 Industrial Specialised Applications CC  
 Phone: +27 011 466 0346  
 E-mail: gartht@isagroup.co.za  
 Web: www.isaza.co.za

United Arab Emirates  
 Mechatronics  
 Phone: +971 4 267 4311  
 Fax: +971 4 267 4312  
 E-mail: mechtron@emirates.net.ae

## Terms of use

LINAK® takes great care in providing accurate and up-to-date information on its products. However, the user is responsible for determining the suitability of LINAK products for a specific application. Due to continual development, LINAK products are subject to frequent modifications and changes. LINAK reserves the rights to conduct modifications, updates, and changes without any prior notice. For the same reason, LINAK cannot guarantee the correctness and actual status of imprinted information on its products.

LINAK uses its best efforts to fulfil orders. However, for the reasons mentioned above, LINAK cannot guarantee availability of any particular product at any given time. LINAK reserves the right to discontinue the sale of any product displayed on its website or listed in its catalogues or in other written material created and produced by LINAK, LINAK subsidiaries, or LINAK affiliates. All sales are subject to the 'Standard Terms of Sale and Delivery for LINAK A/S' available on LINAK websites. LINAK and the LINAK logotype are registered trademarks of LINAK A/S. All rights reserved.



WE IMPROVE YOUR LIFE