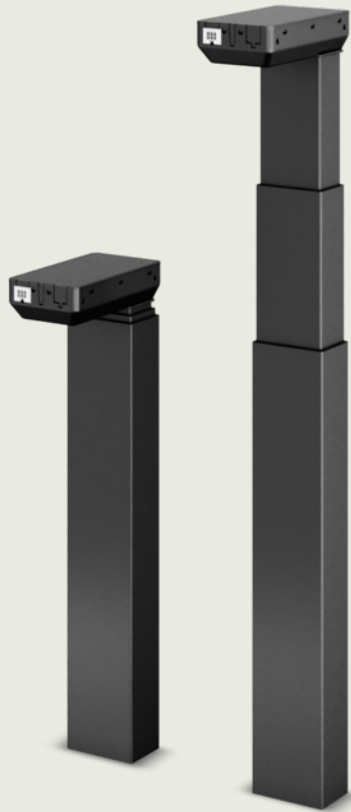


# DL21

## Data Sheet





The DESKLIFT™ DL21 is a compact three-part lifting column, perfect for a wide range of different height-adjustable desk applications; from industrial and technical work stations to sit-stand office desk. The three-part construction ensures a short installation dimension combined with a long stroke length making the DL21 the optimal choice for the desk no matter the height of the person using it.

The DL21 has a compact motor housing, which is almost invisible in the tabletop construction, and the column is very sturdy. The DL21 has the same outer dimensions (60 x 90 mm) and motor-housing mounting holes as the two-part DL20 column, which makes them fit the same top frame and foot constructions, including the Kick & Click™ top frame. The DL21 is a PLUS™ column ensuring a clean design without visible gliding pads. The column is available in several colours, and trim rings for optimised appearance are available in black, grey or white for the PLUS™.

The wide DL21 product programme offers various options such as:

- PIEZO™ (collision protection) minimising the risk of damage to a desk caused by collision with an obstacle
- high-speed variant for fast height adjustment
- versions prepared for Click-on Feet
- versions for bench solutions

The columns are controlled by a DESKLINE® control box (CBD). The control box ensures optimal parallel drive and a pleasantly low sound level. Depending on the control box, the columns can be used as a single column or with 2, 3 or 4 columns in parallel systems, or up to 16 columns in multi-parallel systems. A variety of desk panels can be used for adjusting the desk. A Desk Sensor™ 1 anti-collision dongle can be plugged into the control box to limit material damage to the desk or an object in case a collision occurs during driving of the desk.

## Features/Options/Compatibility/Usage

### Features

- Three-part motor-housing column
- PLUS™: No visible gliding pads
- In combination with CBD6S:

Parameter	With CBD6S (300 W or 200 W)
Max. speed (unloaded)	38 mm/s
Max. load (per column)	800 N
Self-lock (per column)	800 N

- Installation dimension: 560 mm  
518 mm (BIFMA)
- Stroke length: 650 mm  
665 mm (BIFMA)
- Weight: Approximately 8.5 kg per column
- Dimensions column: 60 x 90 mm (see also [Dimension drawings](#)).
- Dimension motor housing: 177 x 97 x 46 mm
- Four M6 and two M8 threaded holes in bottom plate for mounting of feet
- Colour: Available in black (RAL 9005), grey (RAL 9006) or white (RAL 9016)
- Low sound level

### Options

- PIEZO™: Integrated sensor minimising the risk of damage to a desk caused by squeezing or blocking it in upward or downward direction
- Available with trim rings in black, grey or white
- Versions prepared for Click-on Feet
- High-speed variants for faster height adjustment (in combination with CBD6S with software SW03002024 version 1.00 or newer)

Parameter	With CBD6S (300 W)	With CBD6S (200 W)
Max. speed (unloaded)	80 mm/s	60 mm/s
Max. load (per column)	700 N	
Self-lock (per column)	1200 N	

- Available with bench bracket
- Customised colours

## Compatibility

- DESKLINE® control boxes
- DESKLINE® controls
- Kick & Click™ top frame
- Click-on Feet

## Usage

- Single or 2, 3 or 4 parallel drive or even multi-parallel with up to 16 columns
- Duty cycle: 10% ≈ max. 2 minutes continuous use at full load, followed by 18 minutes pause
- For indoor use in dry locations

Parameter	Operation	Storage and transportation
Temperature	10 to 40 °C	-10 to +50 °C
Relative humidity	20% to 80% - non-condensing	20% to 80% - non-condensing
Atmospheric pressure	800 to 1060 hPa	700 to 1060 hPa
Altitude	Max. 2000 m	N/A

For system compliance, please refer to the Declaration of Conformity in the [User Manual](#).

## Ordering

DL21		
SPINDLE TYPE	0	0 = 20 mm pitch (Standard) 3 = 30 mm pitch (High-speed) *
TRIM RINGS	0	0 = No trim rings A = Grey trim rings B = Black trim rings D = White trim rings
MOUNTING BRACKET	0	0 = None L = Bench bracket on left narrow side R = Bench bracket on right narrow side V = Bench bracket on left narrow side *** H = Bench bracket on right narrow side ***
COLOUR	B	A = Grey (RAL 9006) B = Black (RAL 9005) D = White (RAL 9016)
OPTION	P	P = PLUS series Z = PLUS columns prepared for Click-on Foot
MOTOR TYPE	0	0 = Standard E = PIEZO T = High-speed ** V = High-speed + PIEZO **
STROKE LENGTH	650	650 = 650 mm 665 = 665 mm (BIFMA)
INSTALLATION DIM.	560	560 = 560 mm 518 = 518 mm (BIFMA)

**DL21000BP0650560**

\*: Always with motor type option T or V

\*\* : Always with spindle type 30 mm pitch

\*\*\*: Columns with bench bracket compatible with the LINAK cross member set for a complete bench solution.  
Cross members must be ordered separately



All cables for creating a fully connected DESKLINE® system must be ordered separately. We offer a range of different versions and lengths. To get information such as ordering number, and colour and length of the cables, please contact your local LINAK.



A column in BIFMA version is less stable in the full stroke length compared to a standard column as it has less overlap between the profiles.

## Technical data

### Performance curves

The following data is measured in connection with 2 to 4 lifting columns and control box CBD6S. The desk is driving upwards.



The curves below apply to a centrally placed load. With moment load, there will be increased friction in the columns, which will reduce the lifting force correspondingly.

#### DL21 800 N (20 mm spindle)

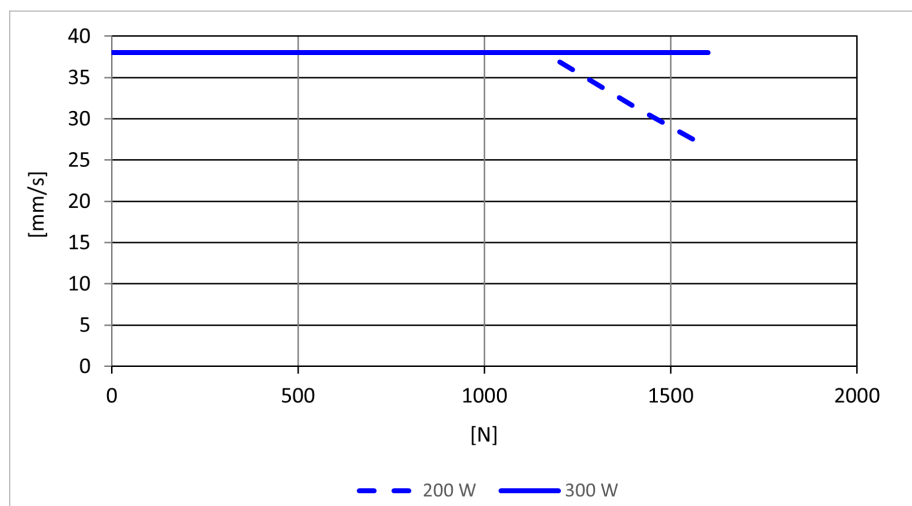


Figure 1 Two columns (equally loaded) - 200 W / 300 W

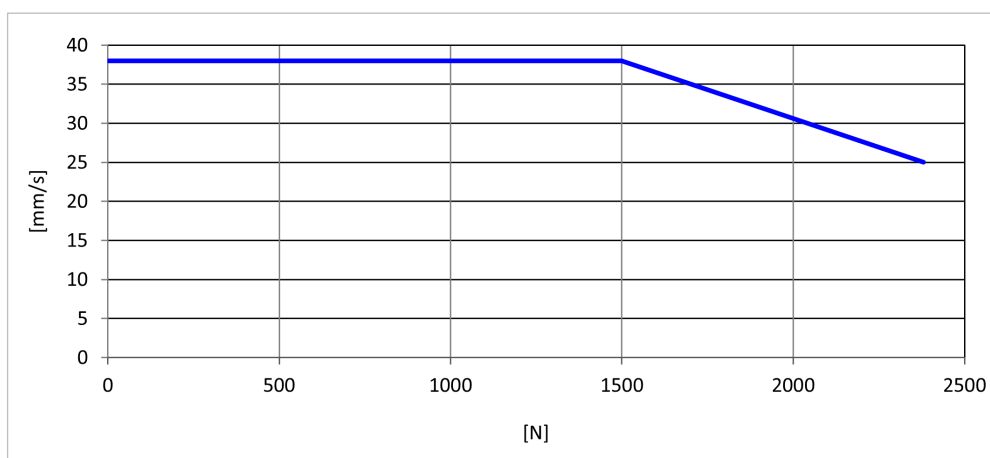


Figure 2 Three columns (equally loaded) with CBD6S - 300 W

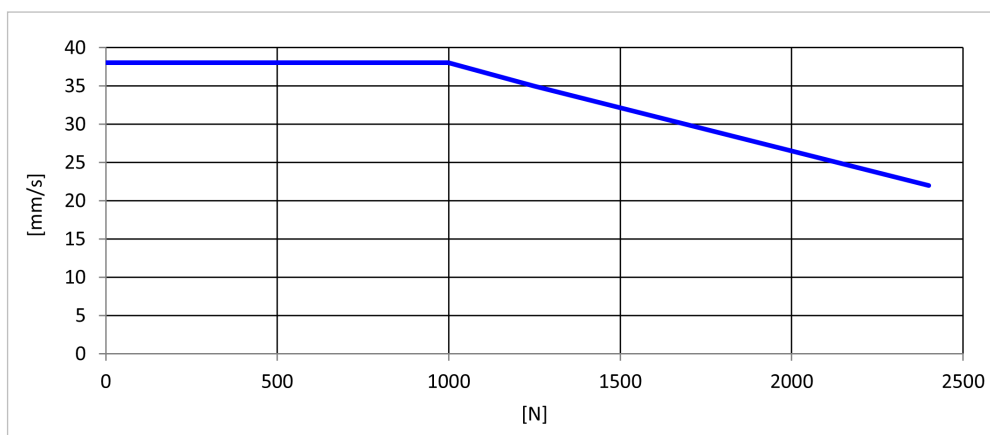


Figure 3 Four columns (equally loaded) with CBD6S - 300 W

## High-speed columns with CBD6S

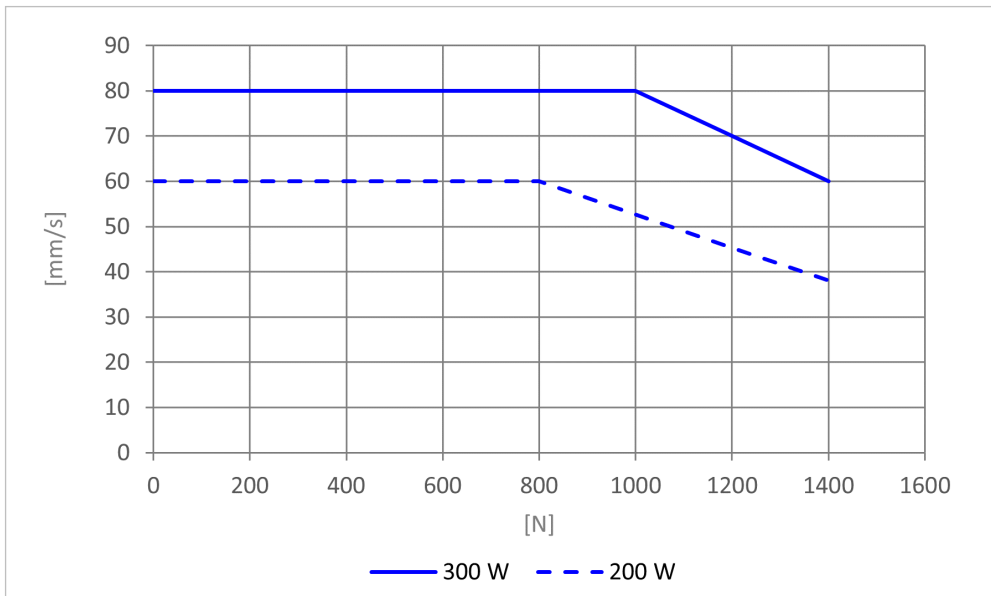


Figure 4 Two High-speed columns (equally loaded) with CBD6S - 200 W / 300 W

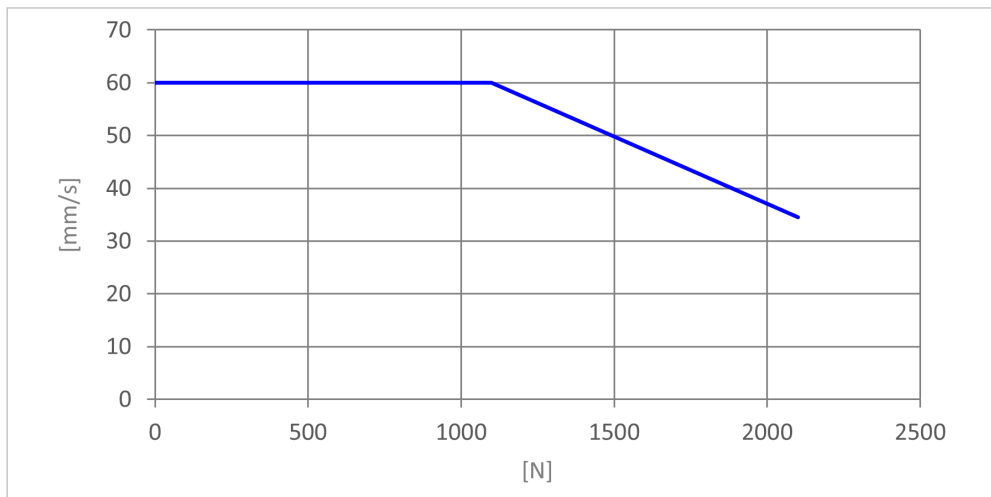


Figure 5 Three High-speed columns (equally loaded) with CBD6S - 300 W

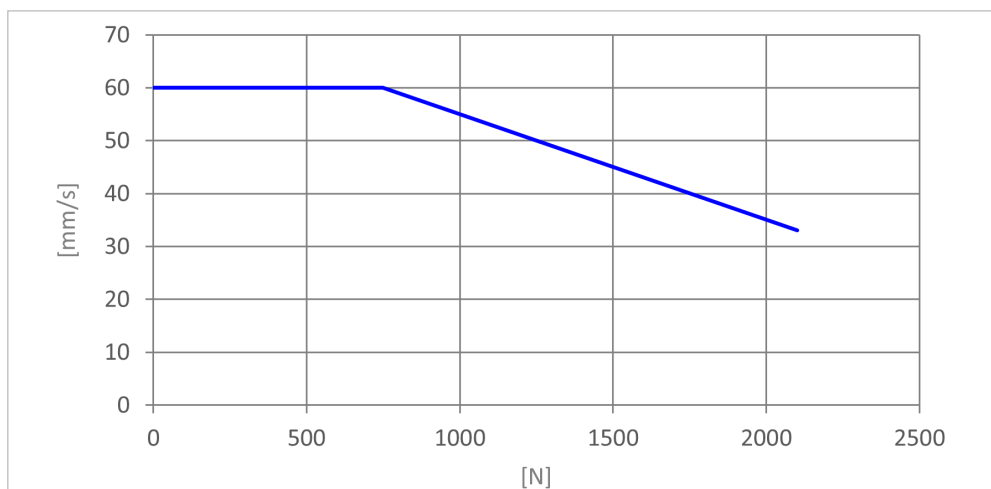


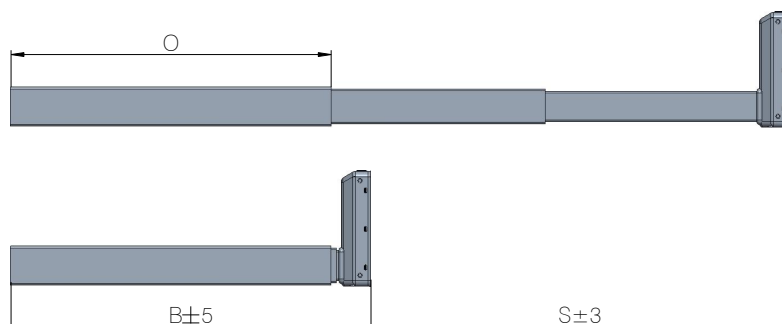
Figure 6 Four High-speed columns (equally loaded) with CBD6S - 300 W

## Dimension drawings



All dimensions are in mm.

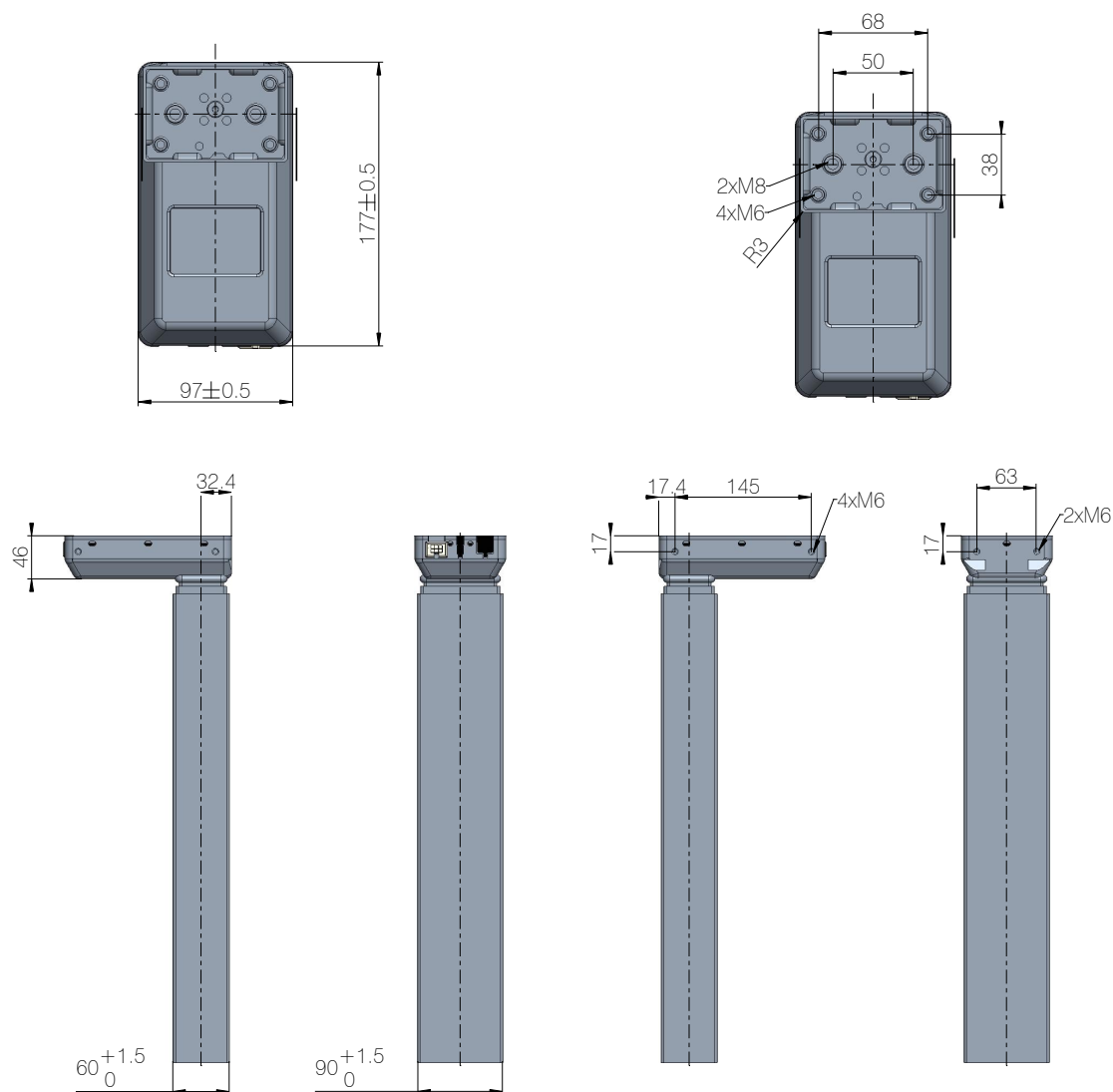
### Columns



Drawing no. 1064W8901

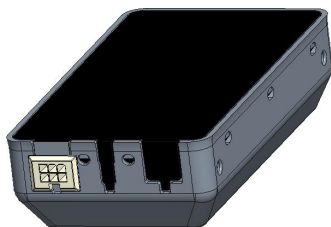
Version	Combination code	B (Built-in length)	S (Stroke length)	O (Outer profile length)
Standard	DL21xxxxx650560	560	650	498
BIFMA	DL21xxxxx665518	518	665	456

Figure 7 Built-in length, stroke length, and outer profile length



Drawing no. 1064W8901

Figure 8 Motor-housing, bottom plate, and profile

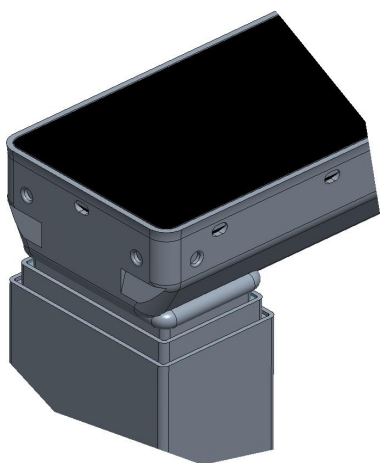


Standard

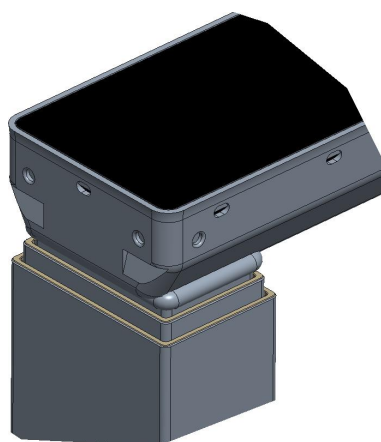
Drawing no. 1064W8901

Combination code	Type
DL21xxxxxxxxxxx	Standard

Figure 9 Socket combination



Without trim rings



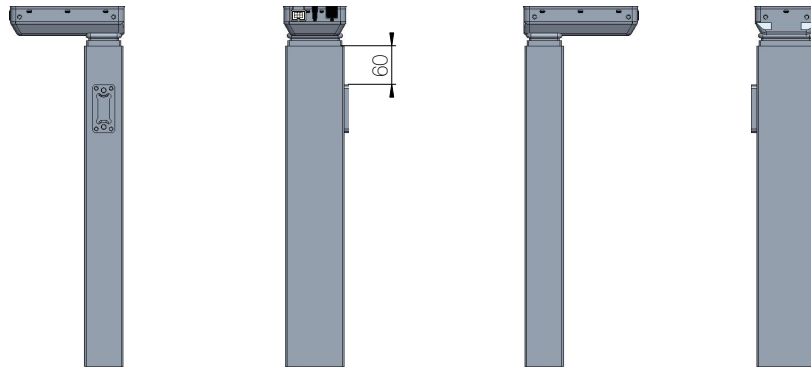
With trim rings

Drawing no. 1064W8901

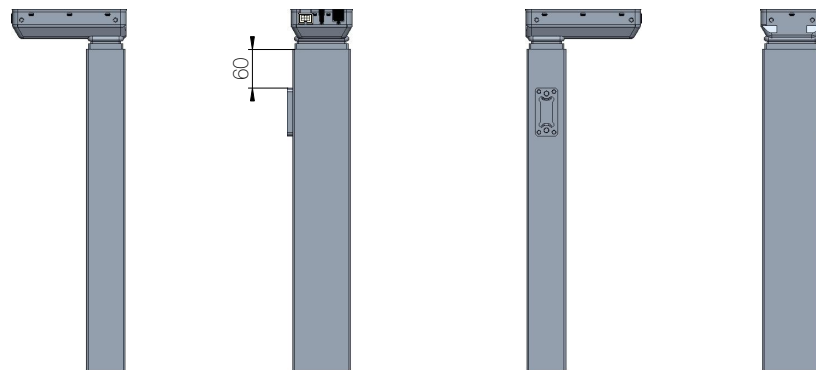
Figure 10 Profile design

## Bracket options

Bench left



Bench right

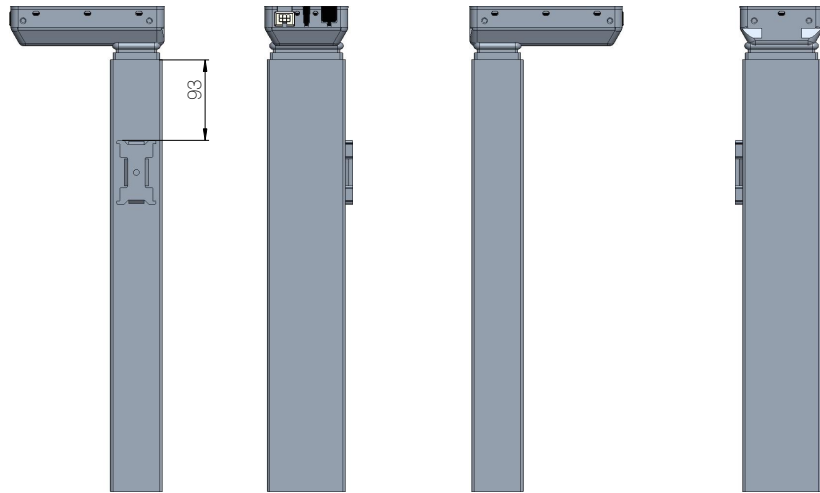


Drawing no. 1064W8901

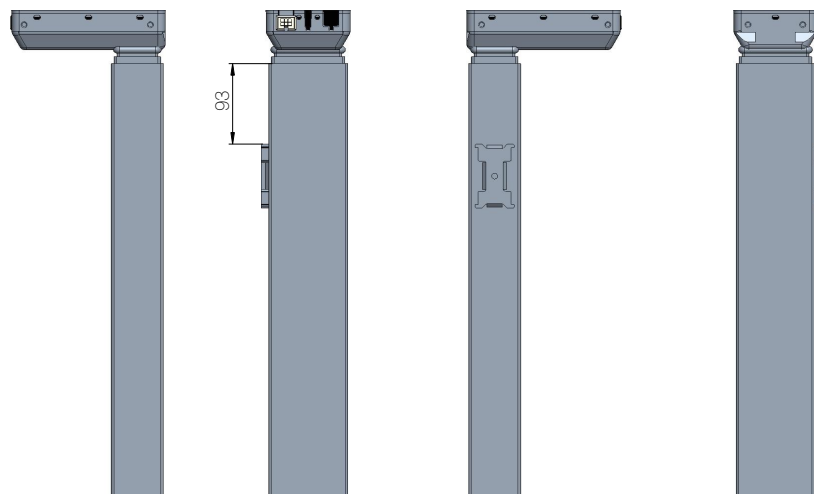
Combination code	Bench left	Bench right
DL21xxLxxxxxxxxx	X	
DL21xxRxxxxxxxxx		X

Figure 11 Bracket options (types L and R)

DESKLINE Bench left



DESKLINE Bench right



Drawing no. 1064W8901

Combination code	DESKLINE Bench left	DESKLINE Bench right
DL21xxVxPSxxxxxx	X	
DL21xxHxPMxxxxxx		X

Figure 12 DESKLINE Bench bracket options (types V and H)  
(compatible with LINAK cross members)

## Brackets

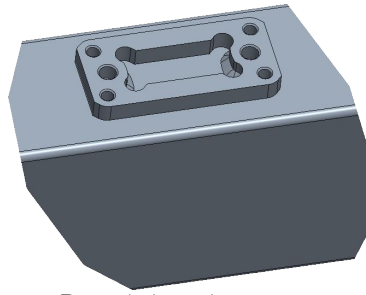


Figure 13 Bench bracket (type L and R)

Drawing no. 1064W8901

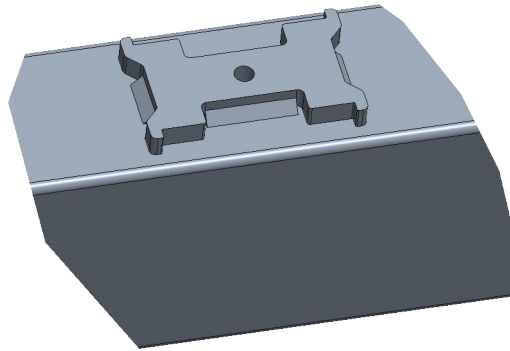


Figure 14 Bench bracket (type V and H) - compatible with LINAK cross members

Drawing no. 1064W8901

## Cross members

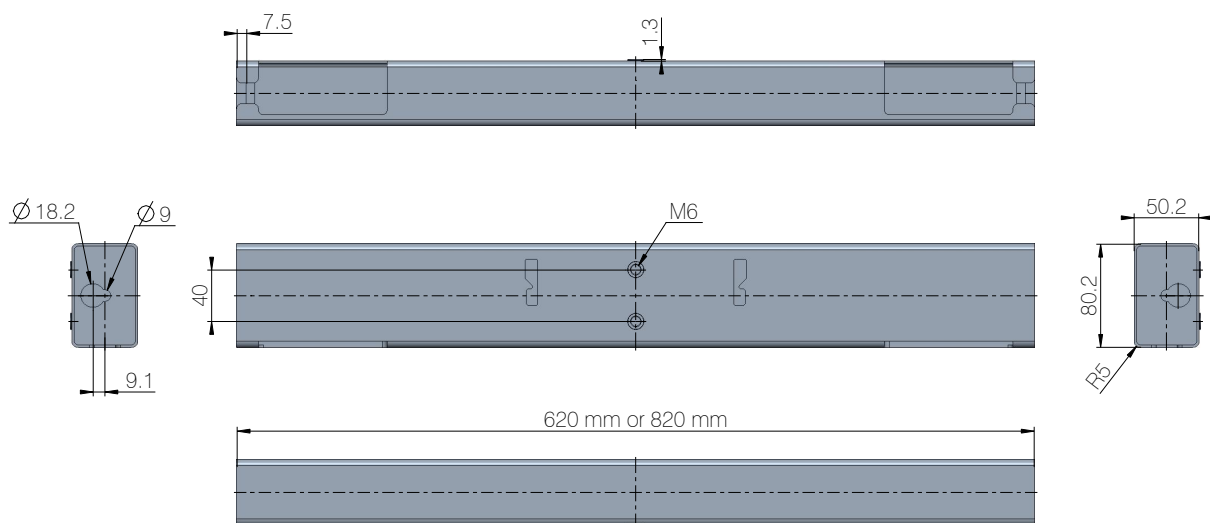


Figure 15 Cross member

Drawing no. 1066W4030

# Contacts

## FACTORIES

Denmark - Headquarters

LINAK A/S

Phone: +45 73 15 15 15

Fax: +45 74 45 80 48

Fax (Sales): +45 73 15 16 13

Web: [www.linak.com](http://www.linak.com)

China

LINAK (Shenzhen) Actuator Systems, Ltd.

Phone: +86 755 8610 6656

Phone: +86 755 8610 6990

Web: [www.linak.cn](http://www.linak.cn)

Slovakia

LINAK Slovakia s.r.o.

Phone: +421 51 7563 444

Web: [www.linak.sk](http://www.linak.sk)

Thailand

LINAK APAC Ltd.

Phone: +66 33 265 400

Web: [www.linak.com](http://www.linak.com)

USA

LINAK U.S. Inc.

Americas Headquarters

Phone: +1 502 253 5595

Fax: +1 502 253 5596

Web: [www.linak-us.com](http://www.linak-us.com)

[www.linak-latinamerica.com](http://www.linak-latinamerica.com)

## SUBSIDIARIES

Australia

LINAK Australia Pty. Ltd

Phone: +61 3 8796 9777

Fax: +61 3 8796 9778

E-mail: [sales@linak.com.au](mailto:sales@linak.com.au)

Web: [www.linak.com.au](http://www.linak.com.au)

Austria

LINAK Zweigniederlassung - Österreich (Wien)

Phone: +43 (1) 890 7446

Fax: +43 (1) 890 744615

E-mail: [info@linak.de](mailto:info@linak.de)

Web: [www.linak.at](http://www.linak.at) - [www.linak.hu](http://www.linak.hu)

Belgium

LINAK Actuator-Systems NV/SA

(Belgium & Luxembourg)

Phone: +32 (0)9 230 01 09

E-mail: [beinfo@linak.be](mailto:beinfo@linak.be)

Web: [www.linak.be](http://www.linak.be) - [www.fr.linak.be](http://www.fr.linak.be)

Brazil

LINAK Do Brasil Comércio De Atuadores Ltda.

Phone: +55 (11) 2832 7070

Fax: +55 (11) 2832 7060

E-mail: [info@linak.com.br](mailto:info@linak.com.br)

Web: [www.linak.com.br](http://www.linak.com.br)

Canada

LINAK Canada Inc.

Phone: +1 502 253 5595

Fax: +1 416 255 7720

E-mail: [info@linak.ca](mailto:info@linak.ca)

Web: [www.linak-us.com](http://www.linak-us.com)

Czech Republic

LINAK C&S s.r.o.

Phone: +42 058 174 1814

Fax: +42 058 170 2452

E-mail: [info@linak.cz](mailto:info@linak.cz)

Web: [www.linak.cz](http://www.linak.cz) - [www.linak.sk](http://www.linak.sk)

Denmark - International

LINAK International

Phone: +45 73 15 15 15

E-mail: [info@linak.com](mailto:info@linak.com)

Web: [www.linak.com](http://www.linak.com)

Denmark - Sales

LINAK Danmark A/S

Phone: +45 86 80 36 11

Fax: +45 86 82 90 51

E-mail: [linak@linak-silkeborg.dk](mailto:linak@linak-silkeborg.dk)

Web: [www.linak.dk](http://www.linak.dk)

Finland

LINAK OY

Phone: +358 10 841 8700

E-mail: [linak@linak.fi](mailto:linak@linak.fi)

Web: [www.linak.fi](http://www.linak.fi)

France

LINAK France E.U.R.L

Phone: +33 (0) 2 41 36 34 34

Fax: +33 (0) 2 41 36 35 00

E-mail: [linak@linak.fr](mailto:linak@linak.fr)

Web: [www.linak.fr](http://www.linak.fr)

Germany

LINAK GmbH

Phone: +49 6043 9655 0

Fax: +49 6043 9655 60

E-mail: [info@linak.de](mailto:info@linak.de)

Web: [www.linak.de](http://www.linak.de)

India

LINAK A/S India Liaison Office

Phone: +91 120 4531797

Fax: +91 120 4786428

E-mail: [info@linak.in](mailto:info@linak.in)

Web: [www.linak.in](http://www.linak.in)

Italy

LINAK ITALIA S.r.l.

Phone: +39 02 48 46 33 66

Fax: +39 02 48 46 82 52

E-mail: [info@linak.it](mailto:info@linak.it)

Web: [www.linak.it](http://www.linak.it)

Japan

LINAK K.K.

Phone: 81-45-533-0802

Fax: 81-45-533-0803

E-mail: [linak@linak.jp](mailto:linak@linak.jp)

Web: [www.linak.jp](http://www.linak.jp)

Malaysia

LINAK Actuators Sdn. Bhd.

Phone: +60 4 210 6500

Fax: +60 4 226 8901

E-mail: [info@linak-asia.com](mailto:info@linak-asia.com)

Web: [www.linak.my](http://www.linak.my)

Netherlands

LINAK Actuator-Systems B.V.

Phone: +31 76 5 42 44 40 /

+31 76 200 11 10

E-mail: [info@linak.nl](mailto:info@linak.nl)

Web: [www.linak.nl](http://www.linak.nl)

New Zealand

LINAK New Zealand Ltd

Phone: +64 9580 2071

Fax: +64 9580 2072

E-mail: [nzsales@linak.com.au](mailto:nzsales@linak.com.au)

Web: [www.linak.com.au](http://www.linak.com.au)

Norway

LINAK Norge AS

Phone: +47 32 82 90 90

E-mail: [info@linak.no](mailto:info@linak.no)

Web: [www.linak.no](http://www.linak.no)

Poland

LINAK Polska

LINAK Danmark A/S (Spółka Akcyjna)

Phone: +48 22 295 09 70 /

+48 22 295 09 71

E-mail: [info@linak.pl](mailto:info@linak.pl)

Web: [www.linak.pl](http://www.linak.pl)

Republic of Korea

LINAK Korea Ltd.

Phone: +82 2 6231 1515

Fax: +82 2 6231 1516

E-mail: [info@linak.kr](mailto:info@linak.kr)

Web: [www.linak.kr](http://www.linak.kr)

Slovakia

LINAK Slovakia S.R.O.

Phone: +421 51 7563 444

Web: [www.linak.sk](http://www.linak.sk)

Spain

LINAK Actuadores, S.L.U

Phone: +34 93 588 27 77

Fax: +34 93 588 27 85

E-mail: [esma@linak.es](mailto:esma@linak.es)

Web: [www.linak.es](http://www.linak.es)

Sweden

LINAK Scandinavia AB

Phone: +46 8 732 20 00

Fax: +46 8 732 20 50

E-mail: [info@linak.se](mailto:info@linak.se)

Web: [www.linak.se](http://www.linak.se)

Switzerland

LINAK AG

Phone: +41 43 388 31 88

Fax: +41 43 388 31 87

E-mail: [info@linak.ch](mailto:info@linak.ch)

Web: [www.linak.ch](http://www.linak.ch) - [www.fr.linak.ch](http://www.fr.linak.ch)

[www.it.linak.ch](http://www.it.linak.ch)

Taiwan

LINAK (Shenzhen) Actuator systems Ltd.

Taiwan Representative office

Phone: +886 2 272 90068

Fax: +886 2 272 90096

E-mail: [sales@linak.com.tw](mailto:sales@linak.com.tw)

Web: [www.linak.com.tw](http://www.linak.com.tw)

Turkey

LINAK İth. İhr. San. ve Tic. A.Ş.

Phone: +90 312 4726338

Fax: +90 312 4726635

E-mail: [info@linak.com.tr](mailto:info@linak.com.tr)

Web: [www.linak.com.tr](http://www.linak.com.tr)

United Kingdom & Ireland

LINAK UK Limited

Phone: +44 (0)121 544 2211

Fax: +44 (0)121 544 2552

E-mail: [sales@linak.co.uk](mailto:sales@linak.co.uk)

Web: [www.linak.co.uk](http://www.linak.co.uk)

## DISTRIBUTORS

Argentina

Novotec Argentina SRL

Phone: 011-4303-8989 / 8900

Fax: 011-4032-0184

E-mail: [info@novotecargentina.com](mailto:info@novotecargentina.com)

Web: [www.novotecargentina.com](http://www.novotecargentina.com)

Colombia

MEM Ltda

Phone: +[57] (1) 334-7666

Fax: +[57] (1) 282-1684

E-mail: [servicioalcliente@memltda.com.co](mailto:servicioalcliente@memltda.com.co)

Web: [www.mem.net.co](http://www.mem.net.co)

India

Mechatronics Control Equipments India Pvt Ltd

Phone: +91-44-28558484, 85

E-mail: [bala@mechatronicscontrol.com](mailto:bala@mechatronicscontrol.com)

Web: [www.mechatronicscontrol.com](http://www.mechatronicscontrol.com)

Indonesia

PT. Himalaya Everest Jaya

Phone: +6 221 544 8956 /+6 221 544 8965

Fax: +6 221 619 1925

Fax (Sales): +6 221 619 4658

E-mail: [hejplastic-div@centrin.net.id](mailto:hejplastic-div@centrin.net.id)

Web: [www.hej.co.id](http://www.hej.co.id)

Israel

NetivTech LTD

Phone: +972 55-2266-535

Fax: +972 2-9900-560

Email: [info@NetivTech.com](mailto:info@NetivTech.com)

Web: [www.netivtech.com](http://www.netivtech.com)

Singapore

Servo Dynamics Pte Ltd

Phone: +65 6844 0288

Fax: +65 6844 0070

E-mail: [servodynamics@servo.com.sg](mailto:servodynamics@servo.com.sg)

South Africa

Industrial Specialised Applications CC

Phone: +27 011 466 0346

E-mail: [gartht@isagroup.co.za](mailto:gartht@isagroup.co.za)

Web: [www.isaza.co.za](http://www.isaza.co.za)

United Arab Emirates

Mechatronics

Phone: +971 4 267 4311

Fax: +971 4 267 4312

E-mail: [mecatron@emirates.net.ae](mailto:mecatron@emirates.net.ae)

## Terms of use

LINAK® takes great care in providing accurate and up-to-date information on its products. However, the user is responsible for determining the suitability of LINAK products for a specific application. Due to continual development, LINAK products are subject to frequent modifications and changes. LINAK reserves the rights to conduct modifications, updates, and changes without any prior notice. For the same reason, LINAK cannot guarantee the correctness and actual status of imprinted information on its products.

LINAK uses its best efforts to fulfil orders. However, for the reasons mentioned above, LINAK cannot guarantee availability of any particular product at any given time. LINAK reserves the right to discontinue the sale of any product displayed on its website or listed in its catalogues or in other written material created and produced by LINAK, LINAK subsidiaries, or LINAK affiliates. All sales are subject to the 'Standard Terms of Sale and Delivery for LINAK A/S' available on LINAK websites. LINAK and the LINAK logotype are registered trademarks of LINAK A/S. All rights reserved.