

Hand Control HB400

Data Sheet



Contents

Introduction.....	3
Usage	4
Ordering Example	5
Dimension drawing	6
HB400 with hook type 0.....	6
HB400 with hook type 2.....	6
HB400 with magnet blind.....	7
Front covers.....	8
Contacts	10

Introduction



The HB400 hand control is designed for a wide range of applications such as hospital beds, nursing home beds and other medical applications such as treatment chairs and couches.

It offers up to 6 rows of buttons and is equipped with a magnet sensor for locking of individual rows. One LED for each row ensures a clear overview of the rows that are locked.

The hand control is available with backlight which makes it possible for users to find the hand control and see the symbols during the day and at night.

HB400 can be used with some LINAK® analogue and all OpenBus™ control boxes. The

housing design is clear and intuitive so that it can easily be operated by both left- and right-handers. It comes with three different hook designs, making it suitable for most applications.

With HB400, the following features are guaranteed:

- Locking of individual rows
- Up to 6 rows of buttons with optional LED indication
- Up to 6 LEDs for indication
- LINAK analogue or OpenBus technology
- Intuitive operation
- Backlight for easy operation
- Magnet key for easy locking of functions



Features and options

Hand control for up to 6 rows

Number of buttons:	Up to 12
Button type:	Tactile switches
Compatibility:	Analogue and OpenBus™ control boxes
Indicators:	Up to 6 LEDs
Lock function:	Hall (magnet)
Backlight:	Yes (white)
Housing colour:	Light grey (RAL 7035)
Protection class:	IPX6, IPX6 Washable
Front cover:	Standard or customised
Cable:	Fixed 600 mm coiled PU cable (RAL 7035) with modular plug
Attachment:	3 different hooks

Usage

Operation temperature:	+5 °C to +40 °C
Storage temperature:	-10 °C to +50 °C
Relative humidity:	20% to 80% – non-condensing
Atmospheric pressure:	700 to 1060 hPa
Meters above sea level:	Max. 3000 meters
Flammability rating:	HB
Latex free:	Yes
Approvals:	IEC60601-1 ANSI/AAMI ES60601-1 CAN/CSA-22.2 No 60601-1



Ordering Example

	H	
Type	<input type="text" value="B"/>	B = HB400
Series	<input type="text" value="400"/>	400 = HB400
Rows	<input type="text" value="6"/>	2 = 2 Rows 3 = 3 Rows 4 = 4 Row 5 = 5 Rows 6 = 6 Rows
Functionality	<input type="text" value="VX"/>	Vx = Openbus™ 0x = Analogue
Hall	<input type="text" value="1"/>	1 = Hall 0 = No Hall
Front cover	<input type="text" value="0"/>	0 = Standard X = Special
Front cover number	<input type="text" value="001"/>	0 = Last 3 digits in front cover number
Backlight	<input type="text" value="1"/>	0 = None 1 = Backlight
Lock Indicator	<input type="text" value="1"/>	0 = None 1 = Lock indicators
IP-Degree	<input type="text" value="6"/>	6 = IPX6 W = Washable DURA™
	<input type="text" value="-"/>	
Colour	<input type="text" value="1"/>	1 = Grey RAL7035
Mounting	<input type="text" value="0"/>	0 = Hook type 0 1 = Magnet 2 = Hook type 2
Not used	<input type="text" value="0"/>	0 = None
Not used	<input type="text" value="0"/>	0 = None
Not used	<input type="text" value="0"/>	0 = None
Not used	<input type="text" value="0"/>	0 = None
Not used	<input type="text" value="0"/>	0 = None
Not used	<input type="text" value="0"/>	0 = None
Cable Colour	<input type="text" value="1"/>	1 = Grey RAL7035
Plug Type	<input type="text" value="D"/>	D = Modular Jack
Cable Material	<input type="text" value="1"/>	1 = PU
Cable	<input type="text" value="C"/>	C = Coiled
Not used	<input type="text" value="0"/>	0 = None

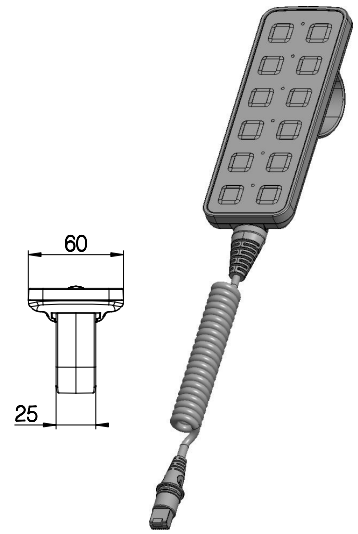
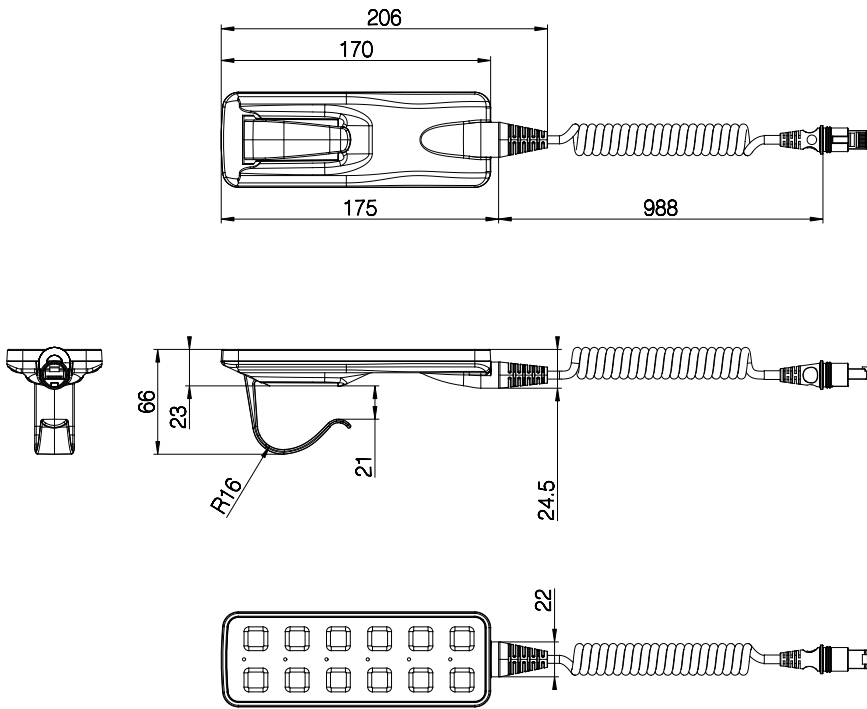
Chosen item number:

HB4006VX10001116-10000001D1C0

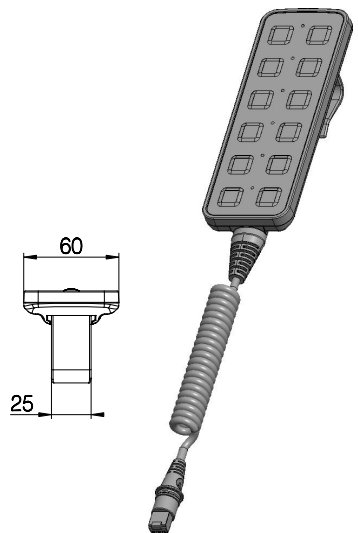
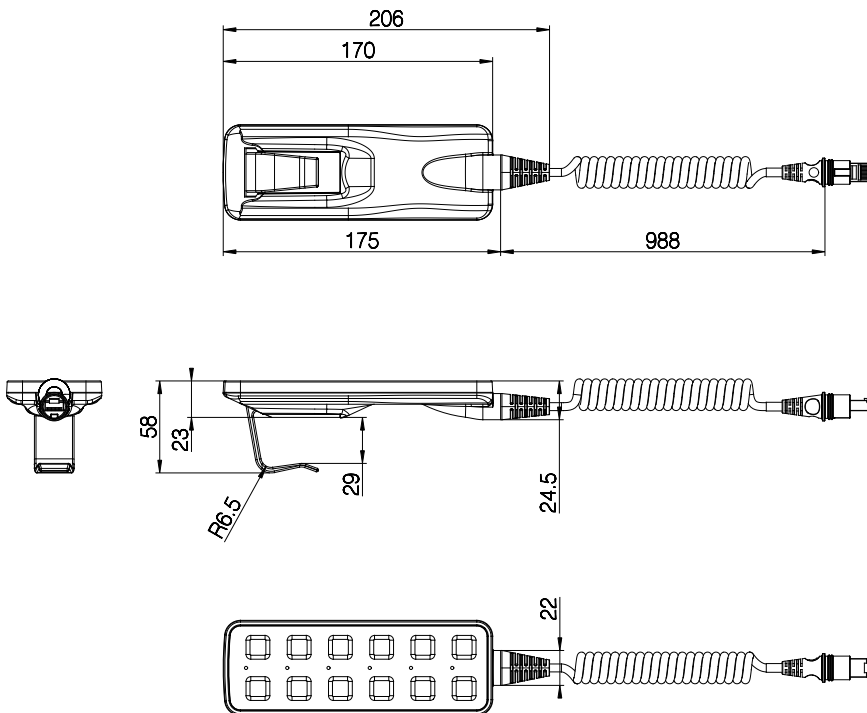


Dimension drawing

HB400 with hook type 0



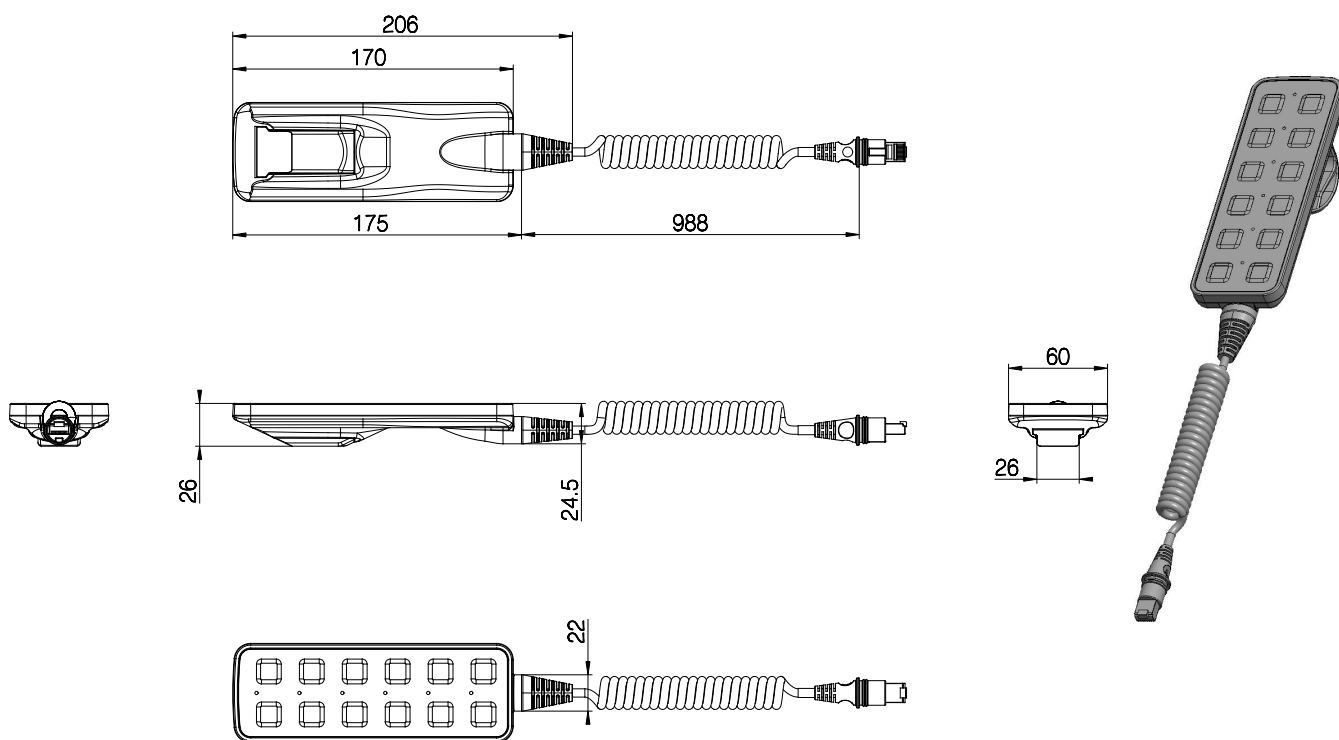
HB400 with hook type 2



Drawing no.: 1050W4000



HB400 with magnet blind



Drawing no.: 1050W4000

Magnet key - article no. 0858008



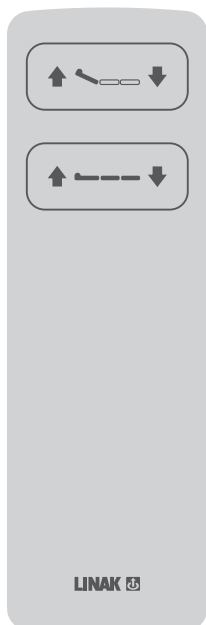
Front covers

The standard front covers below have been designed for HB400. Some of them are with transparent areas. These are intended for hand controls with backlight.

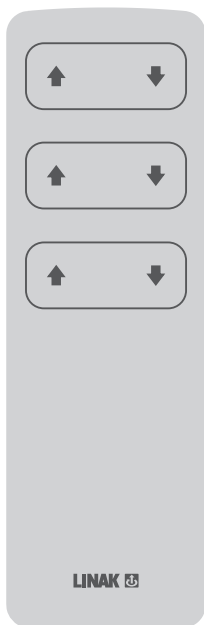
HB400 standard front covers

(not transparent, not for use with backlight)

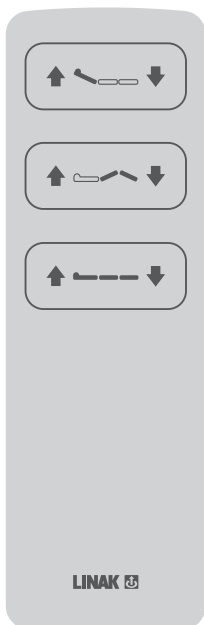
Not washable



00HB4002A6001



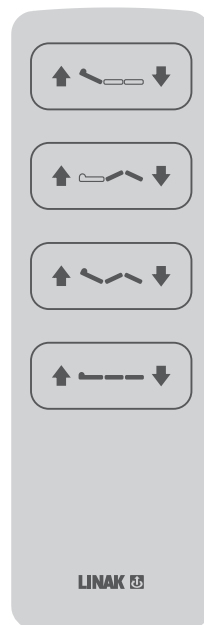
00HB4003A6001



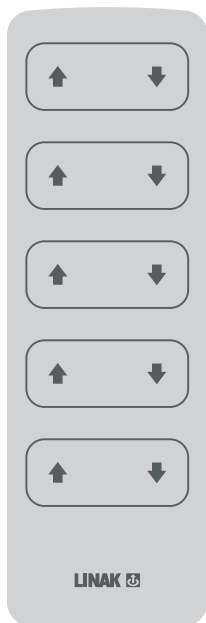
00HB4003A6002



00HB4004A6001



00HB4004A6002

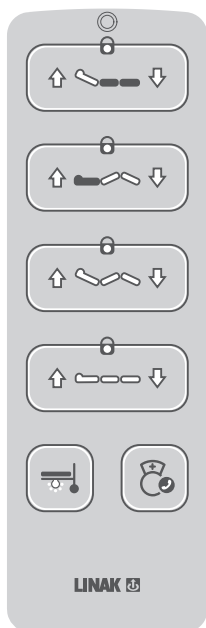


00HB4005A6001

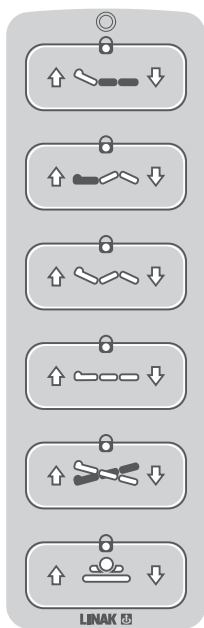
HB400 standard front covers

(transparent, intended for use with backlight)

Not washable



00HB4005B6002

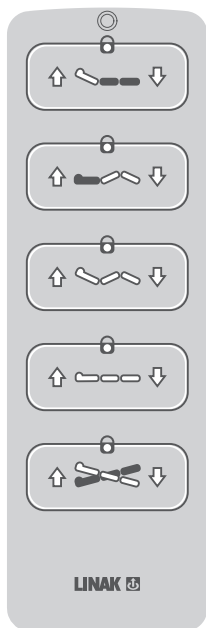


00HB4006B6001

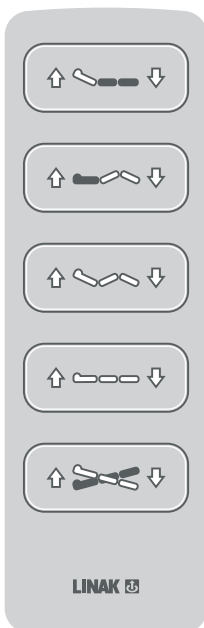


00HB4006B6002

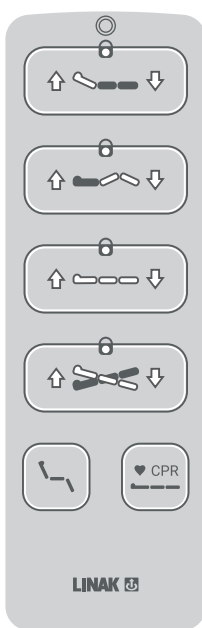
Washable



00HB4005BW001



00HB4005BW002



00HB4005BW003



Information

If a customer needs a template in order to make his own design, these are available on the front cover site on LINTRA, under General links, Templates.



Information

Attention should be given to ensure that the channels shown correspond to the channels on the chosen control box as well as to the symbols on the front cover.

For customised front covers, please contact LINAK A/S.



Contacts

FACTORIES

Denmark - Headquarters
 LINAK A/S
 Phone: +45 73 15 15 15
 Fax: +45 74 45 80 48
 Fax (Sales): +45 73 15 16 13
 Web: www.linak.com

China
 LINAK (Shenzhen) Actuator Systems, Ltd.
 Phone: +86 755 8610 6656
 Phone: +86 755 8610 6990
 Web: www.linak.cn

Slovakia
 LINAK Slovakia s.r.o.
 Phone: +421 51 7563 444
 Web: www.linak.sk

Thailand
 LINAK APAC Ltd.
 Phone: +66 33 265 400
 Web: www.linak.com

USA
 LINAK U.S. Inc.
 Americas Headquarters
 Phone: +1 502 253 5595
 Fax: +1 502 253 5596
 Web: www.linak-us.com
 www.linak-latinamerica.com

SUBSIDIARIES

Australia
 LINAK Australia Pty. Ltd
 Phone: +61 3 8796 9777
 Fax: +61 3 8796 9778
 E-mail: sales@linak.com.au
 Web: www.linak.com.au

Austria
 LINAK Zweigniederlassung - Österreich (Wien)
 Phone: +43 (1) 890 7446
 Fax: +43 (1) 890 744615
 E-mail: info@linak.de
 Web: www.linak.at - www.linak.hu

Belgium
 LINAK Actuator-Systems NV/SA
 (Belgium & Luxembourg)
 Phone: +32 (0)9 230 01 09
 E-mail: beinfo@linak.be
 Web: www.linak.be - www.fr.linak.be

Brazil
 LINAK Do Brasil Comércio De Atuadores Ltda.
 Phone: +55 (11) 2832 7070
 Fax: +55 (11) 2832 7060
 E-mail: info@linak.com.br
 Web: www.linak.com.br

Canada
 LINAK Canada Inc.
 Phone: +1 502 253 5595
 Fax: +1 416 255 7720
 E-mail: info@linak.ca
 Web: www.linak-us.com

Czech Republic
 LINAK C&S s.r.o.
 Phone: +42 058 174 1814
 Fax: +42 058 170 2452
 E-mail: info@linak.cz
 Web: www.linak.cz - www.linak.sk

Denmark - International
 LINAK International
 Phone: +45 73 15 15 15
 E-mail: info@linak.com
 Web: www.linak.com

Denmark - Sales
 LINAK Danmark A/S
 Phone: +45 86 80 36 11
 Fax: +45 86 82 90 51
 E-mail: linak@linak-silkeborg.dk
 Web: www.linak.dk

Finland
 LINAK OY
 Phone: +358 10 841 8700
 E-mail: linak@linak.fi
 Web: www.linak.fi

France
 LINAK France E.U.R.L
 Phone: +33 (0) 2 41 36 34 34
 Fax: +33 (0) 2 41 36 35 00
 E-mail: linak@linak.fr
 Web: www.linak.fr

Germany
 LINAK GmbH
 Phone: +49 6043 9655 0
 Fax: +49 6043 9655 60
 E-mail: info@linak.de
 Web: www.linak.de

India
 LINAK A/S India Liaison Office
 Phone: +91 120 4531797
 Fax: +91 120 4786428
 E-mail: info@linak.in
 Web: www.linak.in

Ireland
 LINAK UK Limited (Ireland)
 Phone: +44 (0)121 544 2211
 Fax: +44 (0)121 544 2552
 +44 (0)796 855 1606 (UK Mobile)
 +35 387 634 6554 (Rep.of Ireland Mobile)
 E-mail: sales@linak.co.uk
 Web: www.linak.co.uk

Italy
 LINAK ITALIA S.r.l.
 Phone: +39 02 48 46 33 66
 Fax: +39 02 48 46 82 52
 E-mail: info@linak.it
 Web: www.linak.it

Japan
 LINAK K.K.
 Phone: 81-45-533-0802
 Fax: 81-45-533-0803
 E-mail: linak@linak.jp
 Web: www.linak.jp

Malaysia
 LINAK Actuators Sdn. Bhd.
 Phone: +60 4 210 6500
 Fax: +60 4 226 8901
 E-mail: info@linak-asia.com
 Web: www.linak.my

Netherlands
 LINAK Actuator-Systems B.V.
 Phone: +31 76 5 42 44 40 /
 +31 76 200 11 10
 E-mail: info@linak.nl
 Web: www.linak.nl

New Zealand
 LINAK New Zealand Ltd
 Phone: +64 9580 2071
 Fax: +64 9580 2072
 E-mail: nzsales@linak.com.au
 Web: www.linak.com.au

Norway
 LINAK Norge AS
 Phone: +47 32 82 90 90
 E-mail: info@linak.no
 Web: www.linak.no

Poland
 LINAK Polska
 LINAK Danmark A/S (Spółka Akcyjna)
 Phone: +48 22 295 09 70 /
 +48 22 295 09 71
 E-mail: info@linak.pl
 Web: www.linak.pl

Republic of Korea
 LINAK Korea Ltd.
 Phone: +82 2 6231 1515
 Fax: +82 2 6231 1516
 E-mail: info@linak.kr
 Web: www.linak.kr

Slovakia
 LINAK Slovakia S.R.O.
 Phone: +421 51 7563 444
 Web: www.linak.sk

Spain
 LINAK Actuadores, S.L.U
 Phone: +34 93 588 27 77
 Fax: +34 93 588 27 85
 E-mail: esma@linak.es
 Web: www.linak.es

Sweden
 LINAK Scandinavia AB
 Phone: +46 8 732 20 00
 Fax: +46 8 732 20 50
 E-mail: info@linak.se
 Web: www.linak.se

Switzerland
 LINAK AG
 Phone: +41 43 388 31 88
 Fax: +41 43 388 31 87
 E-mail: info@linak.ch
 Web: www.linak.ch - www.fr.linak.ch
 www.it.linak.ch

Taiwan
 LINAK (Shenzhen) Actuator systems Ltd.
 Taiwan Representative office
 Phone: +886 2 272 90068
 Fax: +886 2 272 90096
 E-mail: sales@linak.com.tw
 Web: www.linak.com.tw

Turkey
 LINAK İth. İhr. San. ve Tic. A.Ş.
 Phone: +90 312 4726338
 Fax: +90 312 4726635
 E-mail: info@linak.com.tr
 Web: www.linak.com.tr

United Kingdom
 LINAK UK Limited
 Phone: +44 (0)121 544 2211
 Fax: +44 (0)121 544 2552
 E-mail: sales@linak.co.uk
 Web: www.linak.co.uk

DISTRIBUTORS

Argentina
 Novotec Argentina SRL
 Phone: 011-4303-8989 / 8900
 Fax: 011-4032-0184
 E-mail: info@novotecargentina.com
 Web: www.novotecargentina.com

Colombia
 MEM Ltda
 Phone: +[57] (1) 334-7666
 Fax: +[57] (1) 282-1684
 E-mail: servicioalcliente@memlda.com.co
 Web: www.mem.net.co

India
 Mechatronics Control Equipments India Pvt Ltd
 Phone: +91-44-28558484, 85
 E-mail: bala@mechatronicscontrol.com
 Web: www.mechatronicscontrol.com

Indonesia
 PT. Himalaya Everest Jaya
 Phone: +6 221 544 8956 /+6 221 544 8965
 Fax: +6 221 619 1925
 Fax (Sales): +6 221 619 4658
 E-mail: hejplastic-div@centrin.net.id
 Web: www.hej.co.id

Israel
 NetivTech LTD
 Phone: +972 55-2266-535
 Fax: +972 2-9900-560
 Email: info@NetivTech.com
 Web: www.netivtech.com

Singapore
 Servo Dynamics Pte Ltd
 Phone: +65 6844 0288
 Fax: +65 6844 0070
 E-mail: servodynamics@servo.com.sg

South Africa
 Industrial Specialised Applications CC
 Phone: +27 011 466 0346
 E-mail: gartht@isagroup.co.za
 Web: www.isaza.co.za

United Arab Emirates
 Mechatronics
 Phone: +971 4 267 4311
 Fax: +971 4 267 4312
 E-mail: mechtron@emirates.net.ae

Terms of use

LINAK® takes great care in providing accurate and up-to-date information on its products. However, the user is responsible for determining the suitability of LINAK products for a specific application. Due to continual development, LINAK products are subject to frequent modifications and changes. LINAK reserves the rights to conduct modifications, updates, and changes without any prior notice. For the same reason, LINAK cannot guarantee the correctness and actual status of imprinted information on its products.

LINAK uses its best efforts to fulfil orders. However, for the reasons mentioned above, LINAK cannot guarantee availability of any particular product at any given time. LINAK reserves the right to discontinue the sale of any product displayed on its website or listed in its catalogues or in other written material created and produced by LINAK, LINAK subsidiaries, or LINAK affiliates. All sales are subject to the 'Standard Terms of Sale and Delivery for LINAK A/S' available on LINAK websites. LINAK and the LINAK logotype are registered trademarks of LINAK A/S. All rights reserved.