

Baselift™ (BASE1)

User Manual



Contents

Preface	3
Important safety information	4
Informations importantes en matière de sécurité.....	5
The DESKLINE® system	6
Intended use	6
Warranty	6
Products	7
Description	8
Safety instructions.....	9
Important safety instructions.....	9
General	9
Before installation, re-installation, cleaning, or troubleshooting	10
Before start-up	10
During operation	10
Repairs	10
Declaration of Conformity.....	13
Manufacturer's declaration.....	15
Installation	16
Dismounting procedure	24
Repair and disposal	26
Servicing double-insulated products.....	26
Accessories and spare parts.....	26
Contacts.....	27

Preface

Dear User,

We are delighted that you have chosen a LINAK® product.

LINAK systems are high-tech products based on many years of experience in the manufacture and development of actuators, lifting columns, desk frames, electric control boxes, controls, batteries, accessories and chargers.

This User Manual does not address the end user. It is intended as a source of information for the equipment or system manufacturer only, and it will tell you how to install, use and maintain your LINAK electronics. The manufacturer of the end product has the responsibility to provide a User Manual, where relevant safety information from this manual is passed on to the end user.

We are convinced that your LINAK product/system will give you many years of problem-free operation.

Before our products leave the factory, they undergo both function and quality testing. Should you, nevertheless, experience problems with your product/system, you are always welcome to contact your supplier.

LINAK subsidiaries and some distributors situated all over the world have authorised service centres, which are always ready to help you. Locate your local contact information on the back page.

LINAK provides a warranty on all products, see [Warranty](#).

This warranty, however, is subject to correct use in accordance with the specifications, maintenance being done correctly, and any repairs being carried out at a service centre, which is authorised to repair LINAK products.

Changes in installation and use of LINAK systems can affect their operation and durability. The products may only be opened by authorised personnel.

This User Manual has been written based on the present technical knowledge. LINAK reserves the right to carry out technical modifications and keeps the associated information updated.

LINAK A/S

Important safety information

Safe use of the system is possible only when this document is read completely and the instructions contained are strictly observed.

Failure to comply with instructions marked with the "NOTICE" symbol may result in serious damage to the system or one of its components.

Read all instructions before using this product.

Important safety information on LINAK® products can be found under the following heading(s):



DANGER

Failure to comply with these instructions will result in severe personal injury.



WARNING

Failure to comply with these instructions may result in severe personal injury.



CAUTION

Failure to comply with these instructions can result in minor personal injury.



NOTICE

Failure to comply with these instructions can result in property damage.

READ AND SAVE THESE INSTRUCTIONS

Informations importantes en matière de sécurité

Une utilisation sûre du système n'est possible que lorsque ce document est lu dans son intégralité et que les instructions qu'il contient sont strictement respectées.

Le non-respect des instructions marquées du symbole "AVIS" peut entraîner de graves dommages au système ou à l'un de ses composants.

Lisez toutes les instructions avant d'utiliser ce produit.

Des informations de sécurité importantes sur les produits LINAK® sont disponibles dans la ou les rubriques suivantes :



DANGER

Le non-respect de ces instructions entraînera des blessures graves.



AVERTISSEMENT

Le non-respect de ces instructions peut entraîner des blessures graves.



ATTENTION

Le non-respect de ces instructions peut entraîner des blessures corporelles légères.



AVIS

Le non-respect de ces instructions peut entraîner des dommages matériels.

LIRE ET CONSERVER CES INSTRUCTIONS

The DESKLINE® system

This system is a DESKLINE system developed for kitchens

Intended use

The Baselift™ is intended for height adjustment (up/down drive) of kitchen applications in kitchens. The units must be mounted in the base below the kitchen cupboards. The Baselift™ must always be used in upright position (see [Installation](#)) and only in the application for which it is intended. The maximum load is stated on the product label.

Parameter	Operation	Storage and transportation
Temperature	10 to 40 °C	-10 to +50 °C
Relative humidity	20% to 80% - non-condensing	20% to 80% - non-condensing
Atmospheric pressure	800 to 1060 hPa	700 to 1060 hPa
Altitude	Max. 2000 m	N/A



Do not use outdoors or in wet areas.



Do not use it in environments that have to be cleaned with aggressive detergents.



The kitchen producers must always prepare a user manual for their kitchen applications in which a risk analysis of the entire kitchen is made and stated. This Baselift™ user manual cannot replace the kitchen producer's user manual..

Warranty

The warranty terms for DESKLINE products are described in this warranty paper:

<https://cdn.linak.com/-/media/files/warranty/warranty-paper-deskline-eng.pdf>

Products

Baselift™



Control Box CBD6S

200 W



- 230 V AC, 50 Hz
- 120 V AC, 60 Hz

300 W



- 100-240 V AC, 50-60 Hz (universal)

Controls

With up/down drive	<ul style="list-style-type: none"> • DPA • DPB • DPH 	<ul style="list-style-type: none"> • DP1K • DPF1K • DPG1K • DPI1K
Desk panels with display	<ul style="list-style-type: none"> • DPF1D 	
Desk panels with memory	<ul style="list-style-type: none"> • DPF1M 	<ul style="list-style-type: none"> • DPG1M • DPG1B
Desk panels with display and memory	<ul style="list-style-type: none"> • DP1CS • DPT 	<ul style="list-style-type: none"> • DPF1C • DPG1C • DPI1C

Description

A Baselift™ system consists of:

- Baselift™ units
- Control Box(es) CBD6S
- Desk panel (typically DPH or DPT)
- Various cables

Baselift™

The number of Baselift™ units used in an application depends on the size of the application. The Baselift™ is designed neither to be a stand-alone product nor to absorb the bending moment from the application. As a rule of thumb, 600 mm distance between two Baselift™ units is the maximum to get enough stability in all directions when using a 19 mm MDF board under the kitchen cupboards. The kitchen manufacturer must determine the exact distance between the Baselift™ units according to their board and cupboards specifications.

CBD6S

The number of the Control Boxes CBD6S used in an application depends on the number of Baselift™ units used. Each CBD6S 300 W can be connected to maximum four units and each CBD6S 200 W to maximum two units. If more Baselift™ units are needed, the system must be a multi-parallel system. Maximum four CBD6S (300 W and/or 200 W) with the same SW version and the same configuration can be connected using serial cables for connection between the control boxes.

Desk panels

All DESKLINE® desk panels can be used, but we recommend the DPH and the DPT, as these can be integrated in the tabletop.

Safety instructions

Important safety instructions

General



DANGER

Plugged-in products

Risk of electric shock

- Always unplug this product from the electrical outlet before assembling, disassembling, cleaning, or servicing.
- Only use the product indoors in dry locations.



WARNING

General precautions

Risk of burns, fire, electric shock, or injury to persons

- Unplug from outlet before putting on or taking off parts.
- It is important that everyone who is to connect, install, or use the systems has the necessary information and access to this User Manual. Follow the instructions for mounting - there is a risk of injury if these instructions are not followed.
- Close supervision is necessary when this product is used by or near children, invalids, or disabled persons.
- If there is visible damage to the product, do not install or use the product.
- Ensure that the cable and the plug are not damaged, and keep the cable away from heated surfaces.
- Use this product only for its intended use as described in this User Manual. Do not use attachments not recommended by the manufacturer.
- Never insert any object into any opening.
- During construction of applications in which the system is to be fitted, there must be no risk of personal injury, for example squeezing of fingers or arms.
- Do not open the product.



CAUTION

Objects above and below the application

Risk of personal injury and material damage

- Ensure free space above and below the application to avoid entrapment and blocking the movement in either direction.

Before installation, re-installation, cleaning, or troubleshooting

- Stop the system.
- Unplug the power cable.
- Relieve the system of any loads, which may be released during the work.
- Review the assembly instructions to confirm that the appropriate critical components and accessories are being used with this product.

Before start-up

- Make sure that the system has been installed as instructed in this User Manual.
- Make sure that the voltage of the system matches the mains voltage before connecting the system to the mains.
- Always use the supplied power cable.

During operation

- If the system makes unusual noise or smells, unplug the mains cable immediately.
- Observe the maximum load
- Take care that the cables are not damaged.



CAUTION

Load on the application

Risk of injury to persons and of malfunction

- Do not overload the application.



NOTICE

Duty cycle

Risk of malfunction

- Do not exceed the duty cycle.

Repairs



WARNING

Opening the product

Risk of injury to persons

- Do not open the DESKLINE® product.

In order to avoid the risk of malfunction, all DESKLINE® repairs must only be carried out by authorised LINAK workshops or repairers, as special tools must be used and special gaskets must be fitted. Lifting units under warranty must also be returned to authorised LINAK workshops.



WARNING

- This appliance can be used by children aged from 8 years, and by persons with reduced physical, sensory or mental capabilities, or lack of experience and knowledge, if they have been given supervision or instruction concerning use of the appliance in a safe way and understand the hazards involved.
- Children shall not play with the appliance. Cleaning and user maintenance shall not be made by children without supervision.

Only for US and Canadian markets

- Persons who do not have the necessary experience or knowledge of the product/products must not use the product/products. Besides, persons with reduced physical, sensory, or mental abilities must not use the product/products, unless they are under surveillance or they have been thoroughly instructed in the use of the apparatus by a person who is responsible for the safety of these persons.
- Moreover, children must be under surveillance to ensure that they do not play with the product.
- It is the operator's responsibility to ensure that there is free space for the application to move without risk for the operator or bystanders before operating the application.



AVERTISSEMENT

- Cet appareil peut-être utilisé par des enfants âgés de 8 ans et plus, ainsi que les personnes dont les capacités physiques, sensorielles ou mentales sont réduites ou ayant un manque d'expérience et de connaissance si elles ont bénéficié d'une surveillance ou d'instructions concernant l'utilisation de l'appareil en toute sécurité et compris les risques encourus.
- Les enfants ne doivent pas jouer avec l'appareil. Le nettoyage et l'entretien ne doivent pas être réalisés par des enfants sans surveillance

Seulement pour les marchés américains et canadiens

- Les personnes qui n'ont pas l'expérience ou les connaissances nécessaires sur le ou les produit(s) ne doivent pas le ou les utiliser. Par ailleurs, les personnes ayant des capacités physiques, sensorielles ou mentales réduites ne doivent pas utiliser le ou les produit(s), sauf si elles sont sous surveillance ou ont suivi une formation approfondie de l'utilisation de l'appareil par l'individu responsable de la sécurité de ces personnes.
- De plus, les enfants doivent-être sous surveillance afin de s'assurer qu'ils ne jouent pas avec le produit.
- Il est de la responsabilité de l'opérateur de s'assurer qu'il y a de l'espace libre pour que l'application puisse se déplacer sans risque pour l'opérateur ou les passants avant d'utiliser l'application.



ATTENTION

Charge sur le bureau

Risque de dommages corporels et de dysfonctionnement

- Ne pas surcharger le cadre.

Declaration of Conformity

LINAK A/S
Smedevænget 8
DK - 6430 Nordborg

hereby declares under our sole responsibility that LINAK DESKLINE® Actuator System, model: **CBD6S**, for use in elevation tables, composed of:

Control Box(s) CBD6Sa000b0A-c09,
(Where -a: can be P, C or H, -b: can be 2, 3 or 4 and -c: can be 0 or 7)

together with an optional combination of:

Linear Actuator(s) **LA31:** 31abcH-defff50S, (Where -a: can be 1, 3, 6 or 7; - b can be from 1 to 8, or A or B; - c can be from 0 to 4; - d can be 0 or 1; - e can be 0 or 1; - fff can be max 500)

Built in actuator(s) **DB5, DB6, DB14:** DBabbccdefghhhiii, (Where: - a: can be 5, 6 or 14,; - b: can be 0, 1, 3, 4 or 9; - c: can be 0, 1, B, L or S; - d: can be 0, 1 or 2; - e: can be 0, A, B or X; - f: can be 0, or A; - g: can be from 0, M, S, E, T or V; - hhh: can be from 000 to 675; - iii: can be from 000 to 630);

Lifting Column(s) **Standard columns:** DLabcdeffghhhiii, (Where: - a: can be 1A, 4S, 5, 6, from 8 to 12, from 14 to 21; - b: can be 0,1, 2, 3, 4 or 5; - c: can be 0, A, B, D, W or x; - d: can be 0, 1, L, R or X; - e: can be A, B, D or X; - f: can be 0, N, M, P or x; - g: can be 0, E, T or V; - hhh: can be from 600 to 1100; - iii: can be from 000 to 785);

DL12: DL12abcdeffggghhh (where - a can be A or B; - b can be 0 or E; -c can be 0, L, R or X; - d can be A, B, D or X; - e can be 0 or M; - f can be 0 or E; - ggg can be max 1100; - hhh can be max 785)

DL7: DL73a0b00470645 (where - a can be 0 or R; - b can be A, B, C or D)

DL2: DL2abCcdeffggg (where - a can be 3, 6 or 7; - b can be from 0 to 3; - c can be A or B; - d can be 0, F or G; -e can be from 0 to 7; -fff can be from 300 to 500; -ggg can be from 445 to 655)

DF2L: DF2La0000bcP0dddeeee (Where -a: can be 05, 06, 18, 19; -b can be 0, V, H; -c can be A, B, D; -ddd can be from 500 to 665; eee can be from 475 to 602)

BASELIFT: BASE1000A0F100100

LC1: LC1aaaxxbbbb0cd0eee0Gf4+g (where -a can be 060 or 100; -xxx can be 200 to 665; -bbbb can be numbers or letters; -c can be 0, H or M; -d can be A, B or C; -eee can be from 275 to 560; -f can be 0, 1 or 2; and -g can be A or E.

EXPERIENCE™ columns: DLaabccdeffghijklmnopppqq, (Where: - aa: can be 05, 06,10,11,18,19, 20, 21; - b: can be F; - cc: can be 30; - d: can be 0; - e: can be 0; - ffff: can be any number or letter; - g: can be 0 or X; - h: can be 0 or X; - i: can be P; - j: can be 0; -k: can be 0 or 1; -l: can be 0 or Z; -m: can be 0; -n: can be 0; -o: can be 0 or E; -pppp: can be from 0278 to 1100; and -qqq: can be from 200 to 785.

DL14T: DL14T00X0E500630, where X can be B or D.

Desk Panel(s) DPA, DPB, DPH, DPF1K, DPF1M, DPF2K, DPF3K, DPF1C, DPF1D, DPF1U, DPF1W, DPF4T, DPG1K, DPG1M, DPG1B, DPG1C, DPT, DP1V01, DP1CS, DP1K, DP1U, DP2K, DP3K, DPN, DPWA, DPI-K, DPI-C

Accessories BLE2LIN (BLE2LIN002, BLE2LIN003), DESK SENSOR 1, USB2LIN, DCCconnector, CHUSB, BA001, BP10BL

Complies with EMC Directive: **2014/30/EU** (*OJ L 96, 29.3.2014, p. 79–106*) according to following standards:
EN 61000-6-2:2005/AC:2005, EN 61000-6-3:2007/A1:2011/AC:2012
(and subsequent EN 61000-3-2:2014 and EN 61000-3-3:2013)

Complies with Low Voltage Directive **2014/35/EU** (*OJ L 96, 29.3.2014, p. 357–374*) according to the standard:
EN 60335-1:2012+AC:2014+A11:2014+A13:2017+A1:2019+A14:2019+A2:2019+A15:2021+A16:2023
EN 62233:2008 + AC:2008

Complies with Directive **2011/65/EU** of the European Parliament and of the Council of 8 June 2011 on the restriction of the use of certain hazardous substances in electrical and electronic equipment (*OJ L 174, 1.7.2011, p. 88–110*) and Directive **2015/863** (*OJ L 137, 4.6.2015, p. 10–12*) (amending Annex II to Directive 2011/65/EU) according to the standard:
EN IEC 63000:2018

Additionally, BA001 complies with Battery Regulation (EU) 2023/1542 Article 6.
And the applicable Desk Panels and Accessories complies with the Radio Equipment Directive **2014/53/EU** (*OJ L 153, 22.5.2014, p. 62–106*) according to the standards listed in the RED DoC for the individual radio products.

Where this product or system includes or is supplied with batteries, those batteries comply with the requirements of Regulation (EU) 2023/1542.

Other specification:

The system does also comply with the standard: EN 61000-6-2:2019 and EN 13849-1:2015 SRP/CS Cat. B, PL = b and SRESW PL = b, Note 1: Exempted CBD6S with SW03003007 printed on the label.

Nordborg, 2026-02-17

LINAK A/S

Dragan Macura

Regulatory Compliance Manager

Deskline and Homeline Segments

Authorized to compile the relevant technical documentation

Original Declaration 

Manufacturer's declaration

DECLARATION OF INCORPORATION OF PARTLY COMPLETED MACHINERY

LINAK A/S
Smedevænget 8
DK - 6430 Nordborg

Herewith declares that LINAK DESKLINE® products as characterized by the following models and types:

Control Boxes: CBD6Sa000b0A-c09 (Where -a: can be P, C or H, -b: can be 2, 3 or 4 and -c: can be 0 or 7)

Linear Actuators: LA31

Built in actuator(s): DB5, DB6, DB14,

Lifting Columns: DL1A, DL4S, DL2, DL5, DL6, DL7, DL8, DL9, DL10, DL11, DL12, DL14, DL15, DL16, DL17, DL18, DL19, DL20, DL21, LC1

Desk Panels: DPA, DPB, DPH, DPF1K, DPF1M, DPF2K, DPF3K, DPF1C, DPF1D, DPF1U, DPF1W, DPF4T, DPG1K, DPG1M, DPG1B, DPG1C, DPT, DP1V01, DP1CS, DP1K, DP1U, DP2K, DP3K, DPN, DPWA, DPI-K, DPI-C

Accessories: BLE2LIN002, BLE2LIN003, DESK SENSOR 1, USB2LIN, DCConnector, BA001

complies with the following parts of the Machinery Directive 2006/42/EC, ANNEX I, *Essential health and safety requirements relating to the design and construction of machinery*:

- 1.1.2 a) Special use*
- 1.1.2 b) Selection of the most appropriate methods*
- 1.1.2 c) Foreseeable misuse*
- 1.1.2 d) Operator constraints due to the use of personal protective equipment*

1.1.3 Materials and products*

- 1.2.1 Safety and reliability of control systems
- 1.2.2 Control devices. Shape, readability, overview*
- 1.2.3 Starting*
- 1.2.4 Stopping*

- 1.5.1 Electricity supply
- 1.5.10 Radiation. EMC. Emission of electromagnetic radiation, X-rays, γ -rays*
- 1.5.11 External radiation*

*need to be further evaluated in the end product

We confirm that prior to market introduction the relevant technical documentation is compiled in accordance with part B of Annex VII and the assembly instruction pursuant to Annex VI.

This documentation or part hereof will be transmitted by post or electronically to a reasoned request by the national authorities.

The products mentioned in this document are to be combined for use in height adjustable furniture.

This partly completed machinery must not be put into service until the final machinery into which it is to be incorporated has been declared in conformity with the provisions of the Machinery Directive 2006/42/EC where appropriate.

Nordborg, 2024-02-21

LINAK A/S
Dragan Macura
Regulatory Compliance Manager
Deskline and Homeline Segments
Authorized to compile the relevant technical documentation

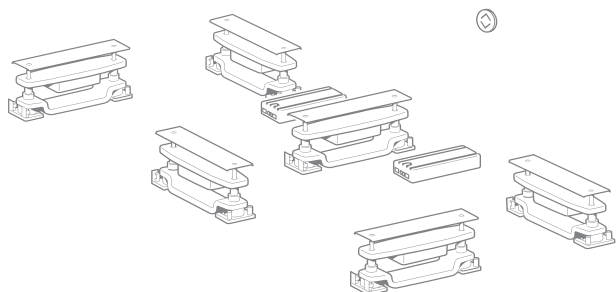
Original Declaration

Installation

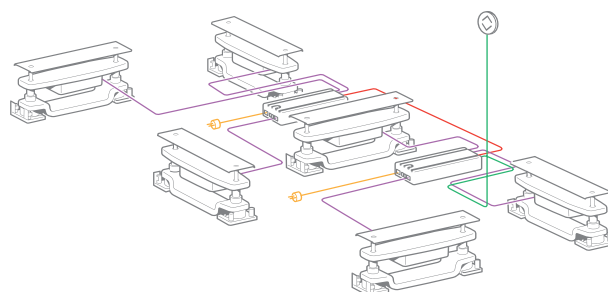
Mounting guidelines for the Baselift™ system (example):

A typical kitchen island of approx. 1 x 2 m requires six Baselift™ units to have the needed lifting capacity and to gain enough stability in the application. The units must be placed/positioned as shown below for maximum stability.

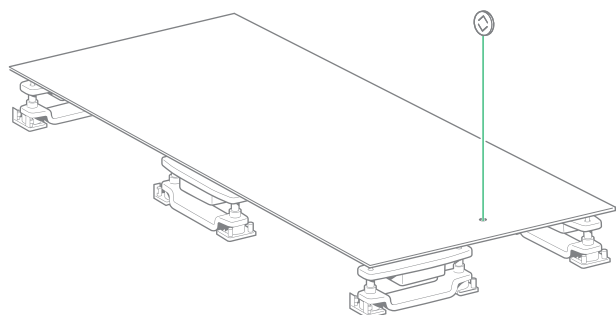
Installation overview



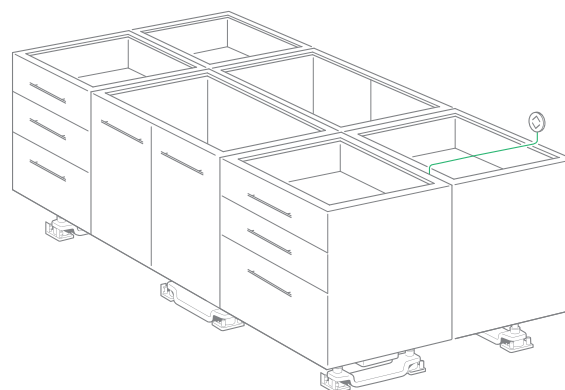
1. Place the Baselift™ units and the control box(es) on the floor.



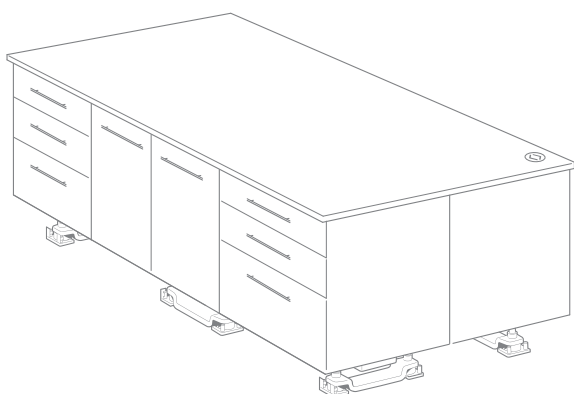
2. Connect all cables and initialise the system.



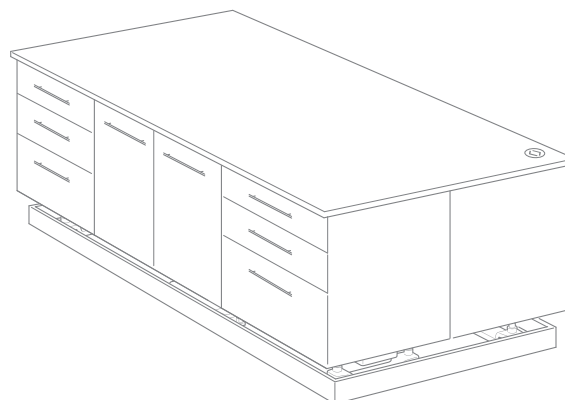
3. Place the plate on top of the Baselift™ units.



4. Mount the cupboards on the plate.



5. Mount the kitchen plate and connect the desk panel



6. Before use, mount the two parts for the base cover

Mounting procedure

The important thing to consider when mounting the Baselift™ system is that the Baselift™ units are even in height so they all carry the load of the kitchen. This can be done in several ways. The guideline/procedure described below is one suggestion.

1. Before mounting
 - 1.1. Please read the LINAK Baselift™ user manual carefully before mounting the system.
 - 1.2. Make sure the floor is clean before you start mounting.
 - 1.3. For optimal stability of your electric height-adjustable kitchen, it is very important that you place the Baselift™ units correctly.
2. Mark the floor
 - 2.1. First, you should measure and mark where to place the kitchen and the six Baselift™ units.
 - 2.2. Precise measurements are very important.
3. Connect the system
 - 3.1. Place the two Control Boxes CBD6S with the cable grooves facing upwards.
 - 3.2. Place the control boxes close to the front of the kitchen for easy access in case of service.
 - 3.3. To achieve the correct performance, divide the Baselift™ units equally between the control boxes.
 - 3.4. Plug the motor cables into the control boxes. It is important that you start with channel 1, then channel 2 and so forth.
 - 3.5. Connect the two control boxes with a serial cable for parallel drive.
 - 3.6. Then plug the desk panel into one of the two CBD6S.
 - 3.7. Finally, connect to mains.
We recommend you use the cable relief for less strain on the mains cable.
4. Initialise the system before mounting the Baselift™ units
 - 4.1. Initialise the Baselift™ system.
Press the “down” key on the desk panel once.
Within 10 seconds, press the “down” key again and hold until the Baselift™ units stop completely.

The system has now been initialised.
5. Mount the Baselift™ units

Correct mounting has two purposes:

 - i. The kitchen cannot tilt.
 - ii. Vibrations or similar cannot move the Baselift™ units and cause twisting of the kitchen.
 - 5.1. Drive the Baselift™ units to their full stroke to get easy access.
 - 5.2. Make sure all Baselift™ units are even in height. If adjustment is needed, adjust the Baselift™ units manually, by turning the adjustable foot (max. 15 mm).
 - 5.3. Mount the Baselift™ units to the floor using the mounting brackets.
 - 5.3.1. On a wooden floor, you can mount the Baselift™ units by attaching the brackets to the floor with screws.
 - 5.3.2. If you have floor heating or for other reasons want to avoid drilling holes in the floor, you can use a suitable glue rather than screws when mounting the Baselift™ units. If you have floor heating, you must observe this when mounting to avoid damages.
 - 5.4. Place the plate on top of the Baselift™ units. Make sure that no cables are stuck between the Baselift™ units and the plate and that the plate is placed in centre. The plate thickness is typically 16 to 30 mm depending on the material.
 - 5.5. Mount the Baselift™ units with screws.
 - 5.6. For easy access, mount the control boxes close to the front edge.

5.7. Fix cables with self-adhesive cable ties.



All cables must be fixed to the plate to avoid squeezing them during movement.

5.8. Drive the Baselift™ units to their lowest position.

6. Mount the kitchen cabinets and the desk panel in the kitchen tabletop

6.1. Mount the kitchen cabinets.

6.2. Mount the desk panel in the hole in the tabletop.

6.3. Mount the tabletop.

6.4. Test to see if the kitchen functions.

7. Mount the base cover



7.1. The base cover must be mounted prior to use to avoid collision situations and squeezing.

7.2. Pin the clips on the brackets.



7.3. Remove the protective film from the clips and mount the bottom base. For better fixing, you can choose to mount the clips with screws. Ensure that the base cover is mounted to sustain a constant load of the system.

7.4. It is important to keep a bit of space between the top base and the bottom base to avoid scratches when the kitchen is driven up and down. The space can be created by adding felt pads on the back of the top base.

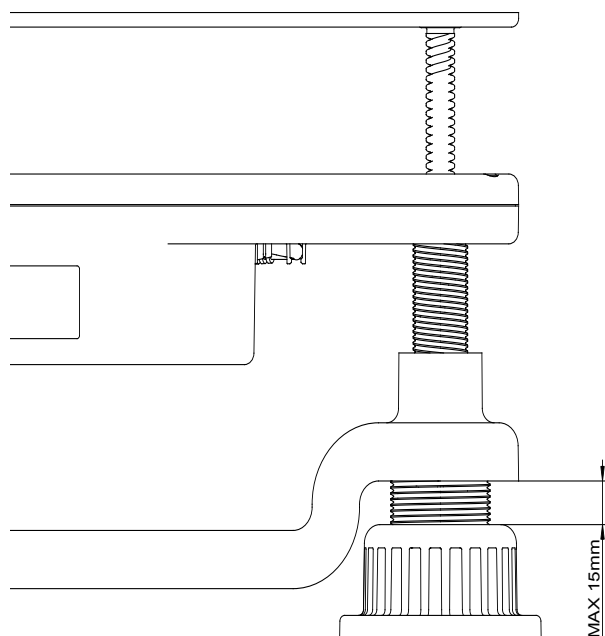
7.5. To calculate where to fix the top base, you need to take two measurements.
First, you measure from the edge to the top base.
Then add half the width of the base.

8. Make sure that no tools or other equipment has been left under the base.

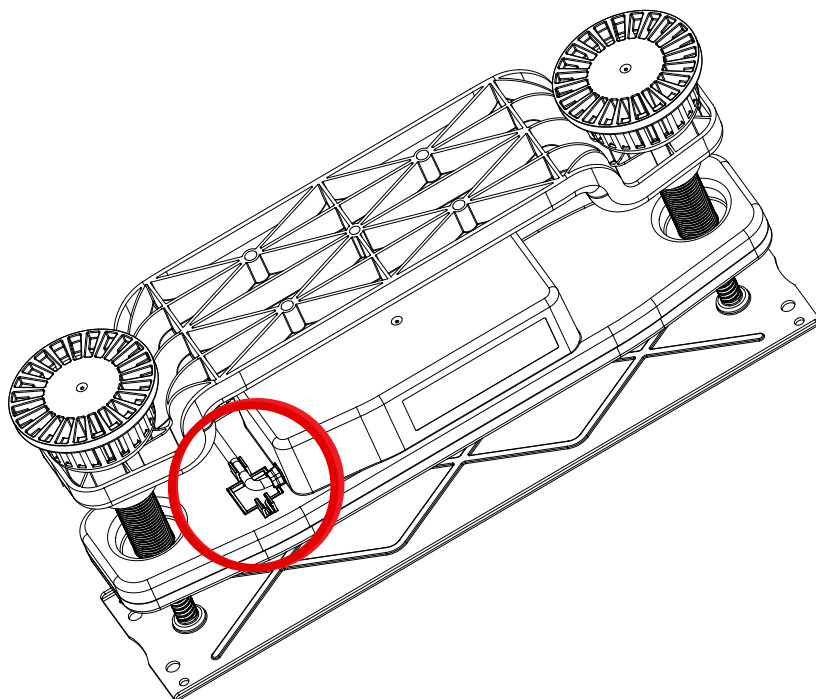
9. Test the function of the kitchen (full stroke in and out) to ensure everything works correctly.

You can find the mounting instruction video via this [link](#).

Below please find mounting instructions to observe



Maximum foot adjustment: 15 mm



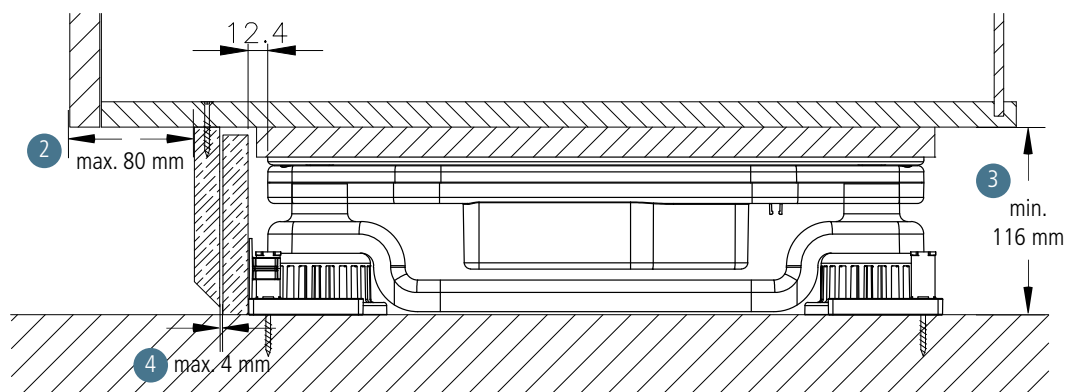
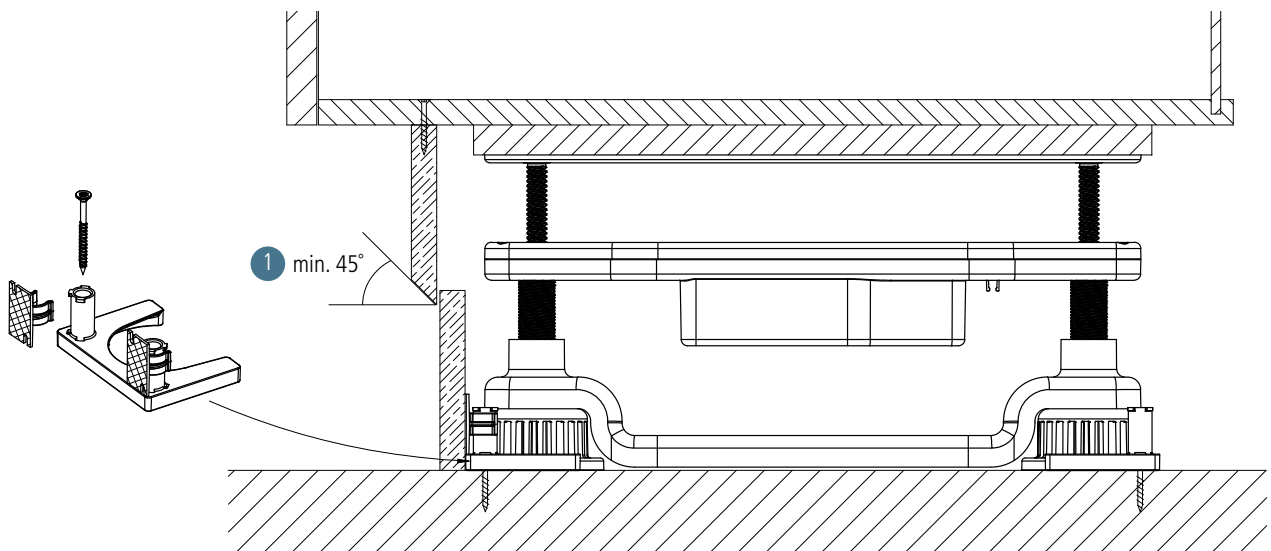
Fix the Baselift™ cable in the strain relief in the Baselift™ housing



Mount the mounting bracket on the Baselift™.

The clips can be mounted on the bracket and help fix the base cover:

1. The bottom of the outer base cover must be cut in an angle of min. 45°.
2. The distance between the front edge of the cupboard and the front edge of the base cover must not exceed 80 mm.
3. The height from the floor to the underside of the cupboard must be min. 116 mm.
4. The distance between the outer and inner base cover must not exceed 4 mm.



Mounting examples

Below sketches show examples of how to mount the Baselift™ system on a plate. The distances mentioned on the sketches are guidelines. As a rule of thumb, the distance between two Baselift™ units must never be more than 600 mm.



Please observe that the Baselift™ is not designed to absorb any bending moment. Thus, it is important that the number of Baselift™ units is suitable for the size of the application.

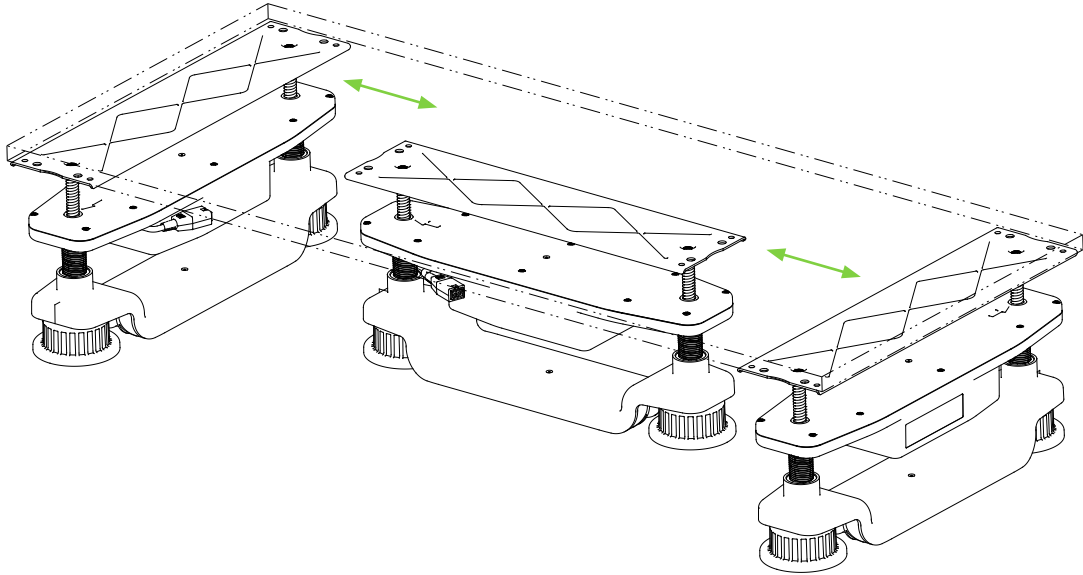


Figure 1 The arrows show where the maximum distance is 600 mm.

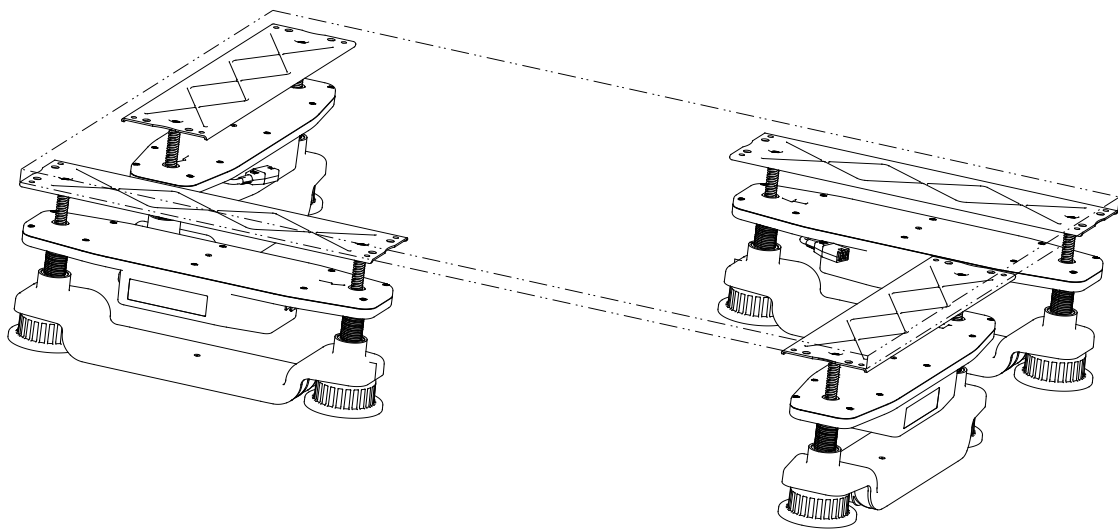


Figure 2 Example of how to mount a Baselift™ system with 4 units

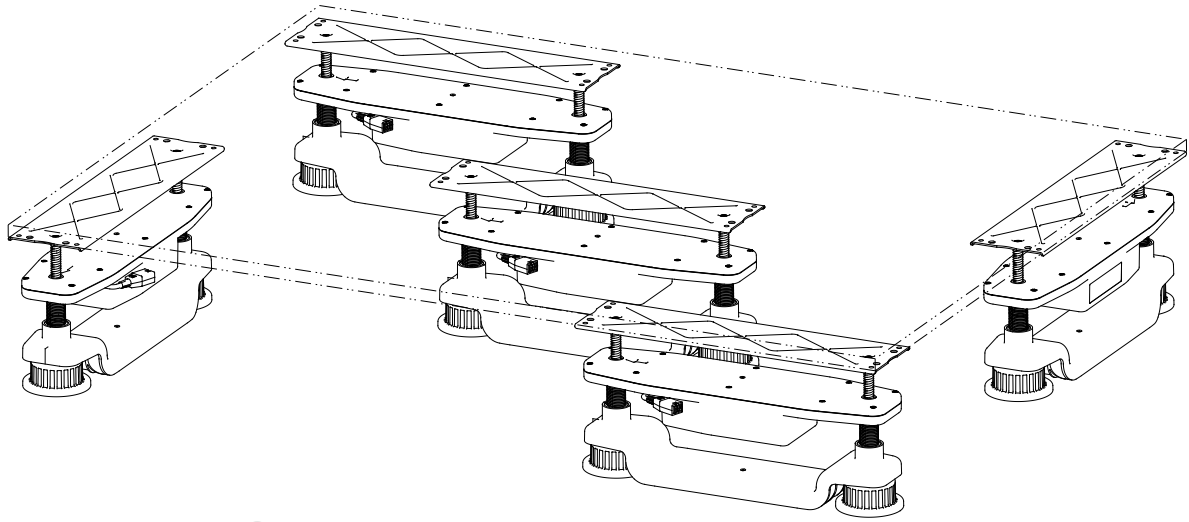


Figure 3 Example of how to mount a Baselift™ system with 5 units.

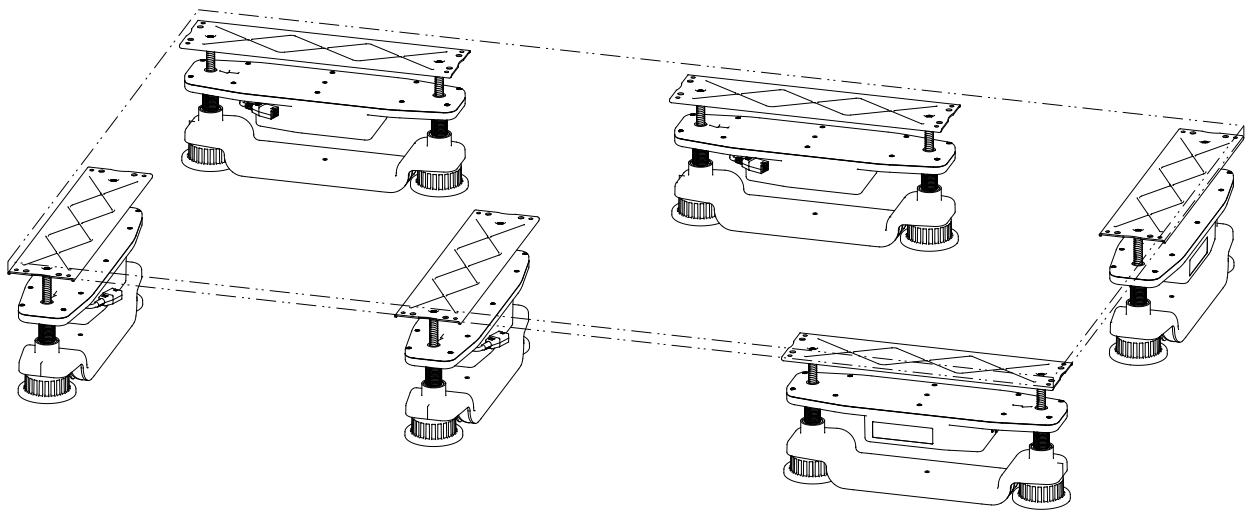
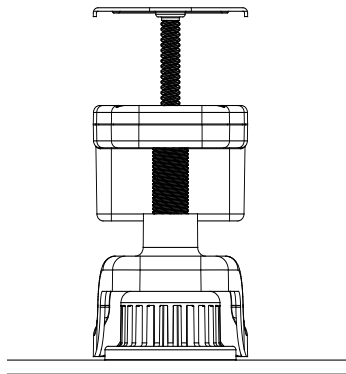


Figure 4 Example of how to mount a Baselift™ system with 6 units.

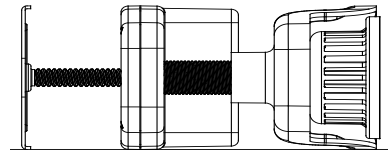
Things to observe

Orientation

Always mount the Baselift™ standing, never on the side.



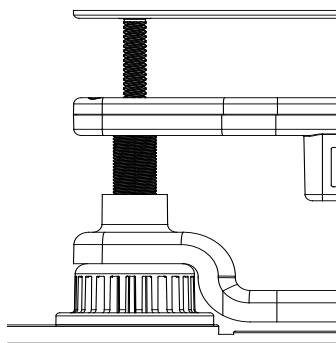
Correct mounting ✓



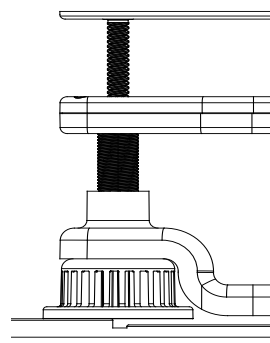
Wrong mounting ✗

Uneven floor

If the floor is uneven, it is very important that the adjustable feet are placed on an even surface, and that the bottom part of the Baselift™ does not touch the floor. Only the adjustable feet may come into contact with the floor, and there must be free space underneath the Baselift™.



Correct mounting ✓



Wrong mounting ✗

Sound level

The sound level of the Baselift™ system depends on how the Baselift™ units are mounted. The flooring type influences how the sound is spread and the sound will also change when the Baselift™ units and the cupboards are mounted on the plate.



Be aware that the Baselift™ system may only be used in push applications.



The base cover must be mounted prior to use to avoid collision situations and squeezing

Repair and disposal



WARNING

Opening the product

Risk of injury to persons and of malfunction

- Do not open the product unless you are authorised to do so.

Only an authorised LINAK® service centre should repair the LINAK products. Products to be repaired under warranty must be sent to an authorised LINAK service centre.

In order to avoid the risk of malfunction, all product repairs must only be carried out by an authorised LINAK Service shop or repairers, as special tools and parts must be used.


If a product is opened by unauthorised personnel there is a risk that it may malfunction at a later date.

LINAK systems or components may be disposed of, possibly by dividing them into different waste groups for recycling or combustion.

We recommend that our product is disassembled as much as possible at the disposal and that you try to recycle it. LINAK systems or components should be disposed of in accordance with the environmental regulations applicable in the respective country.

Almost all our cast plastic parts are supplied with an interior code for plastic type and fibre contents, if any.

Servicing double-insulated products

In a double-insulated product, two systems of insulation are provided instead of grounding. No grounding means is provided on a double-insulated product, nor is means for grounding to be added to the product. Servicing a double-insulated product requires extreme care and knowledge of the system, and is to be done only by qualified service personnel. Replacement parts for a double-insulated product must be identical to the parts they replace. A double-insulated product is marked with the words "Double insulation" or "Double insulated." The symbol  (square within a square) can also be marked on the product.

Updated manuals and declarations can always be found at:
<https://www.linak.com/user-manuals/desklined/>.

Accessories and spare parts

Accessories

Order from your nearest LINAK® sales office, distributor or subsidiary.

Spare parts

Please contact your nearest LINAK sales office for information on spare parts.

Contacts

FACTORIES

Denmark - Headquarters
LINAK A/S
Phone: +45 73 15 15 15
Fax: +45 74 45 80 48
Fax (Sales): +45 73 15 16 13
Web: www.linak.com

China
LINAK (Shenzhen) Actuator Systems, Ltd.
Phone: +86 755 8610 6656
Phone: +86 755 8610 6990
Web: www.linak.cn

Slovakia
LINAK Slovakia s.r.o.
Phone: +421 51 7563 444
Web: www.linak.sk

Thailand
LINAK APAC Ltd.
Phone: +66 33 265 400
Web: www.linak.com

USA
LINAK U.S. Inc.
Americas Headquarters
Phone: +1 502 253 5595
Fax: +1 502 253 5596
Web: www.linak-us.com
www.linak-latinamerica.com

SUBSIDIARIES

Australia
LINAK Australia Pty. Ltd
Phone: +61 3 8796 9777
Fax: +61 3 8796 9778
E-mail: sales@linak.com.au
Web: www.linak.com.au

Austria
LINAK Zweigniederlassung - Österreich (Wien)
Phone: +43 (1) 890 7446
Fax: +43 (1) 890 744615
E-mail: info@linak.de
Web: www.linak.at - www.linak.hu

Belgium
LINAK Actuator-Systems NV/SA
(Belgium & Luxembourg)
Phone: +32 (0)9 230 01 09
E-mail: beinfo@linak.be
Web: www.linak.be - www.fr.linak.be

Brazil
LINAK Do Brasil Comércio De Atuadores Ltda.
Phone: +55 (11) 2832 7070
Fax: +55 (11) 2832 7060
E-mail: info@linak.com.br
Web: www.linak.com.br

Canada
LINAK Canada Inc.
Phone: +1 502 253 5595
Fax: +1 416 255 7720
E-mail: info@linak.ca
Web: www.linak-us.com

Czech Republic
LINAK C&S s.r.o.
Phone: +42 058 174 1814
Fax: +42 058 170 2452
E-mail: info@linak.cz
Web: www.linak.cz - www.linak.sk

Denmark - International
LINAK International
Phone: +45 73 15 15 15
E-mail: info@linak.com
Web: www.linak.com

Denmark - Sales
LINAK Danmark A/S
Phone: +45 86 80 36 11
Fax: +45 86 82 90 51
E-mail: linak@linak-silkeborg.dk
Web: www.linak.dk

Finland
LINAK OY
Phone: +358 10 841 8700
E-mail: linak@linak.fi
Web: www.linak.fi

France
LINAK France E.U.R.L.
Phone: +33 (0) 2 41 36 34 34
Fax: +33 (0) 2 41 36 35 00
E-mail: linak@linak.fr
Web: www.linak.fr

Germany
LINAK GmbH
Phone: +49 6043 9655 0
Fax: +49 6043 9655 60
E-mail: info@linak.de
Web: www.linak.de

India
LINAK A/S India Liaison Office
Phone: +91 120 4531797
Fax: +91 120 4786428
E-mail: info@linak.in
Web: www.linak.in

Ireland
LINAK UK Limited (Ireland)
Phone: +44 (0)121 544 2211
Fax: +44 (0)121 544 2552
+44 (0)796 855 1606 (UK Mobile)
+35 387 634 6554 (Rep.of Ireland Mobile)
E-mail: sales@linak.co.uk
Web: www.linak.co.uk

Italy
LINAK ITALIA S.r.l.
Phone: +39 02 48 46 33 66
Fax: +39 02 48 46 82 52
E-mail: info@linak.it
Web: www.linak.it

Japan
LINAK K.K.
Phone: 81-45-533-0802
Fax: 81-45-533-0803
E-mail: linak@linak.jp
Web: www.linak.jp

Malaysia
LINAK Actuators Sdn. Bhd.
Phone: +60 4 210 6500
Fax: +60 4 226 8901
E-mail: info@linak-asia.com
Web: www.linak.my

Netherlands
LINAK Actuator-Systems B.V.
Phone: +31 76 5 42 44 40 /
+31 76 200 11 10
E-mail: info@linak.nl
Web: www.linak.nl

New Zealand
LINAK New Zealand Ltd
Phone: +64 9580 2071
Fax: +64 9580 2072
E-mail: nzsales@linak.com.au
Web: www.linak.com.au

Norway
LINAK Norge AS
Phone: +47 32 82 90 90
E-mail: info@linak.no
Web: www.linak.no

Poland
LINAK Polska
LINAK Danmark A/S (Spółka Akcyjna)
Phone: +48 22 295 09 70 /
+48 22 295 09 71
E-mail: info@linak.pl
Web: www.linak.pl

Republic of Korea
LINAK Korea Ltd.
Phone: +82 2 6231 1515
Fax: +82 2 6231 1516
E-mail: info@linak.kr
Web: www.linak.kr

Slovakia
LINAK Slovakia S.R.O.
Phone: +421 51 7563 444
Web: www.linak.sk

Spain
LINAK Actuadores, S.L.u
Phone: +34 93 588 27 77
Fax: +34 93 588 27 85
E-mail: esma@linak.es
Web: www.linak.es

Sweden
LINAK Scandinavia AB
Phone: +46 8 732 20 00
Fax: +46 8 732 20 50
E-mail: info@linak.se
Web: www.linak.se

Switzerland
LINAK AG
Phone: +41 43 388 31 88
E-mail: info@linak.ch
Web: www.linak.ch - www.fr.linak.ch
www.it.linak.ch

Taiwan
LINAK (Shenzhen) Actuator systems Ltd.
Taiwan Representative office
Phone: +886 2 272 90068
Fax: +886 2 272 90096
E-mail: sales@linak.com.tw
Web: www.linak.com.tw

Turkey
LINAK İth. San. ve Tic. A.Ş.
Phone: +90 312 4726338
Fax: +90 312 4726635
E-mail: info@linak.com.tr
Web: www.linak.com.tr

United Kingdom
LINAK UK Limited
Phone: +44 (0)121 544 2211
Fax: +44 (0)121 544 2552
E-mail: sales@linak.co.uk
Web: www.linak.co.uk

DISTRIBUTORS

Argentina
Novotec Argentina SRL
Phone: 011-4303-8989 / 8900
Fax: 011-4032-0184
E-mail: info@novotecargentina.com
Web: www.novotecargentina.com

Colombia
MEM Ltda
Phone: +[57] (1) 334-7666
Fax: +[57] (1) 282-1684
E-mail: servicioalcliente@memltda.com.co
Web: www.mem.net.co

India
Mechatronics Control Equipments India Pvt Ltd
Phone: +91-44-28558484, 85
E-mail: bala@mechatronicscontrol.com
Web: www.mechatronicscontrol.com

Indonesia
PT. Himalaya Everest Jaya
Phone: +6 221 544 8956 /+6 221 544 8965
Fax: +6 221 619 1925
Fax (Sales): +6 221 619 4658
E-mail: hejplastic-div@centrin.net.id
Web: www.hej.co.id

Israel
NetivTech LTD
Phone: +972 55-2266-535
Fax: +972 2-9900-560
Email: info@NetivTech.com
Web: www.netivtech.com

Singapore
Servo Dynamics Pte Ltd
Phone: +65 6844 0288
Fax: +65 6844 0070
E-mail: servodynamics@servo.com.sg

South Africa
Industrial Specialised Applications CC
Phone: +27 011 466 0346
E-mail: gartht@isagroup.co.za
Web: www.isaza.co.za

United Arab Emirates
Mechatronics
Phone: +971 4 267 4311
Fax: +971 4 267 4312
E-mail: mechtron@emirates.net.ae

Terms of use

LINAK® takes great care in providing accurate and up-to-date information on its products. However, the user is responsible for determining the suitability of LINAK products for a specific application. Due to continual development, LINAK products are subject to frequent modifications and changes. LINAK reserves the rights to conduct modifications, updates, and changes without any prior notice. For the same reason, LINAK cannot guarantee the correctness and actual status of imprinted information on its products.

LINAK uses its best efforts to fulfil orders. However, for the reasons mentioned above, LINAK cannot guarantee availability of any particular product at any given time. LINAK reserves the right to discontinue the sale of any product displayed on its website or listed in its catalogues or in other written material created and produced by LINAK, LINAK subsidiaries, or LINAK affiliates. All sales are subject to the 'Standard Terms of Sale and Delivery for LINAK A/S' available on LINAK websites. LINAK and the LINAK logotype are registered trademarks of LINAK A/S. All rights reserved.