



DESKLIFT™ DL1A  
Data sheet

# DESKLIFT™ DL1A

---

The DESKLINE® DL1A is an enhancement of the DL1 column. The DL1A is a strong and very stable lifting column able to lift a lot. These features make the column the perfect choice for a wide range of heavy-duty desk applications e.g. within industry and technical workstations.

The column is compatible with the DESKLINE® control boxes ensuring that the system has a wide range of programming and configuration options. At the same time, it is very intuitive to use and based on plug and play principles. Furthermore, the system has a very low standby power consumption of only 0.1 W.



---

## Features:

- Compact design where the guide and actuator function are an integrated unit
- Max. load: 1600 N (per leg)
- Max. speed: 43 mm/s unloaded
- Pitch: 15 mm
- Installation dimension:
  - 645 mm
  - 445 mm
  - 345 mm
- Stroke length:
  - 500 mm
  - 300 mm
  - 200 mm
- Weight: approximately 6.5 kg
- Dimensions:
  - column: 50 x 80 mm
  - motor housing: 187 x 97 x 70 mm
- Colour:
  - black (RAL 9005) powder-painted outer tube, zinc-plated inner tube and black motor housing
  - all parts black (RAL 9005)
  - grey (RAL 9006) outer tube, zinc-plated inner tube and black motor housing

- Low noise level
- Short cable mounted on the DL1A for connection with a separate DESKLINE® motor cable
- Soft start and stop ensured by the control box

## Options:

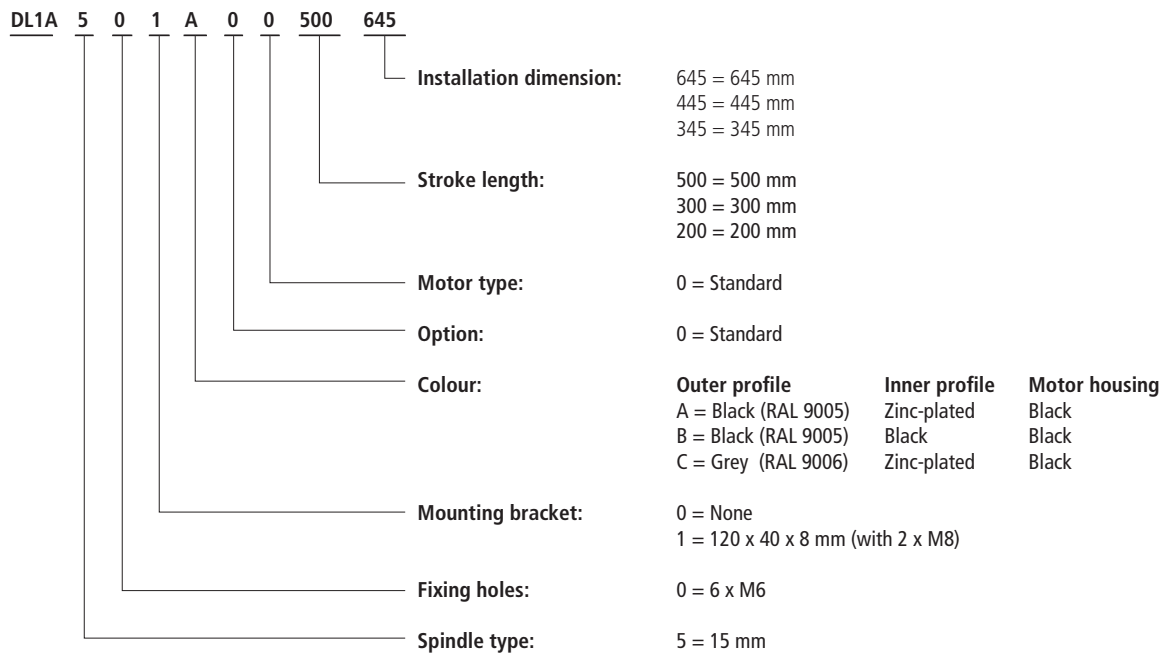
- Available with mounting bracket for crossbar

## Usage:

- Single or parallel drive
- Duty cycle: 10 % ≈ 2 minutes continuous use at full load followed by 18 minutes pause
- Ambient temperature: 5 to 40 °C
- Storage and transport temperature: -20 to +70 °C
- Compatible with DESKLINE® control boxes and DESKLINE® controls
- Complies with UL 962, IEC, and EN 60335-1

## DL1A

Ordering example:

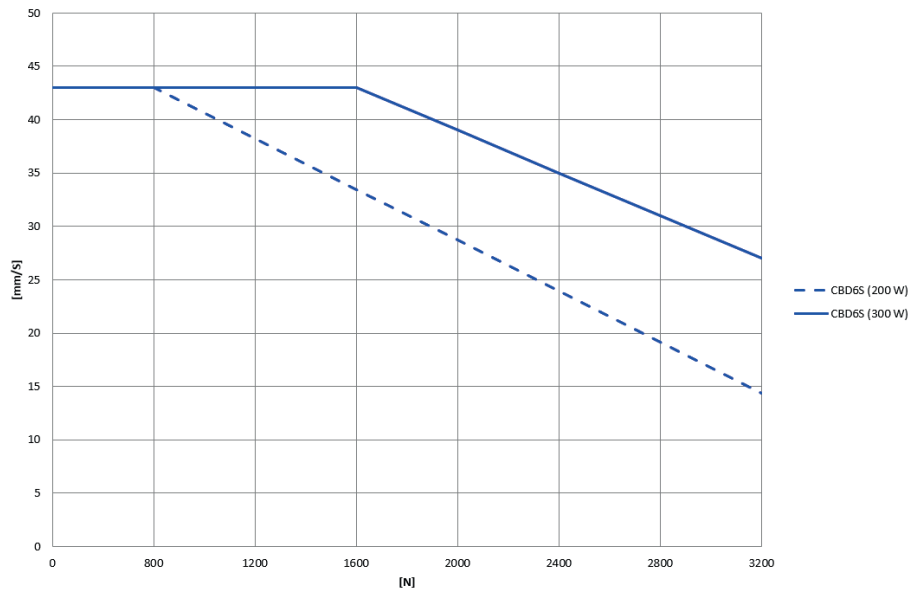


All cables for creating a fully connected DESKLINE system must be ordered separately. We offer a range of different versions and lengths.

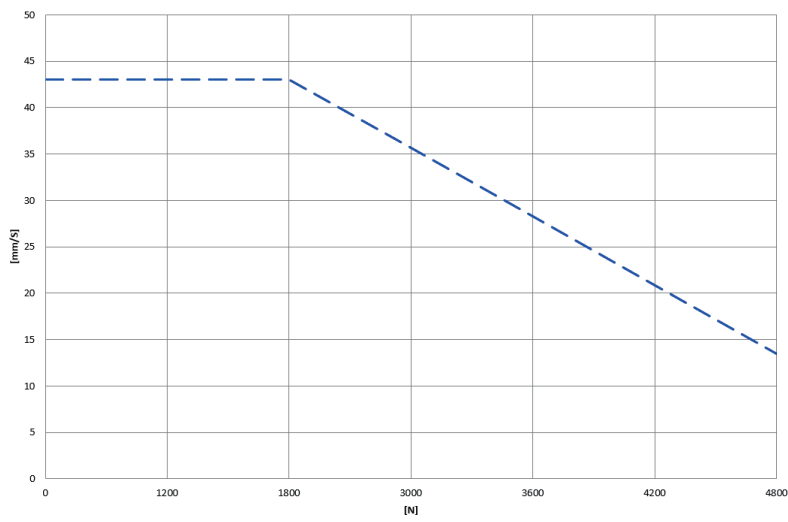
For more information as ordering number, colour and length of the cables - please contact your local LINAK.

## Performance curves

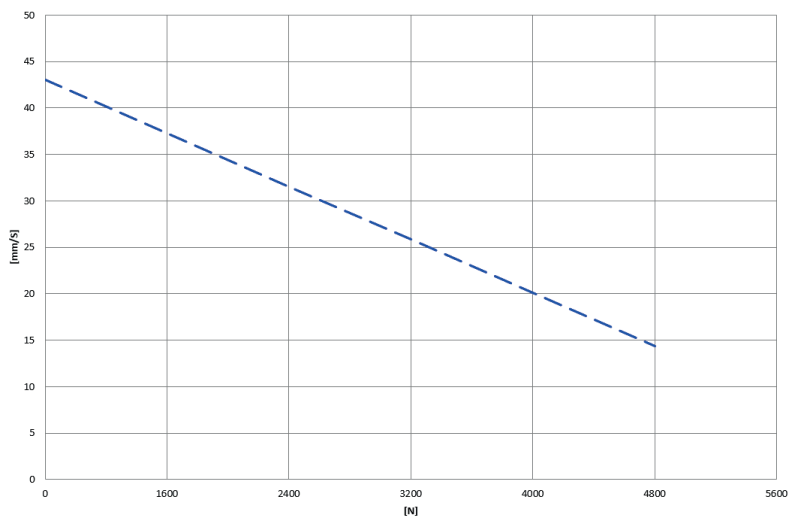
### Two DL1A (equally loaded) with CBD6S



### Three DL1A (equally loaded) with CBD6S



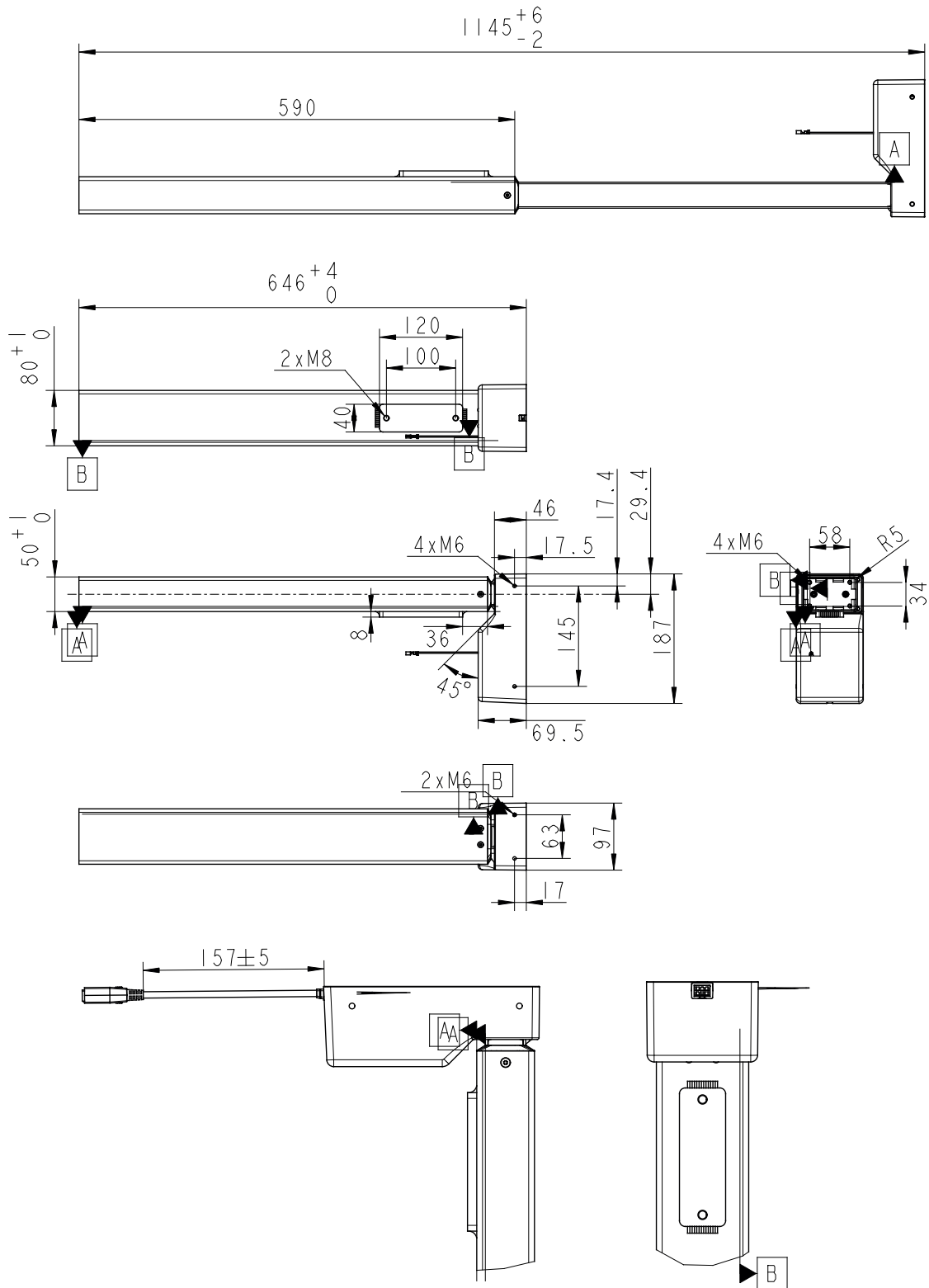
### Four DL1A (equally loaded) with CBD6S



## Dimensional drawings



All measurements are without powder coating



LINAK® accepts no responsibility for possible errors or inaccuracies in catalogues, brochures, and other material. LINAK reserves the right to change its products without prior notice. LINAK cannot guarantee product availability and reserves the right to discontinue the sale of any product. The user is responsible for determining the suitability of LINAK products for a specific application. All sales are subject to the 'Standard Terms of Sale and Delivery', available on LINAK websites.

LINAK and the LINAK logotype are registered trademarks of LINAK A/S. All rights reserved.