



TWINDRIVE[®] dual actuator quick guide

- Pairing devices and mechanical lowering

We Improve Your Life

Linear actuator movement might be the simplest movement in the world. And yet, perfecting something simple is one of the hardest challenges.

Since LINAK® founder Bent Jensen came up with the idea for the first electric actuator in order to help a friend in a wheelchair, every engineer and specialist employed by LINAK has aimed to solve real-life challenges for real people.

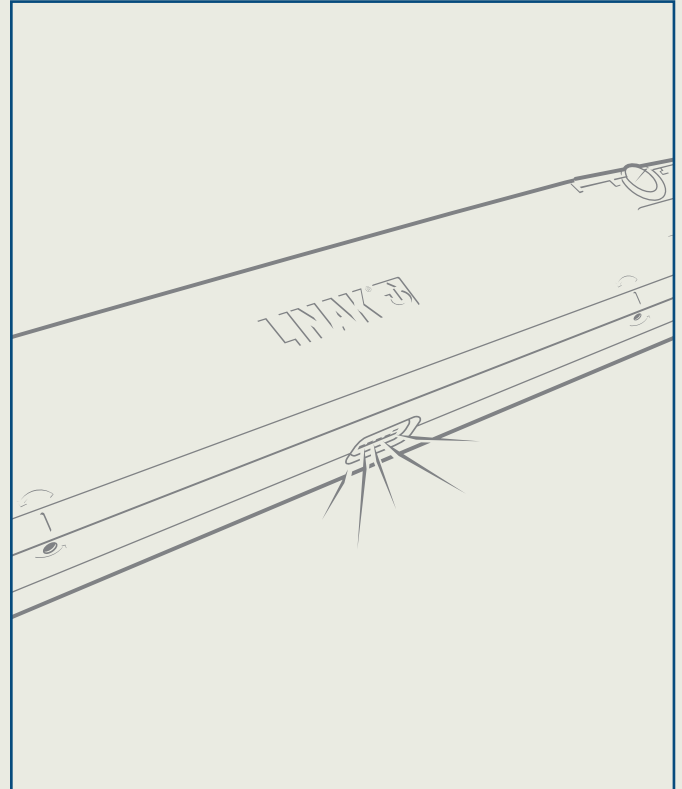
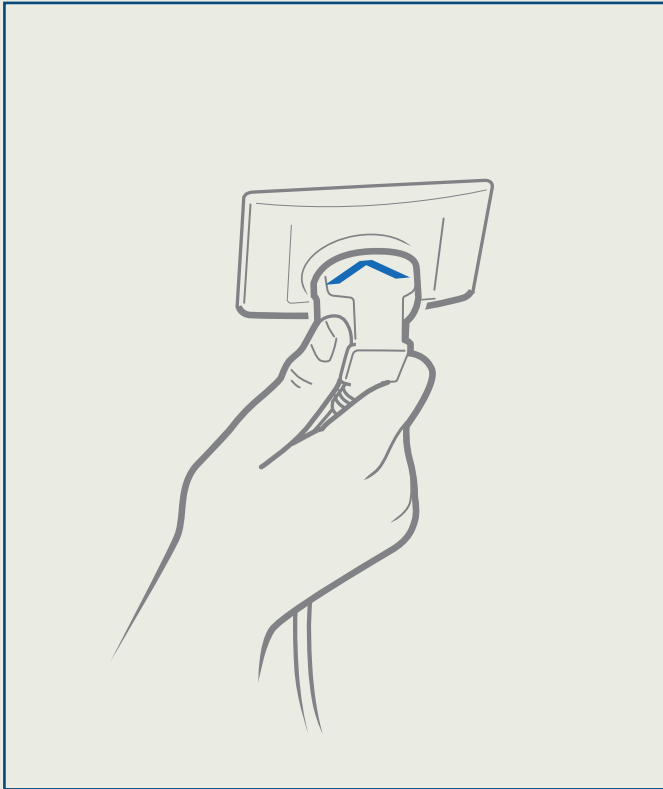
To this day, our motto; 'We Improve Your Life' is reflected in everything we do. Whether we engage in product development, operation or implementation of technology, we always look for ways to make it easier for our customers to enter into in collaborations and partnerships with us and to ultimately improve the lives and working conditions of end users.

Our solutions move people – their work and their lives.
We Improve Your Life!



**Via Bluetooth®
wireless technology,
it is possible to pair
multiple devices to
your bed motor/
TWINDRIVE®/dual
actuator.
See instructions on
the next pages.**

How to pair your control unit

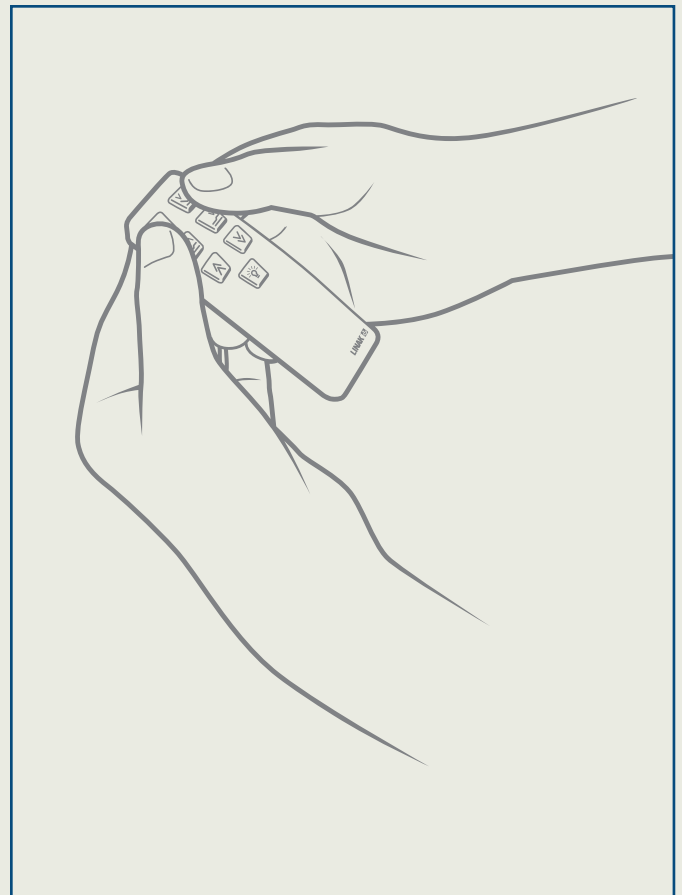


1. Connect the dual actuator to the mains. Now the dual actuator is in pairing mode for three minutes. This is indicated by the flashing Under Bed Light.
2. Take your hand control and press the two upper buttons at the same time. The light will now flash in a long flash, indicating that the dual actuator and the hand control have been paired.

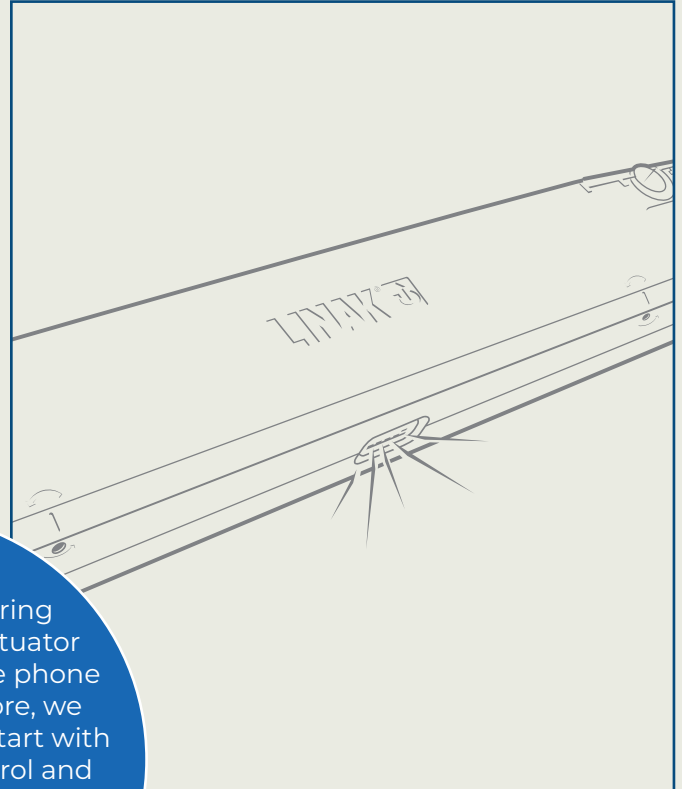
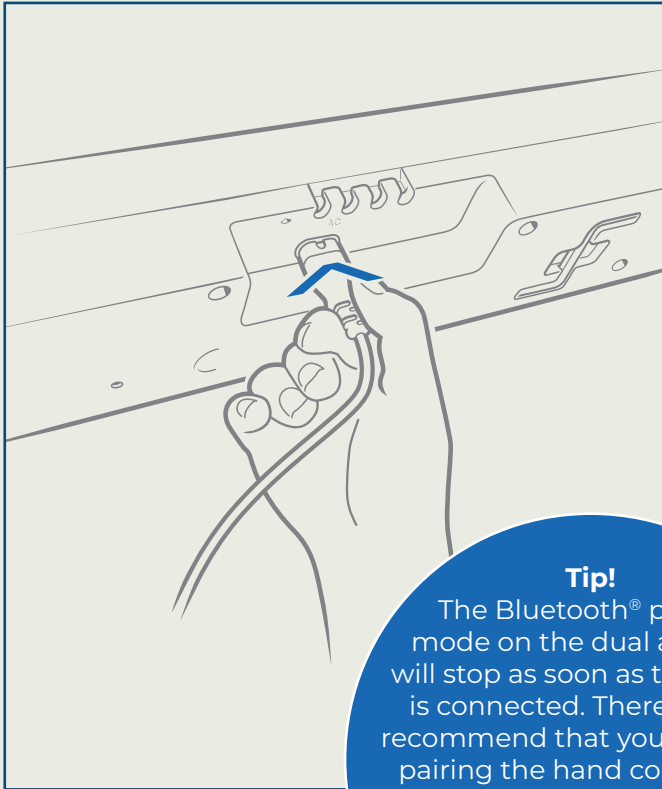
Pairing several controls

The dual actuator remains in pairing mode and you can add more controls by repeating the procedure.

Please, be aware that there must be minimum 5 seconds between pairing the devices. To get the system out of pairing mode – simply press any button on an already paired device.



Pairing your smartphone or tablet

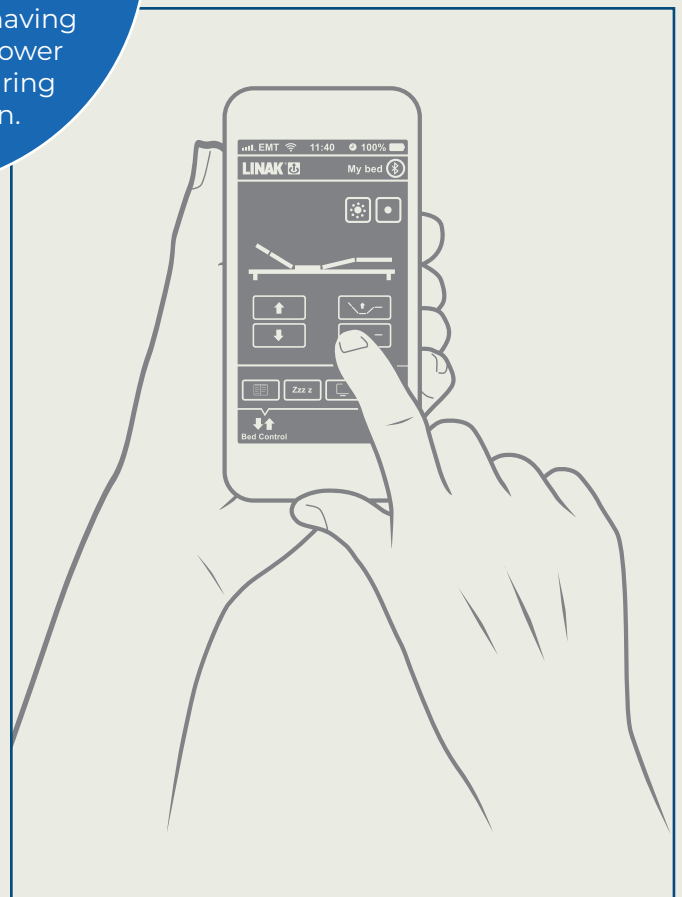


Tip!

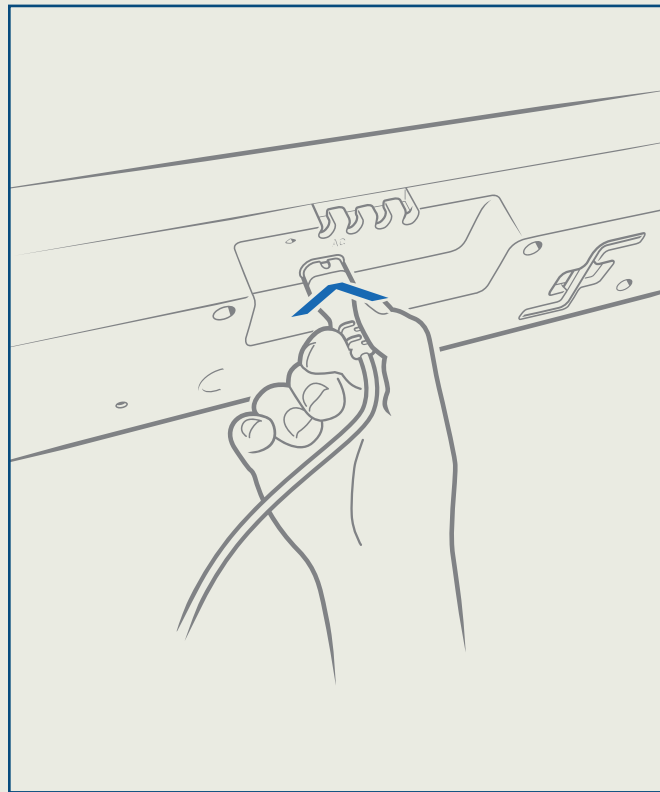
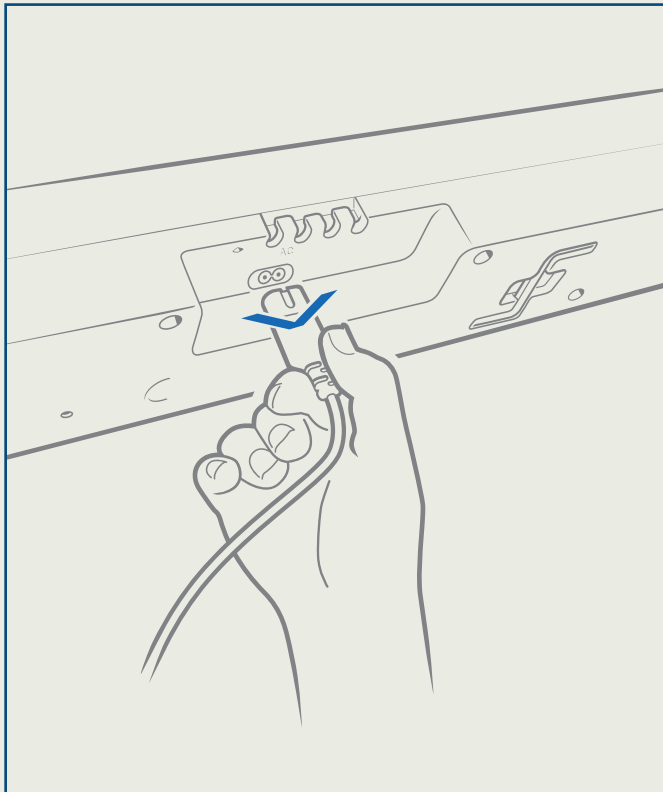
The Bluetooth® pairing mode on the dual actuator will stop as soon as the phone is connected. Therefore, we recommend that you start with pairing the hand control and thereafter the phone. This way you avoid having to disconnect the power again to initiate pairing mode once again.

Guide

1. Find and install the app Bed Control from LINAK®.
2. Connect the dual actuator to the mains. Now the dual actuator is in pairing mode for three minutes. This is indicated by the flashing Under Bed Light.
3. Enable Bluetooth on your smartphone or tablet.
4. Open the Bed Control app, follow the onboarding flow. The app will look for nearby dual actuators in pairing mode. When finishing the onboarding flow the dual actuator is paired with your smartphone or tablet and the app displays the screen from which you can operate the bed.



Pairing of devices later



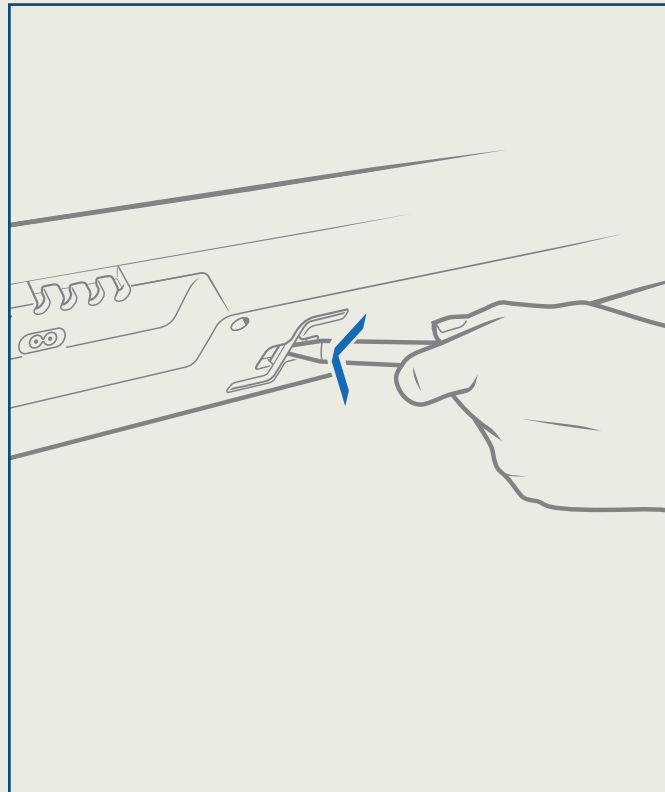
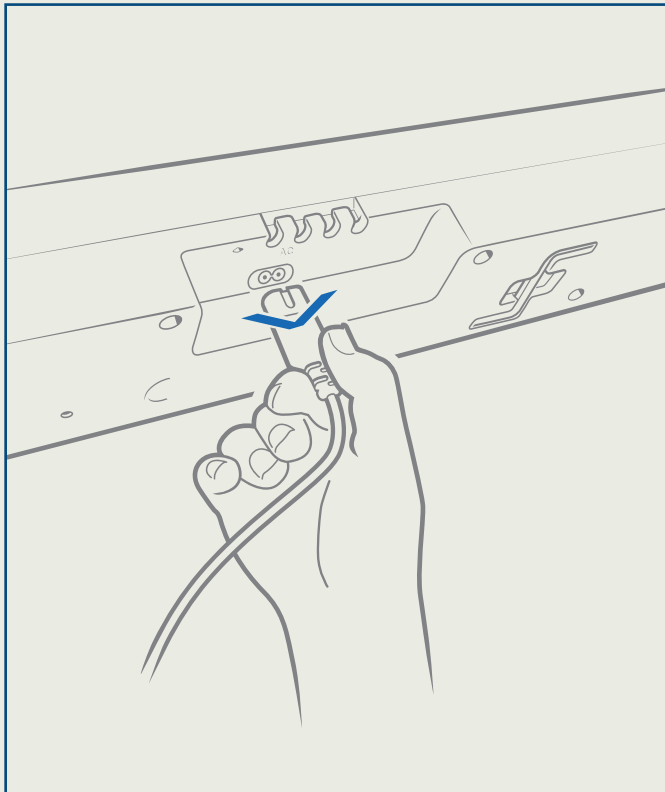
To connect another hand control, smart phone or tablet to a dual actuator, you must set the relevant dual actuator into pairing mode.

Enable pairing mode by disconnecting the bed/system from the mains power source, waiting for one minute, and plugging it back in. A light on the actuator will start flashing to confirm that pairing mode is enabled. Pairing mode will be enabled for three minutes.

The process for connecting new or additional controls varies depending on whether you are pairing an app or hand control. Please, look at the previous pages for the relevant guides.

The dual actuator goes into pairing mode every time the system is unplugged and reconnected again. To get the system out of pairing mode, push a button on one of the controls already paired with the TD4. To get the system out of pairing mode, push a button on one of the controls already paired with the TD4.

Mechanical emergency lowering



Emergency lowering is used to manually lower the bed to a horizontal position. This is relevant if power failures occur.

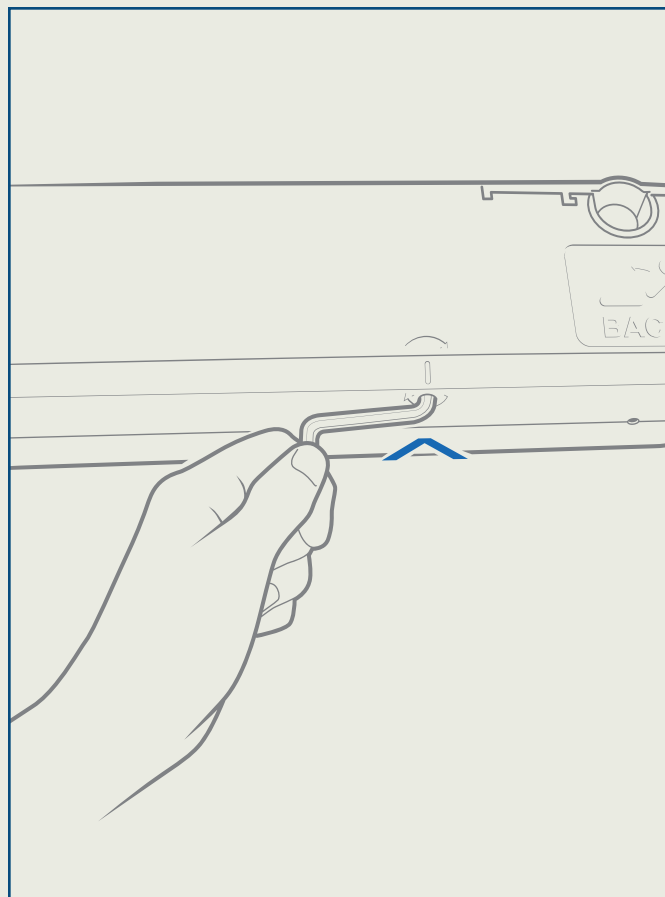
Guide

1. Disconnect the dual actuator from the mains.
2. Take the hex key on the side of the dual actuator.
3. Underneath the dual actuator are two gaps for mechanical lowering – simply place the hex key in the gap, one end at a time, and turn the hex key in the direction the arrows indicate.

Important!

It is important that you turn the hex key in the direction indicated. If you turn it in the wrong direction, you can destroy the inner screw and thus make it impossible to lower the bed in an emergency.

Never use an electric screwdriver to lower the bed. It is important that you use only the supplied hex key.





For further information about the HOMELINE® product programme:
LINAK.COM/HOMELINE



Subscribe to LINAK HOMELINE news:
LINAK.COM/SUBSCRIBE

LINAK® accepts no responsibility for possible errors or inaccuracies in catalogues, brochures, and other material. LINAK reserves the right to change its products without prior notice. LINAK cannot guarantee product availability and reserves the right to discontinue the sale of any product. User is responsible for determining the suitability of LINAK products for a specific application. All sales are subject to the 'Standard Terms of Sale and Delivery', available on LINAK websites.

LINAK and the LINAK logotype are registered trademarks of LINAK A/S. All rights reserved.



QUALITY

Built by market leading experts, using state-of-the-art technologies and perfected production methods, you can expect the same quality worldwide.



INNOVATION

Innovation is in our core. We take the lead and have the courage to make it real.



RESPONSIBILITY

We are responsible in what we do – towards customers, employees, and the environment. Creating trust is a natural part of who we are.



**LOCAL
& GLOBAL**

From global presence to local understanding. We believe in world-wide support and being close to our customers.