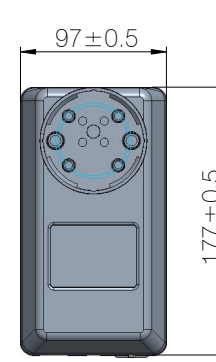
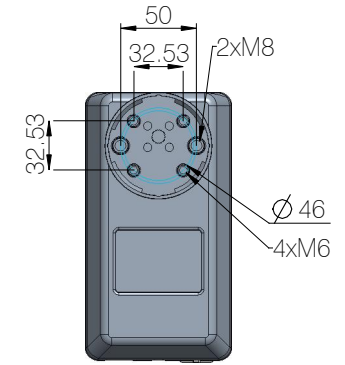


Version	B (Built-in length) [mm]	S (Stroke length) [mm]	O (Outer profile length) [mm]
Standard	645	500	590

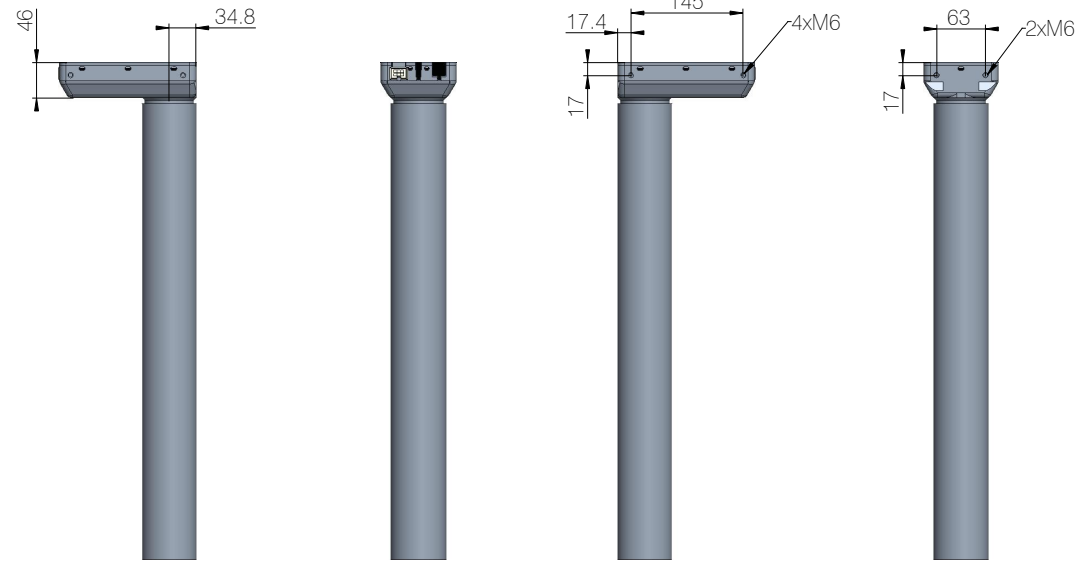
Built-in length, stroke length, and outer profile length




Motor housing



Bottom plate



Profile

All rights reserved	Date: 05 March 2026
Description: <b>DL10</b> Column	<b>LINAK</b> ®  WE IMPROVE YOUR LIFE