

Port Junction Box PJ2 Data Sheet



Contents

Introduction.....	3
Features and options	4
Usage	5
Ordering example	6
System overview.....	7
Dimension drawings.....	8
Installation dimensions	9
Mounting brackets.....	10
Mounted on frame.....	13
Contacts	14

Introduction



The LINAK® Port Junction Box PJ2 offers two extra outputs for the CO control box series. Standardised technology, interfaces and compatibility like the new CO control boxes (not compatible with CO53).

The PJ2 for LINAK actuators is intended for the control of, for instance, hospital bed and surgery tables movement.

With the PJ2, IPX6 Washable DURA™ protection and a battery port are standard options. The entire product platform supports the LINAK principle “One World – One box” – worldwide operable and applicable.

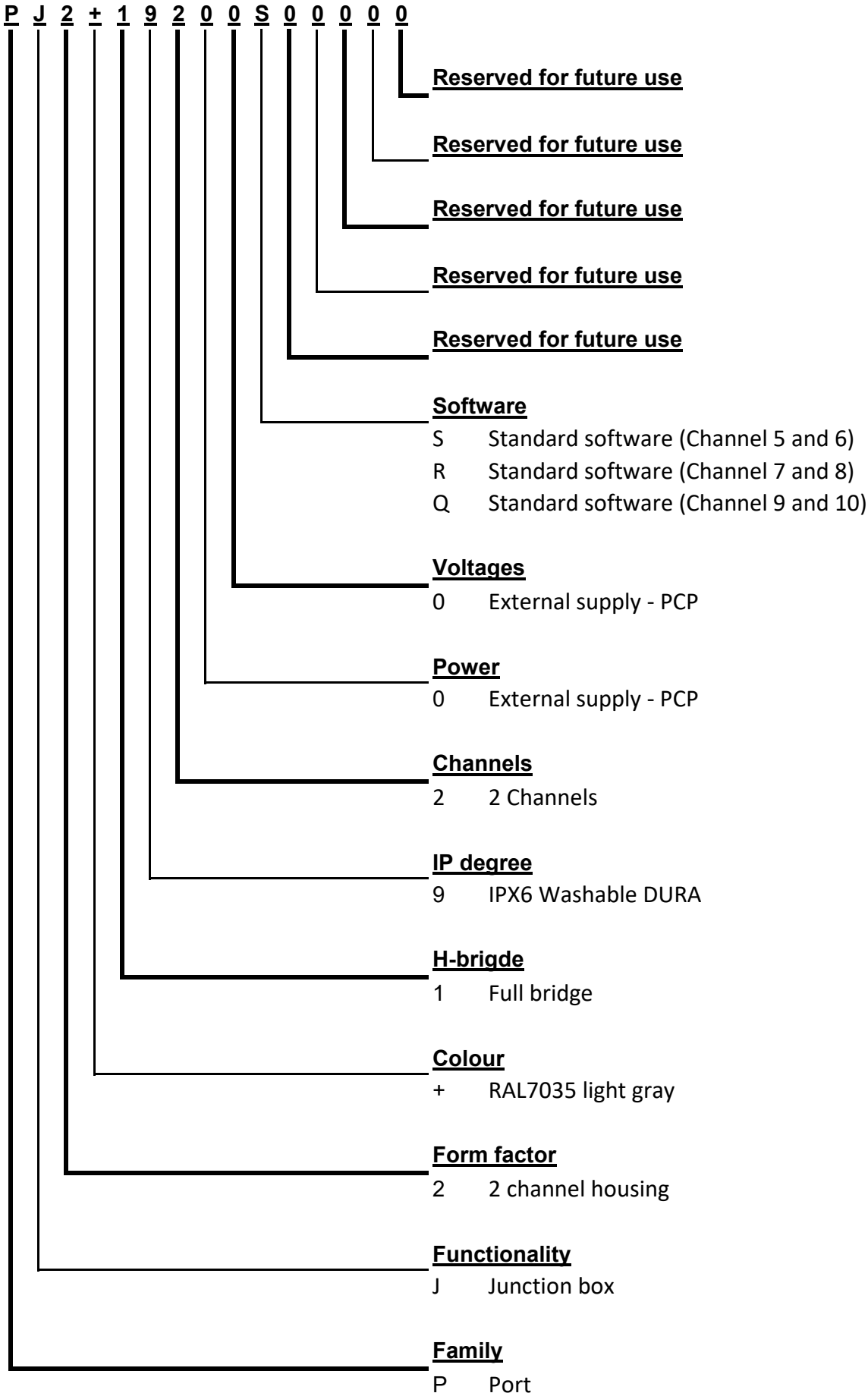
Features and options

Power supply	From COXX, PCP 2.0 only Defined by PCP (17 VDC to 50 VDC)
Bus system	LINbus
LED indicator	No
Actuator interface	2 channel 6 pin Mini-Fit
Hand control interface	No
Battery interface	Via PCP 2.0 port 4 pin Mini-Fit
PCP version	PCP 2.0
Standby power	Approx. 0.5 W
Colour	Light grey (RAL 7035)
Output short-circuit protected	Yes
Control concept	FET (no relay noise)
Power supply circuit method	Full-bridge
Duty cycle	10 % - 2/18 min. on/off continuous use
Weight	Low weight 0.3 kg
Actuator compatibility	Actuators with signal, feedback by hall and potentiometer
Battery charger	No charger, but supports battery with internal charger
EOP	Yes
Flammability rating	V-0, PP (chemical resistant sealed-for-life housing)
IP-Rating	IPX6 Washable DURA™
Operation	Simultaneous
Max. current	10 A/CH, 2/18 min. Max. 12 A/CH in a limited time period
Power management	High speed at low loads and/or high loads at a lower speed
Overload protection	The PJ2 reduces the output voltages to prevent overload
Safety system	Thermally protected Short-circuit protected Hot-plugging protected
Compatibility with actuators with hand crank	Not possible
Cable lock	Integrated in lid
Mounting	Compatible with a wide range of mounting brackets

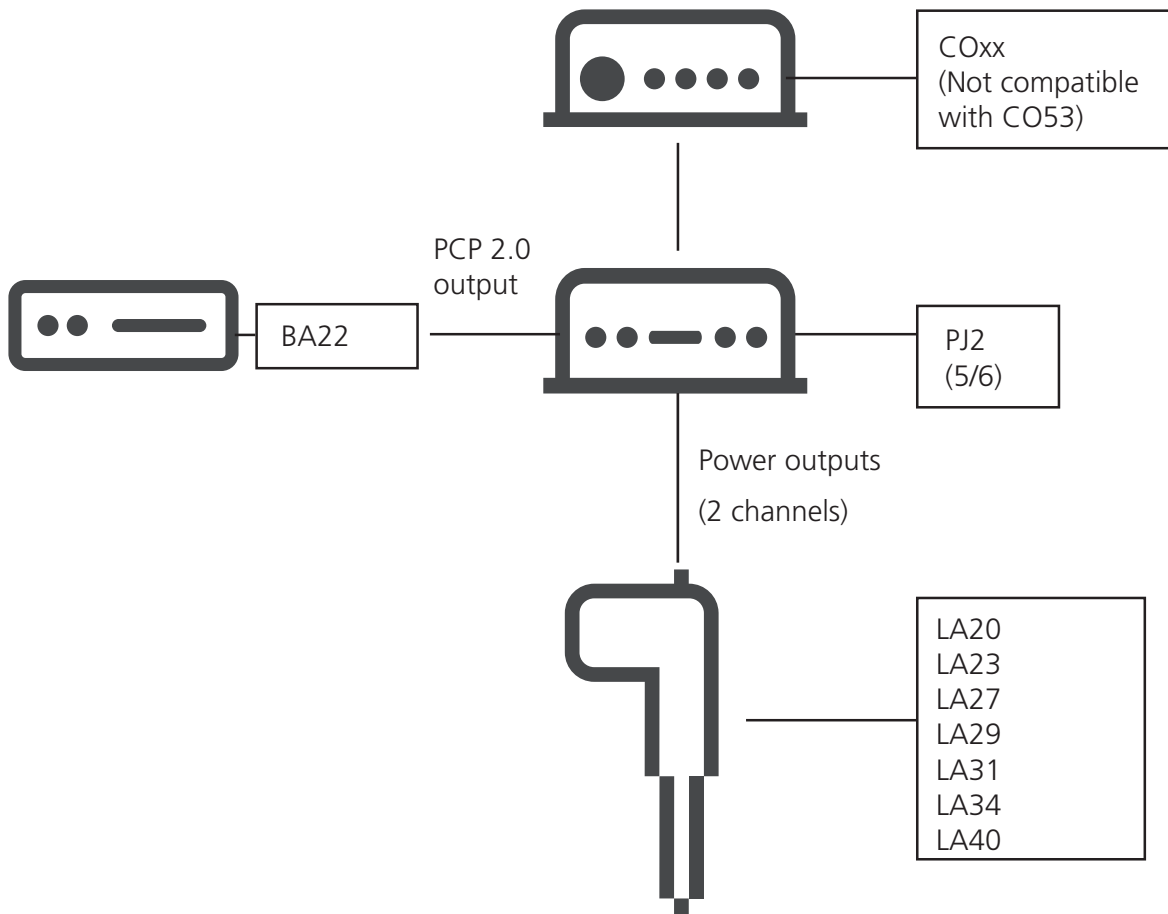
Usage

Operating temperature	+5 °C to +40 °C
Storage temperature	-10 °C to +50 °C
Relative humidity	20% - 80% – non-condensing
Atmospheric pressure	700 to 1060 hPa
Meters above sea level	Max 2000 meters
Approvals (pending)	- IEC60601-1 - ANSI/AAMI ES60601-1 - CSA CAN/CSA-C22.2 NO. 60601-1

Ordering example

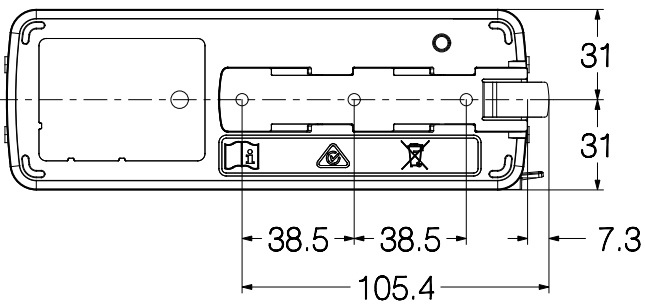
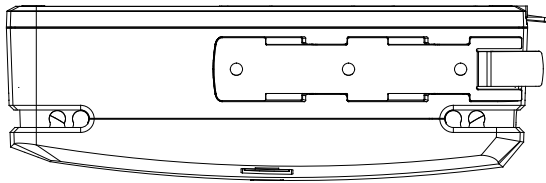
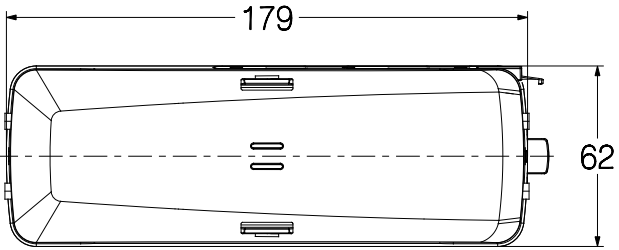
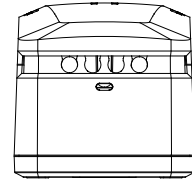
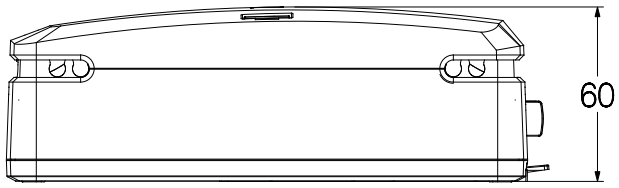


System overview



See Chapter 3 for detailed information on compatibility

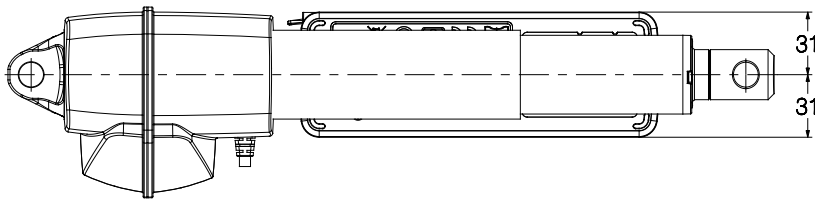
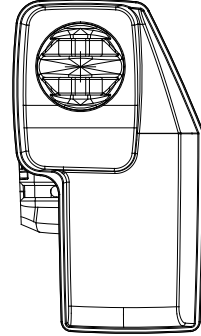
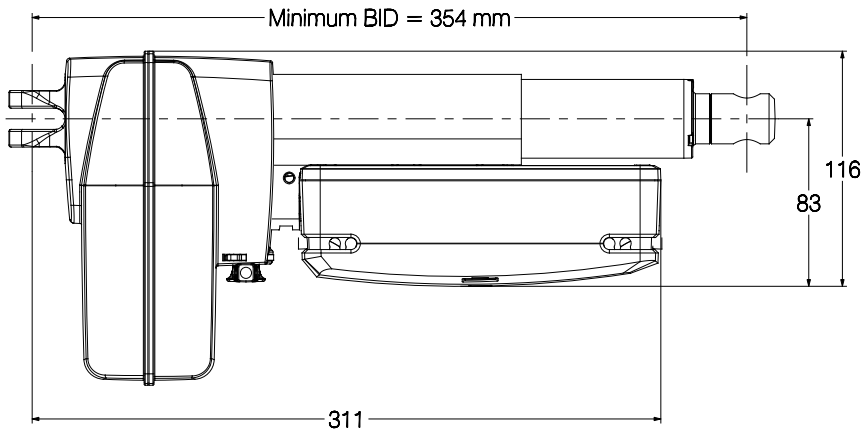
Dimension drawings



Drawing No.1038w4005

Installation dimensions

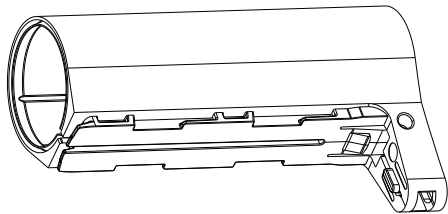
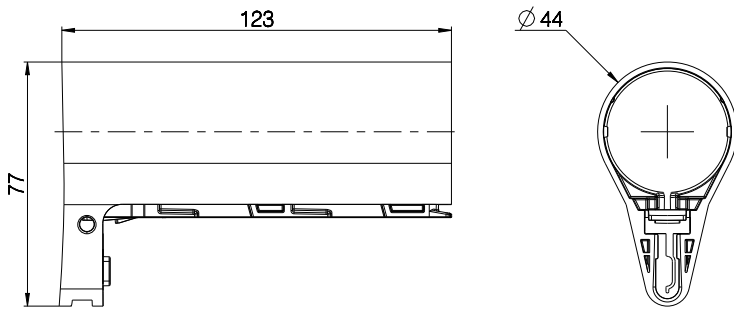
Example of PJ2 mounted on LA40



Drawing No.1038w4002

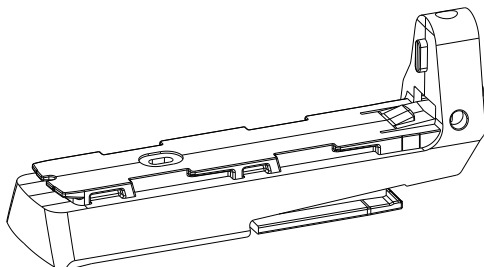
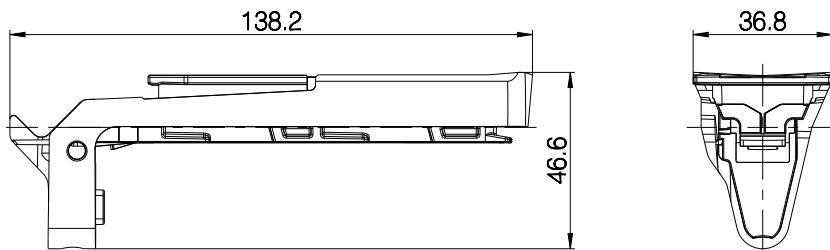
Mounting brackets

For mounting with LA40 (Article No.: 1015W1002)



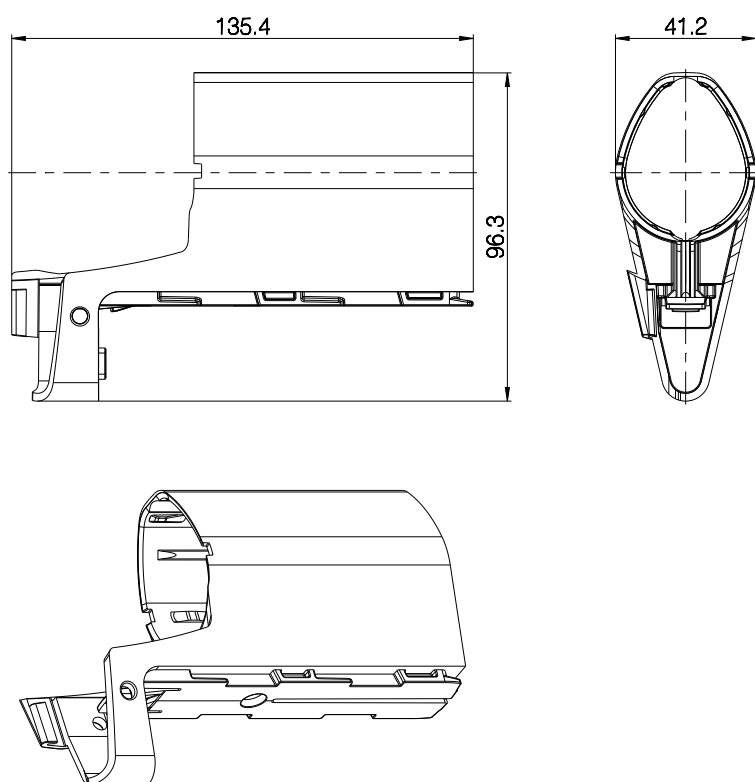
Drawing No.: 1015W4002

For mounting with LA31 (Article No.: 1015W1004)



Drawing No.: 1015W4004

For mounting with LA27 (Article No.: 1015W9003)



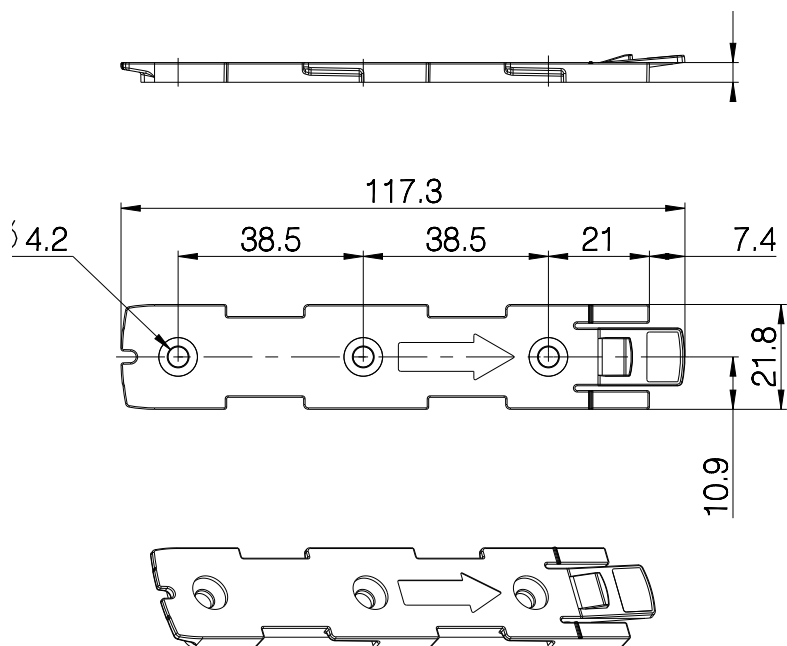
Drawing No: 1015W4003

The adapter 1015W9003 includes a screw that is halfway mounted, thus everything as one part.

Screw head torx size: T15

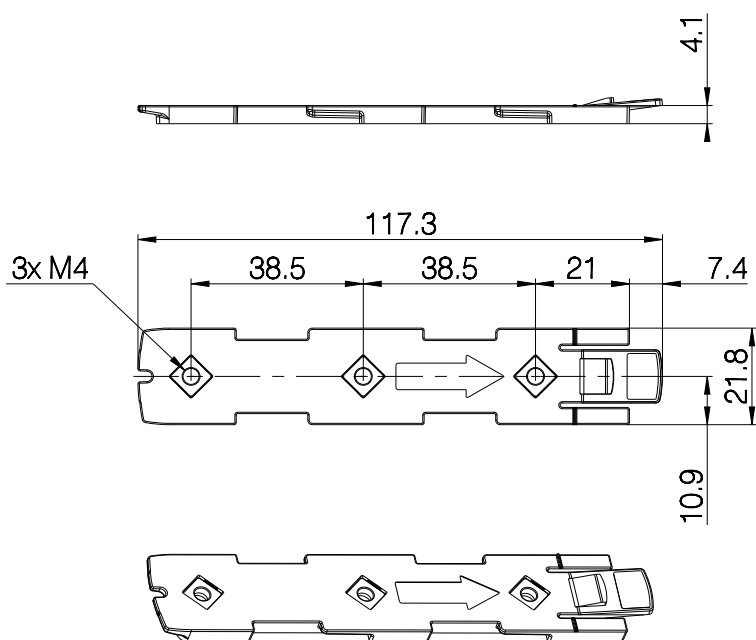
Screw torque: 1.2 ± 0.2 Nm

Mounting bracket (frame flat) - article No. 1015W1001



Drawing No.: 1015W4001

Mounting bracket (frame flat) w/M4 nuts - article No. 1015W9009



Drawing No.: 1015W4009

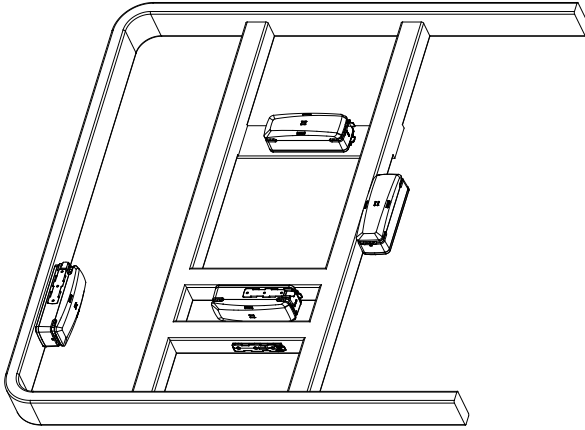
It is recommended that the PJ2 is mounted in a position that allows water to escape.

Recommended torque: 0.6Nm +/-0.1

The bracket can be mounted to the bed frame or any other application by following one of the following mounting procedures:

- M5 machine screw with flat washer to be fixed through bracket with nut on the rear side
- Self-tapping screw to be placed through bracket and onto the frame

Mounted on frame



Drawing No.: 1038W4003

Contacts

FACTORIES

Denmark - Headquarters
 LINAK A/S
 Phone: +45 73 15 15 15
 Fax: +45 74 45 80 48
 Fax (Sales): +45 73 15 16 13
 Web: www.linak.com

China
 LINAK (Shenzhen) Actuator Systems, Ltd.
 Phone: +86 755 8610 6656
 Phone: +86 755 8610 6990
 Web: www.linak.cn

Slovakia
 LINAK Slovakia s.r.o.
 Phone: +421 51 7563 444
 Web: www.linak.sk

Thailand
 LINAK APAC Ltd.
 Phone: +66 33 265 400
 Web: www.linak.com

USA
 LINAK U.S. Inc.
 Americas Headquarters
 Phone: +1 502 253 5595
 Fax: +1 502 253 5596
 Web: www.linak-us.com
 www.linak-latinamerica.com

SUBSIDIARIES

Australia
 LINAK Australia Pty. Ltd
 Phone: +61 3 8796 9777
 Fax: +61 3 8796 9778
 E-mail: sales@linak.com.au
 Web: www.linak.com.au

Austria
 LINAK Zweigniederlassung - Österreich (Wien)
 Phone: +43 (1) 890 7446
 Fax: +43 (1) 890 744615
 E-mail: info@linak.de
 Web: www.linak.at - www.linak.hu

Belgium
 LINAK Actuator-Systems NV/SA
 (Belgium & Luxembourg)
 Phone: +32 (0)9 230 01 09
 E-mail: beinfo@linak.be
 Web: www.linak.be - www.fr.linak.be

Brazil
 LINAK Do Brasil Comércio De Atuadores Ltda.
 Phone: +55 (11) 2832 7070
 Fax: +55 (11) 2832 7060
 E-mail: info@linak.com.br
 Web: www.linak.com.br

Canada
 LINAK Canada Inc.
 Phone: +1 502 253 5595
 Fax: +1 416 255 7720
 E-mail: info@linak.ca
 Web: www.linak-us.com

Czech Republic
 LINAK C&S s.r.o.
 Phone: +42 058 174 1814
 Fax: +42 058 170 2452
 E-mail: info@linak.cz
 Web: www.linak.cz - www.linak.sk

Denmark - International
 LINAK International
 Phone: +45 73 15 15 15
 E-mail: info@linak.com
 Web: www.linak.com

Denmark - Sales
 LINAK Danmark A/S
 Phone: +45 86 80 36 11
 Fax: +45 86 82 90 51
 E-mail: linak@linak-silkeborg.dk
 Web: www.linak.dk

Finland
 LINAK OY
 Phone: +358 10 841 8700
 E-mail: linak@linak.fi
 Web: www.linak.fi

France
 LINAK France E.U.R.L
 Phone: +33 (0) 2 41 36 34 34
 Fax: +33 (0) 2 41 36 35 00
 E-mail: linak@linak.fr
 Web: www.linak.fr

Germany
 LINAK GmbH
 Phone: +49 6043 9655 0
 Fax: +49 6043 9655 60
 E-mail: info@linak.de
 Web: www.linak.de

India
 LINAK A/S India Liaison Office
 Phone: +91 120 4531797
 Fax: +91 120 4786428
 E-mail: info@linak.in
 Web: www.linak.in

Ireland
 LINAK UK Limited (Ireland)
 Phone: +44 (0)121 544 2211
 Fax: +44 (0)121 544 2552
 +44 (0)796 855 1606 (UK Mobile)
 +35 387 634 6554 (Rep.of Ireland Mobile)
 E-mail: sales@linak.co.uk
 Web: www.linak.co.uk

Italy
 LINAK ITALIA S.r.l.
 Phone: +39 02 48 46 33 66
 Fax: +39 02 48 46 82 52
 E-mail: info@linak.it
 Web: www.linak.it

Japan
 LINAK K.K.
 Phone: 81-45-533-0802
 Fax: 81-45-533-0803
 E-mail: linak@linak.jp
 Web: www.linak.jp

Malaysia
 LINAK Actuators Sdn. Bhd.
 Phone: +60 4 210 6500
 Fax: +60 4 226 8901
 E-mail: info@linak-asia.com
 Web: www.linak.my

Netherlands
 LINAK Actuator-Systems B.V.
 Phone: +31 76 5 42 44 40 /
 +31 76 200 11 10
 E-mail: info@linak.nl
 Web: www.linak.nl

New Zealand
 LINAK New Zealand Ltd
 Phone: +64 9580 2071
 Fax: +64 9580 2072
 E-mail: nzsales@linak.com.au
 Web: www.linak.com.au

Norway
 LINAK Norge AS
 Phone: +47 32 82 90 90
 E-mail: info@linak.no
 Web: www.linak.no

Poland
 LINAK Polska
 LINAK Danmark A/S (Spółka Akcyjna)
 Phone: +48 22 295 09 70 /
 +48 22 295 09 71
 E-mail: info@linak.pl
 Web: www.linak.pl

Republic of Korea
 LINAK Korea Ltd.
 Phone: +82 2 6231 1515
 Fax: +82 2 6231 1516
 E-mail: info@linak.kr
 Web: www.linak.kr

Slovakia
 LINAK Slovakia S.R.O.
 Phone: +421 51 7563 444
 Web: www.linak.sk

Spain
 LINAK Actuadores, S.L.U
 Phone: +34 93 588 27 77
 Fax: +34 93 588 27 85
 E-mail: esma@linak.es
 Web: www.linak.es

Sweden
 LINAK Scandinavia AB
 Phone: +46 8 732 20 00
 Fax: +46 8 732 20 50
 E-mail: info@linak.se
 Web: www.linak.se

Switzerland
 LINAK AG
 Phone: +41 43 388 31 88
 Fax: +41 43 388 31 87
 E-mail: info@linak.ch
 Web: www.linak.ch - www.fr.linak.ch
 www.it.linak.ch

Taiwan
 LINAK (Shenzhen) Actuator systems Ltd.
 Taiwan Representative office
 Phone: +886 2 272 90068
 Fax: +886 2 272 90096
 E-mail: sales@linak.com.tw
 Web: www.linak.com.tw

Turkey
 LINAK İth. İhr. San. ve Tic. A.Ş.
 Phone: +90 312 4726338
 Fax: +90 312 4726635
 E-mail: info@linak.com.tr
 Web: www.linak.com.tr

United Kingdom
 LINAK UK Limited
 Phone: +44 (0)121 544 2211
 Fax: +44 (0)121 544 2552
 E-mail: sales@linak.co.uk
 Web: www.linak.co.uk

DISTRIBUTORS

Argentina
 Novotec Argentina SRL
 Phone: 011-4303-8989 / 8900
 Fax: 011-4032-0184
 E-mail: info@novotecargentina.com
 Web: www.novotecargentina.com

Colombia
 MEM Ltda
 Phone: +[57] (1) 334-7666
 Fax: +[57] (1) 282-1684
 E-mail: servicioalcliente@memlda.com.co
 Web: www.mem.net.co

India
 Mechatronics Control Equipments India Pvt Ltd
 Phone: +91-44-28558484, 85
 E-mail: bala@mechatronicscontrol.com
 Web: www.mechatronicscontrol.com

Indonesia
 PT. Himalaya Everest Jaya
 Phone: +6 221 544 8956 /+6 221 544 8965
 Fax: +6 221 619 1925
 Fax (Sales): +6 221 619 4658
 E-mail: hejplastic-div@centrin.net.id
 Web: www.hej.co.id

Israel
 NetivTech LTD
 Phone: +972 55-2266-535
 Fax: +972 2-9900-560
 Email: info@NetivTech.com
 Web: www.netivtech.com

Singapore
 Servo Dynamics Pte Ltd
 Phone: +65 6844 0288
 Fax: +65 6844 0070
 E-mail: servodynamics@servo.com.sg

South Africa
 Industrial Specialised Applications CC
 Phone: +27 011 466 0346
 E-mail: gartht@isagroup.co.za
 Web: www.isaza.co.za

United Arab Emirates
 Mechatronics
 Phone: +971 4 267 4311
 Fax: +971 4 267 4312
 E-mail: mechtron@emirates.net.ae

Terms of use

LINAK® takes great care in providing accurate and up-to-date information on its products. However, the user is responsible for determining the suitability of LINAK products for a specific application. Due to continual development, LINAK products are subject to frequent modifications and changes. LINAK reserves the rights to conduct modifications, updates, and changes without any prior notice. For the same reason, LINAK cannot guarantee the correctness and actual status of imprinted information on its products.

LINAK uses its best efforts to fulfil orders. However, for the reasons mentioned above, LINAK cannot guarantee availability of any particular product at any given time. LINAK reserves the right to discontinue the sale of any product displayed on its website or listed in its catalogues or in other written material created and produced by LINAK, LINAK subsidiaries, or LINAK affiliates. All sales are subject to the 'Standard Terms of Sale and Delivery for LINAK A/S' available on LINAK websites. LINAK and the LINAK logotype are registered trademarks of LINAK A/S. All rights reserved.