

# Desk Frame 5 (DF5) User Manual



## Contents

Preface .....	3
Important safety information .....	4
Informations importantes en matière de sécurité.....	5
Safety instructions.....	6
Important safety instructions.....	6
General .....	6
Consignes de sécurité .....	8
Consignes importantes de sécurité.....	8
Général .....	8
The DESKLINE® system .....	10
Products .....	10
Intended use .....	10
Before installation, re-installation, cleaning, or troubleshooting.....	11
Before start-up .....	11
During operation .....	11
Warranty .....	12
Repairs .....	12
Maintenance.....	12
Description of the DESKLINE® system .....	13
Table size and type.....	13
Installation .....	14
Preparing the assembly .....	14
Assembling the frame.....	14
Mounting the columns .....	15
Adjusting and mounting the frame.....	16
Mounting the feet.....	18
Connecting the cables .....	19
Finalising the assembly.....	20
Assembling a bench system .....	21
Bench accessories.....	23
Privacy screen.....	24
Operation .....	25
Troubleshooting/FAQs .....	25
Contacts.....	26

## Preface

Dear User,

We are delighted that you have chosen a LINAK® product.

LINAK systems are high-tech products based on many years of experience in the manufacture and development of actuators, lifting columns, desk frames, electric control boxes, controls, batteries, accessories and chargers.

This User Manual does not address the end user. It is intended as a source of information for the equipment or system manufacturer only, and it will tell you how to install, use and maintain your LINAK electronics. The manufacturer of the end product has the responsibility to provide a User Manual, where relevant safety information from this manual is passed on to the end user.

We are convinced that your LINAK product/system will give you many years of problem-free operation.

Before our products leave the factory, they undergo both function and quality testing. Should you, nevertheless, experience problems with your product/system, you are always welcome to contact your supplier.

LINAK subsidiaries and some distributors situated all over the world have authorised service centres, which are always ready to help you. Locate your local contact information on the back page.

LINAK provides a warranty on all products, see [Warranty](#).

This warranty, however, is subject to correct use in accordance with the specifications, maintenance being done correctly, and any repairs being carried out at a service centre, which is authorised to repair LINAK products.

Changes in installation and use of LINAK systems can affect their operation and durability. The products may only be opened by authorised personnel.

This User Manual has been written based on the present technical knowledge. LINAK reserves the right to carry out technical modifications and keeps the associated information updated.

**LINAK A/S**

## Important safety information

Safe use of the system is possible only when this document is read completely and the instructions contained are strictly observed.

Failure to comply with instructions marked with the "NOTICE" symbol may result in serious damage to the system or one of its components.

Read all instructions before using this product.

Important safety information on LINAK® products can be found under the following heading(s):



### **DANGER**

Failure to comply with these instructions will result in severe personal injury.



### **WARNING**

Failure to comply with these instructions may result in severe personal injury.



### **CAUTION**

Failure to comply with these instructions can result in minor personal injury.



### **NOTICE**

Failure to comply with these instructions can result in property damage.

## READ AND SAVE THESE INSTRUCTIONS

## Informations importantes en matière de sécurité

Une utilisation sûre du système n'est possible que lorsque ce document est lu dans son intégralité et que les instructions qu'il contient sont strictement respectées.

Le non-respect des instructions marquées du symbole "AVIS" peut entraîner de graves dommages au système ou à l'un de ses composants.

Lisez toutes les instructions avant d'utiliser ce produit.

Des informations de sécurité importantes sur les produits LINAK® sont disponibles dans la ou les rubriques suivantes :



### **DANGER**

Le non-respect de ces instructions entraînera des blessures graves.



### **AVERTISSEMENT**

Le non-respect de ces instructions peut entraîner des blessures graves.



### **ATTENTION**

Le non-respect de ces instructions peut entraîner des blessures corporelles légères.



### **AVIS**

Le non-respect de ces instructions peut entraîner des dommages matériels.

## LIRE ET CONSERVER CES INSTRUCTIONS

## Safety instructions

### Important safety instructions

#### General



#### **DANGER**

##### **Plugged-in products**

Risk of electric shock

- Always unplug this product from the electrical outlet before assembling, disassembling, cleaning, or servicing.
- Only use the product indoors in dry locations.



#### **WARNING**

##### **General precautions**

Risk of burns, fire, electric shock, or injury to persons

- Unplug from outlet before putting on or taking off parts.
- It is important that everyone who is to connect, install, or use the systems has the necessary information and access to this User Manual. Follow the instructions for mounting - there is a risk of injury if these instructions are not followed.
- Close supervision is necessary when this product is used by or near children, invalids, or disabled persons.
- If there is visible damage to the product, do not install or use the product.
- Ensure that the cable and the plug are not damaged, and keep the cable away from heated surfaces.
- Use this product only for its intended use as described in this User Manual. Do not use attachments not recommended by the manufacturer.
- Never insert any object into any opening.
- During construction of applications in which the system is to be fitted, there must be no risk of personal injury, for example squeezing of fingers or arms.
- Do not open the product.



#### **CAUTION**

##### **Objects above and below the application**

Risk of personal injury and material damage

- Ensure free space above and below the application to avoid entrapment and blocking the movement in either direction.



## WARNING

- This appliance can be used by children aged from 8 years, and by persons with reduced physical, sensory or mental capabilities, or lack of experience and knowledge, if they have been given supervision or instruction concerning use of the appliance in a safe way and understand the hazards involved.
- Children shall not play with the appliance. Cleaning and user maintenance shall not be made by children without supervision.

### Only for US and Canadian markets

- Persons who do not have the necessary experience or knowledge of the product/products must not use the product/products. Besides, persons with reduced physical, sensory, or mental abilities must not use the product/products, unless they are under surveillance or they have been thoroughly instructed in the use of the apparatus by a person who is responsible for the safety of these persons.
- Moreover, children must be under surveillance to ensure that they do not play with the product.
- It is the operator's responsibility to ensure that there is free space for the application to move without risk for the operator or bystanders before operating the application.

## Consignes de sécurité

### Consignes importantes de sécurité

#### Général



#### **DANGER**

##### **Produits enfichés**

Risque de choc électrique

- Débranchez toujours ce produit de la prise électrique avant de l'assembler, de le démonter, de le nettoyer ou de l'entretenir.
- N'utilisez le produit qu'à l'intérieur, dans des endroits secs.



#### **AVERTISSEMENT**

##### **Précautions générales**

Risque de brûlures, d'incendie, d'électrocution ou de blessure des personnes

- Débrancher la prise de courant avant de mettre ou de retirer des pièces.
- Il est important que toutes les personnes chargées de connecter, d'installer ou d'utiliser les systèmes disposent des informations nécessaires et aient accès à ce manuel de l'utilisateur. Suivez les instructions de montage - risque de blessure en cas de non-respect de ces instructions.
- L'appareil n'est pas destiné à être utilisé par de jeunes enfants ou des personnes infirmes sans surveillance.
- Si le produit présente des dommages visibles, il ne doit pas être installé.
- Veillez à ce que le câble et la fiche ne soient pas endommagés et tenez le câble éloigné des surfaces chauffées.
- N'utilisez ce produit que pour l'usage auquel il est destiné, tel qu'il est décrit dans ce manuel de l'utilisateur.  
N'utilisez pas d'accessoires non recommandés par le fabricant.
- N'insérez jamais d'objet dans une ouverture.
- Il convient de noter que lors de la construction des applications dans lesquelles l'actionneur doit être monté, il ne doit pas y avoir de risque de blessure, par exemple en cas d'écrasement des doigts ou des bras.
- N'ouvrez pas le produit.



#### **ATTENTION**

##### **Objets au-dessus et au-dessous de l'application**

Risque de blessures et de dommages matériels

- Veillez à ce qu'il y ait un espace libre au-dessus et au-dessous de l'application afin d'éviter tout risque de coincement et de blocage du mouvement dans l'une ou l'autre direction.



## AVERTISSEMENT

- Cet appareil peut-être utilisé par des enfants âgés de 8 ans et plus, ainsi que les personnes dont les capacités physiques, sensorielles ou mentales sont réduites ou ayant un manque d'expérience et de connaissance si elles ont bénéficié d'une surveillance ou d'instructions concernant l'utilisation de l'appareil en toute sécurité et compris les risques encourus.
- Les enfants ne doivent pas jouer avec l'appareil. Le nettoyage et l'entretien ne doivent pas être réalisés par des enfants sans surveillance

### Seulement pour les marchés américains et canadiens

- Les personnes qui n'ont pas l'expérience ou les connaissances nécessaires sur le ou les produit(s) ne doivent pas le ou les utiliser. Par ailleurs, les personnes ayant des capacités physiques, sensorielles ou mentales réduites ne doivent pas utiliser le ou les produit(s), sauf si elles sont sous surveillance ou ont suivi une formation approfondie de l'utilisation de l'appareil par l'individu responsable de la sécurité de ces personnes.
- De plus, les enfants doivent-être sous surveillance afin de s'assurer qu'ils ne jouent pas avec le produit.
- Il est de la responsabilité de l'opérateur de s'assurer qu'il y a de l'espace libre pour que l'application puisse se déplacer sans risque pour l'opérateur ou les passants avant d'utiliser l'application.

## The DESKLINE® system

This system is a DESKLINE system developed for desks and for indoor use in offices.

Do not use it in other environments that have to be cleaned with aggressive detergents.

### Products



This document describes the installation of the top frame. For more information on installation and connection of the electronics, please refer to the relevant column User Manual which is available here:

<https://www.linak.com/user-manuals/deskline/>

The DF5 packaging contains a short LINAK® Assembly Instruction.

A [mounting instruction video](#) is available via the QR code on the packaging.

### Desk Frame 5 (DF5)



### Intended use

This product is intended for use indoors in household and commercial usage areas.

Bench systems are intended for use in areas where children or people with cognitive disabilities are not anticipated to be present or, if present, closely supervised.

Parameter	Operation	Storage and transportation
Temperature	10 to 40 °C	-10 to +50 °C
Relative humidity	20% to 80% - non-condensing	20% to 80% - non-condensing
Atmospheric pressure	800 to 1060 hPa	700 to 1060 hPa
Altitude	Max. 2000 m	N/A



Do not use outdoors or in wet areas.



Do not use it in environments that have to be cleaned with aggressive detergents.

## Before installation, re-installation, cleaning, or troubleshooting

- Stop the system.
- Unplug the power cable.
- Relieve the system of any loads, which may be released during the work.
- Review the assembly instructions to confirm that the appropriate critical components and accessories are being used with this product.

## Before start-up

- Make sure that the system has been installed as instructed in this User Manual.
- Make sure that the voltage of the system matches the mains voltage before connecting the system to the mains.
- Always use the supplied power cable.

## During operation

- If the system makes unusual noise or smells, unplug the mains cable immediately.
- Observe the maximum lifting force of the columns/system used in the application.
- Observe the specified maximum duty cycle of the columns/system used in the application.
- Take care that the cables are not damaged.



### CAUTION

#### Load on the desk

Risk of injury to persons and of malfunction

- Do not overload the frame.
- Place heavy load centrally on the desk.
- Do not use the desk as a work bench.
- Do not use the frame for lifting persons.
- Do not stand on the desk while it is driving up or down.



### NOTICE

#### Duty cycle

Risk of malfunction

- Do not exceed the duty cycle.

## Warranty

The warranty terms for DESKLINE products are described in this warranty paper:  
<https://cdn.linak.com/-/media/files/warranty/warranty-paper-deskline-eng.pdf>

## Repairs



### **WARNING**

#### **Opening the product**

Risk of injury to persons

- Do not open the DESKLINE® product.

In order to avoid the risk of malfunction, all DESKLINE® repairs must only be carried out by authorised LINAK workshops or repairers, as special tools must be used and special gaskets must be fitted. Lifting units under warranty must also be returned to authorised LINAK workshops.

## Maintenance

Clean dust and dirt from the outside of the system at appropriate intervals and inspect for damage and breaks.

Inspect connections, cables, and plugs without disconnecting, and check functioning as well as fixing points.

## Description of the DESKLINE® system

The Desk Frame 5 (DF5) offers a sturdy and robust solution for mounting DESKLIFT™ motor-housing systems, including EXPERIENCE™ systems, to your tabletop. Designed in a T-desk style, the DF5 is ideal for constructing both 2-legged frame solutions and bench setups.

The wide range of motor-housing columns allows desk manufacturers to design diverse desks based on the same top frame. The adjustable DF5 accommodates tabletops ranging from 1200 mm to 1800 mm, making it versatile for various office environments.

Assembly is straightforward, requiring only a few screws. Premounted rubber dampers help isolate vibrations between the tabletop and frame. Easily integrate columns, feet, power supplies, and controls to create a complete desk with our simple Plug & Play™ system.

## Mounting kits

Content	Standard kit (option 01) Item no. 1097W8002	BIFMA-compatible kit (option 02) Item no. 1097W8001
Panhead chipboard screws (Drive PZ2)	18 (4.5 x 16 mm)	22 (5 x 20 mm)
Bolt (M6 x 12 mm)	8	8
Cable relief	2	2
Cable holder	2	2
Rubber dampers for additional screws	0	4

## Table size and type

The DF5 is designed for T-desks. The cantilevers must be mounted centrally on the tabletop.



Recommended tabletop specifications:

	Standard application	BIFMA application
Material	Veneered chipboard	Veneered chipboard
	Plywood	Plywood
Thickness	Min. 19 mm (3/4")	Min 24 mm (≈ 1")
Size	Min. 600 x 1200 mm (23.5" x 47")	Min. 600 x 1200 mm (23.5" x 47")
	Max. 800 x 1800 mm (31.5" x 71")	Max. 800 x 1800 mm (31.5" x 71")

## Installation



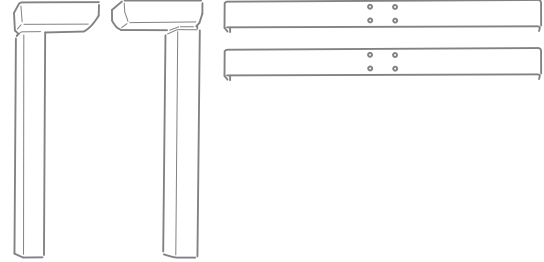
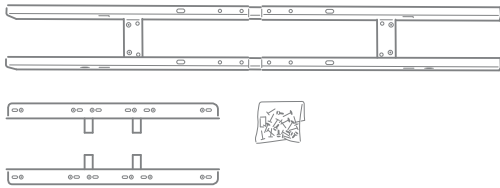
Check the packaging and the delivered items for visible damage. If there is visible damage to the product, do not install or use it.



Keep the plastic bags away from babies and children.

## Preparing the assembly

1. Gather all parts for the Desk Frame 5



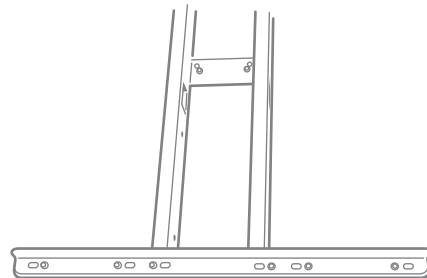
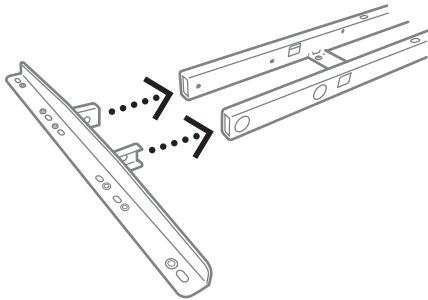
2. Flip the tabletop over and assemble the DF5 frame on the tabletop.

## Assembling the frame



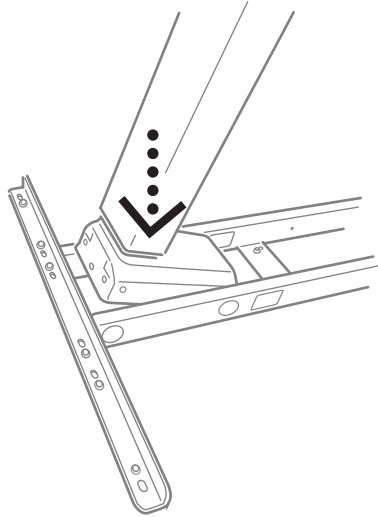
Orient the cantilever and rail correctly.

1. Press the cantilevers in place.



## Mounting the columns

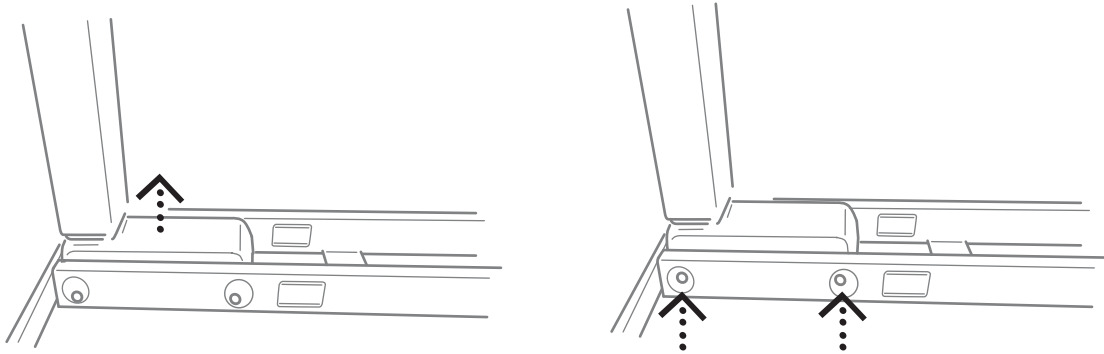
1. Place the columns between the rails.



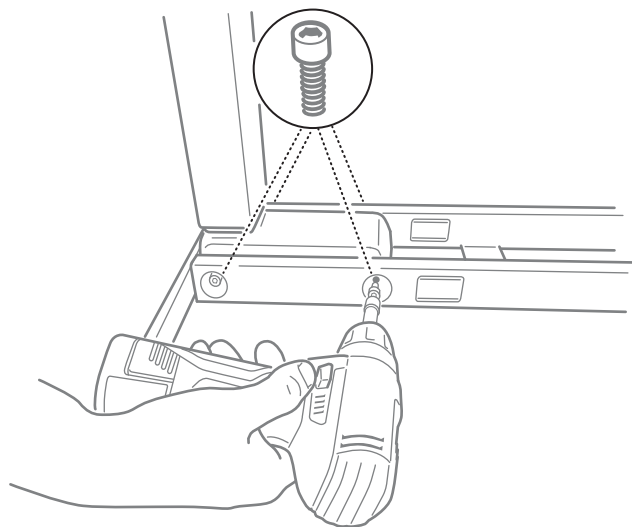
2. Fasten the columns using four M6 x 12 mm bolts for each column (max. torque: 7.5 Nm).



Lift the column a little to align the holes in the column with the holes in the frame.

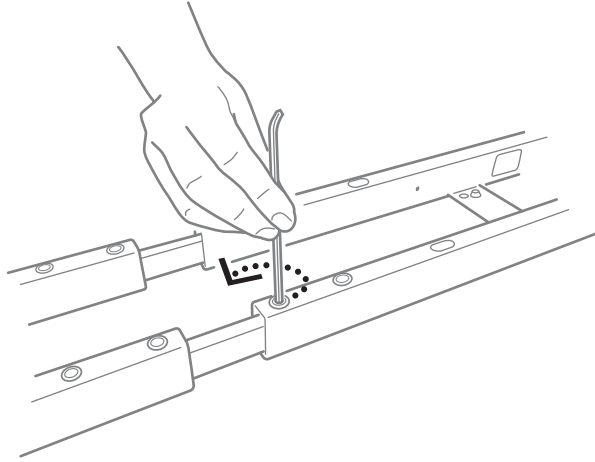


Ensure to hold the cantilever in place, while mounting the screws.

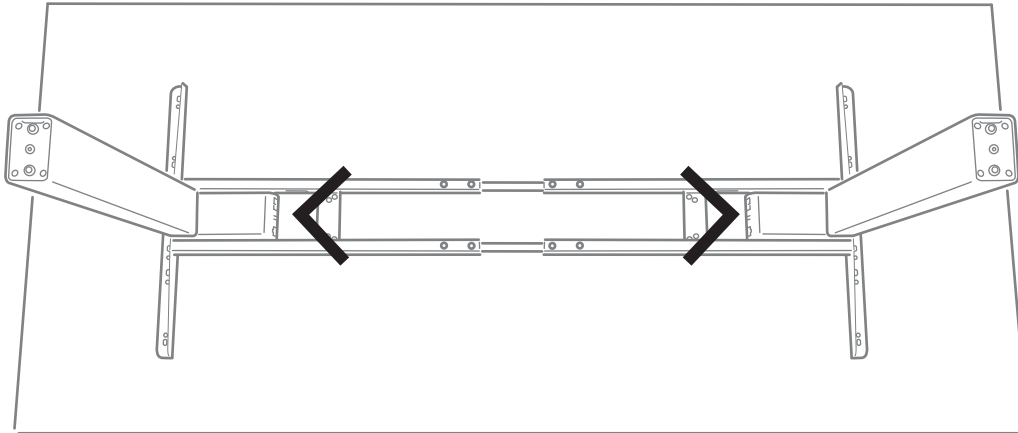


## Adjusting and mounting the frame

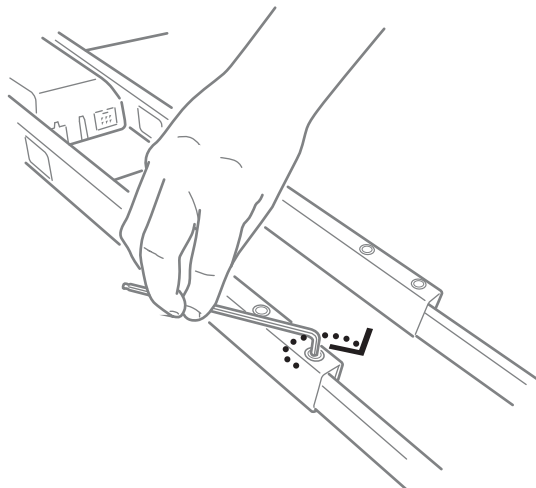
1. Loosen the 8 fixation setscrews.



2. Adjust the frame to the desired length and place it centrally on the tabletop.



3. Fasten the fixation setscrews.

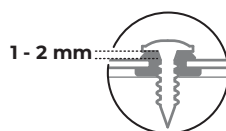


4. Mount the frame on the tabletop.



Do not overtighten the screws.

Ensure the rubber material is not compressed to more than 1-2 mm thickness.



For standard desks, use the round holes with rubber dampers (16 screws).

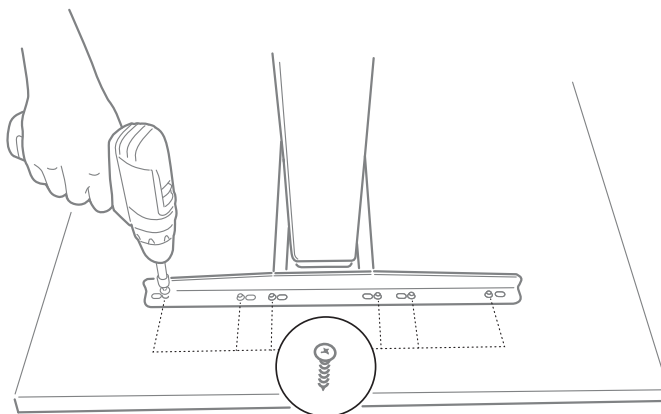


Figure 1 Use 6 screws in each cantilever



For BIFMA desks, add rubber dampers to the two outmost holes in both cantilevers and use **all** the holes with rubber dampers (20 screws).

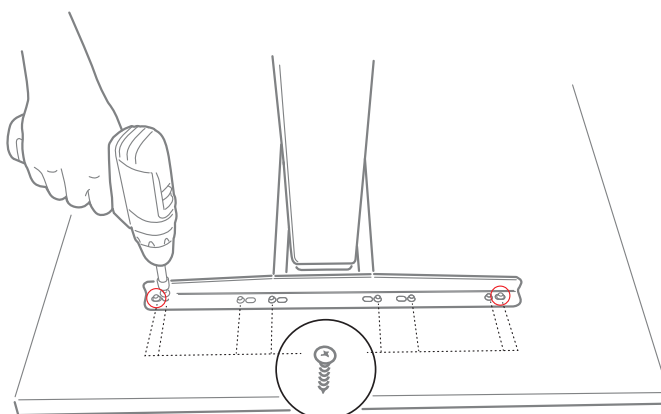


Figure 2 Use 8 screws in each cantilever

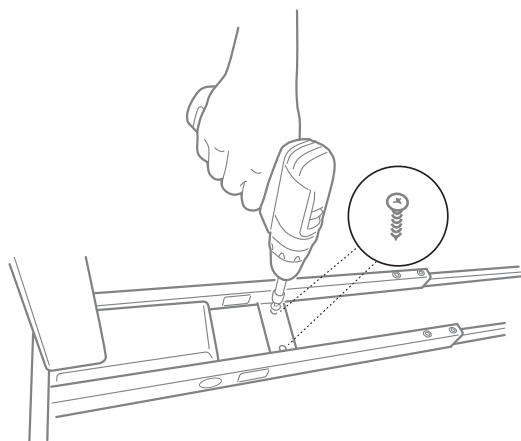
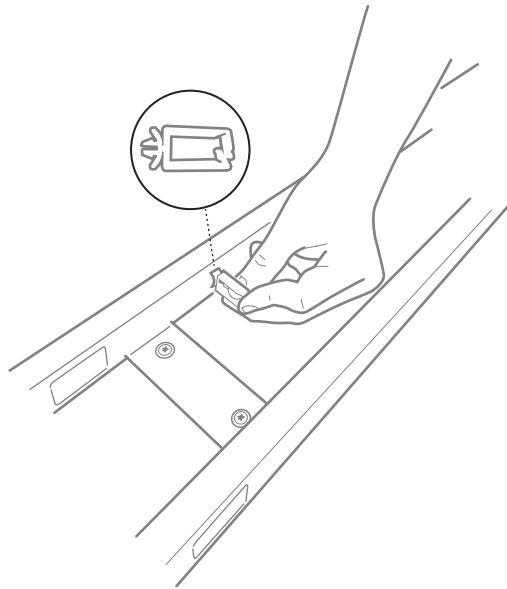


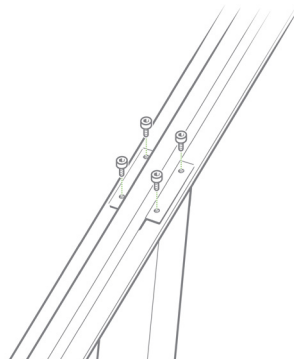
Figure 3 Use 2 screws in each mounting plate.

5. Mount the cable holders.

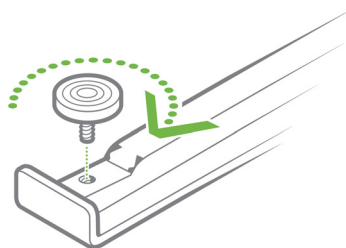


## Mounting the feet

1. Mount the feet on the columns using eight M6 mounting screws.

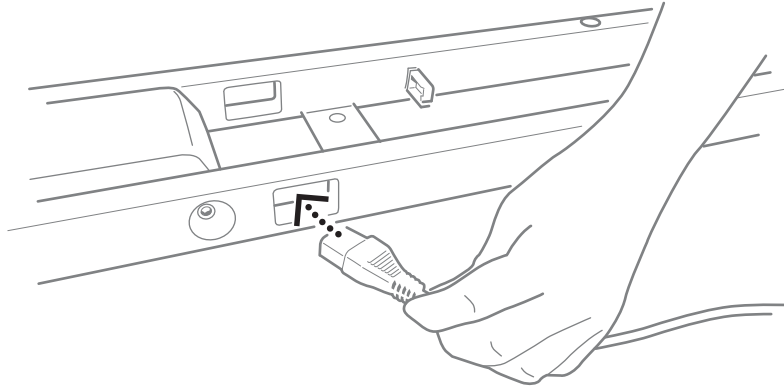


2. Mount the adjustment screws.

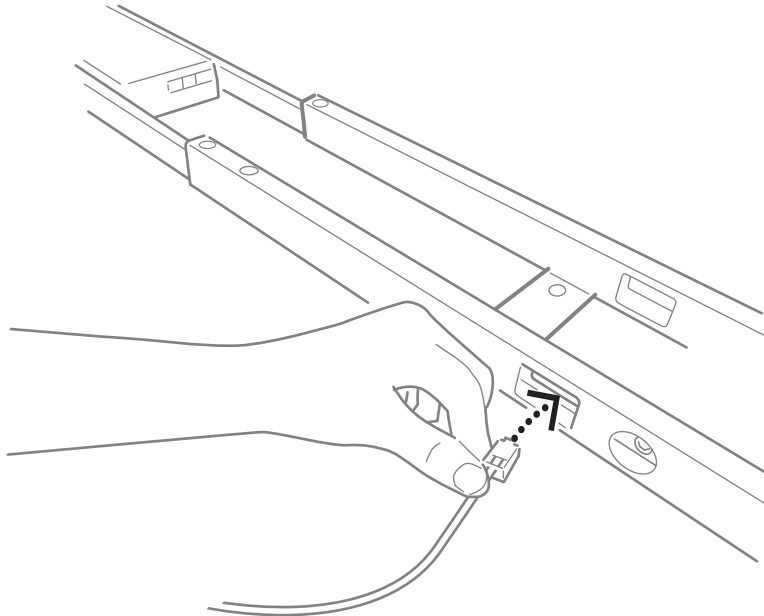


## Connecting the cables

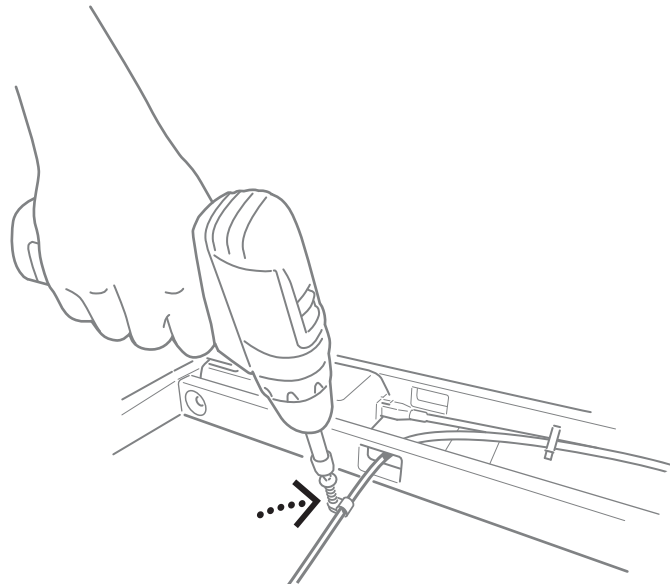
1. Mount the electronics.
2. Guide the mains cable through the hole in the frame.



3. Guide the desk-panel cable through the hole.

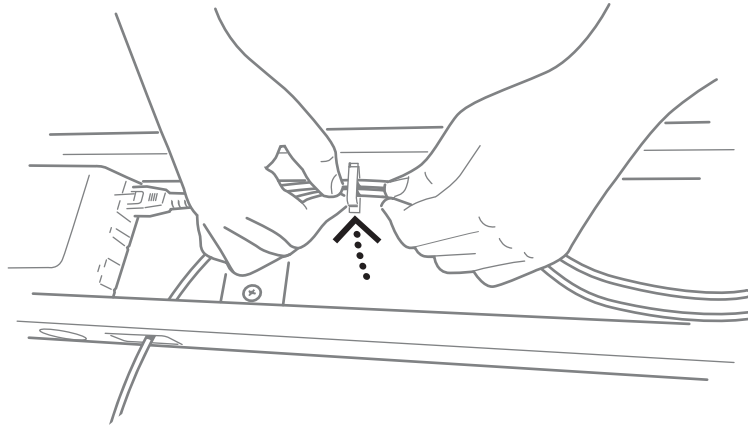


4. Fix the mains and the desk-panel cables to the tabletop using the cable clamps and the remaining screws.





You can use the cable holders for cable management.



## Finalising the assembly

1. Flip the desk over.



It is recommended not to flip the desk over single-handed as the desk is too heavy. You might get injured, or the desk might be damaged if dropped.

2. Connect to the mains supply.

Your desk is now ready for use.



Check for loose screws on a regular basis. Fasten if necessary.

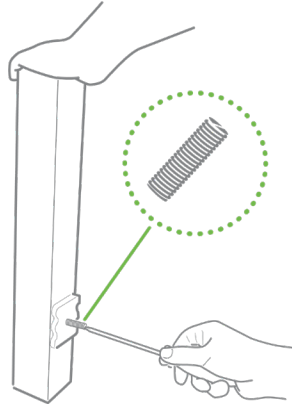


During use the load on the desk must be equally distributed across the tabletop.

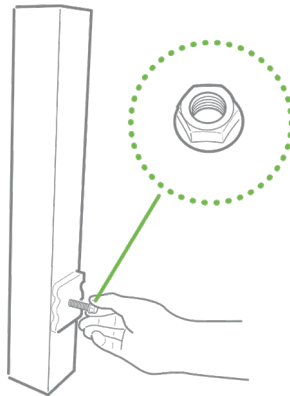
## Assembling a bench system

### 1. Mount the cross members.

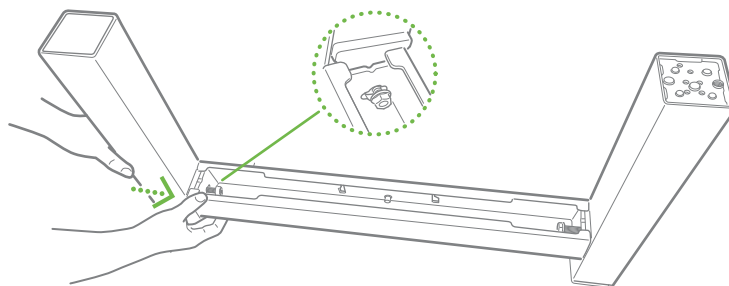
- 1.1. Mount the M8 x 40 mm threaded pins in the bench brackets on the columns.
- 1.2. Use a screwdriver to fasten the pins (max. torque 2 Nm).



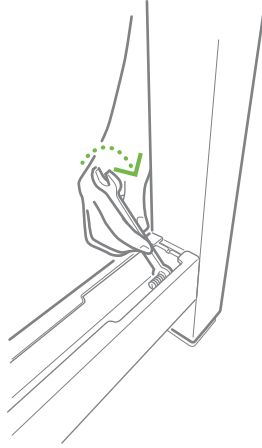
- 1.3. Mount a hex flange nut on each pin.



- 1.4. Place the cross members on the pins using the guiding holes in the cross members. The opening in the cross member must face upwards.



- 1.5. Fasten the hex flange nuts by hand and tighten them using an M8 wrench (max. torque 16 Nm).



The bench system is now assembled.

## Bench accessories

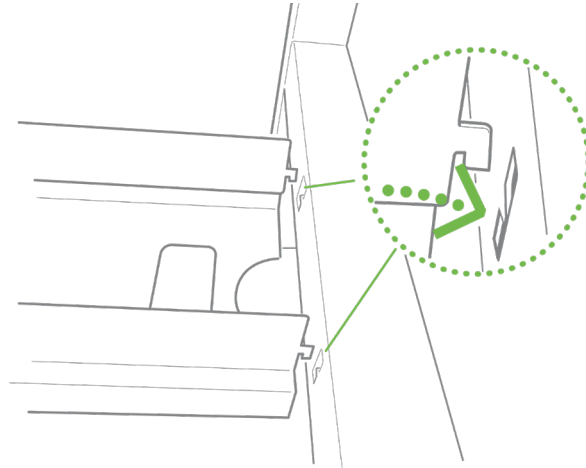
### Cable tray

A cable tray can be mounted in a bench system to ease cable management.

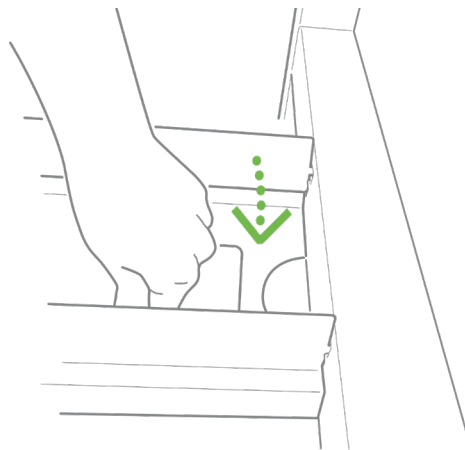


Be careful not to squeeze cable or fingers when adjusting the cable tray length.

1. Place the hooks on the cable tray bottom part in the slots on one of the cross members.



2. Press down until a click is heard and the cable tray is fixed in place.



3. Extend the cable tray to fit the distance between the cross members and mount the cable tray on the other cross member.
4. Extend the cable tray top part to fit the bottom part length and place the top part on the bottom part.

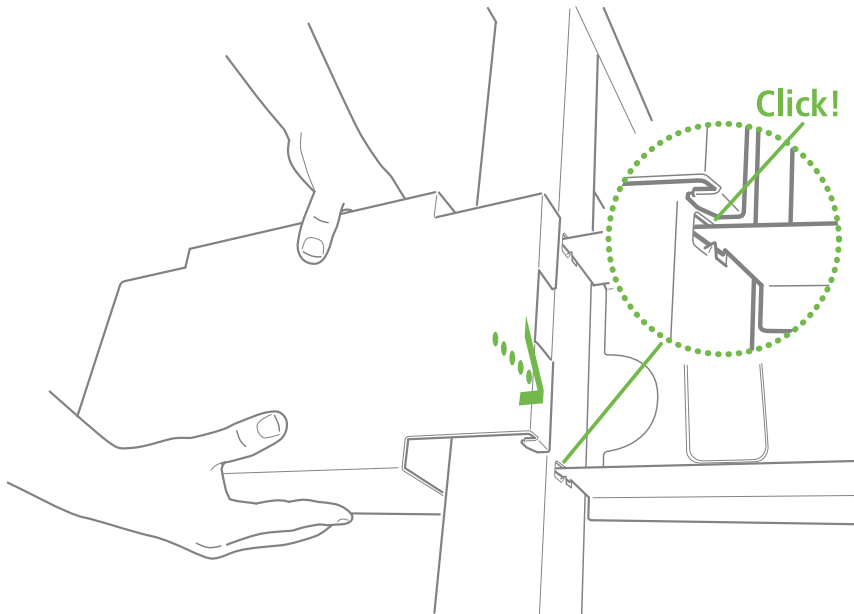


Do not use the cable tray as a foot rest, a stair, or a shelf. There is a risk of falling down and getting squeezed or injured.

## Bridge

For connecting multiple bench systems, use a bridge.

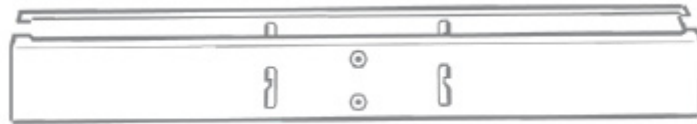
1. Place the bridge on top of the cross member on two bench systems and press down until a click is heard.



The two bench systems are now connected.

## Privacy screen

The cross members have two M6 holes for mounting a privacy screen between two benched desks.



Max. torque: 10 Nm.

## Operation



This document describes the installation of the top frame. For more information on the installation of the desk panel/control and on the operation of the system, please refer to the relevant desk panel/control User Manual which is available here:

- [Desk panels/controls](#) (DPA, DPB, DPF, DP1CS, DPH, DPT, and BP10)
- [Desk Panel DPG](#)
- [Desk Panel DPI](#)

## Troubleshooting/FAQs

### FAQs

Question	Answer
Where can customers find more information on how to assemble the DF5?	Via the Assembly Instruction in the box. Via the QR code on the packaging that links to an assembly video on vimeo.

# Contacts

## FACTORIES

Denmark - Headquarters  
 LINAK A/S  
 Phone: +45 73 15 15 15  
 Fax: +45 74 45 80 48  
 Fax (Sales): +45 73 15 16 13  
 Web: www.linak.com

China  
 LINAK (Shenzhen) Actuator Systems, Ltd.  
 Phone: +86 755 8610 6656  
 Phone: +86 755 8610 6990  
 Web: www.linak.cn

Slovakia  
 LINAK Slovakia s.r.o.  
 Phone: +421 51 7563 444  
 Web: www.linak.sk

Thailand  
 LINAK APAC Ltd.  
 Phone: +66 33 265 400  
 Web: www.linak.com

USA  
 LINAK U.S. Inc.  
 Americas Headquarters  
 Phone: +1 502 253 5595  
 Fax: +1 502 253 5596  
 Web: www.linak-us.com  
 www.linak-latinamerica.com

## SUBSIDIARIES

Australia  
 LINAK Australia Pty. Ltd  
 Phone: +61 3 8796 9777  
 Fax: +61 3 8796 9778  
 E-mail: sales@linak.com.au  
 Web: www.linak.com.au

Austria  
 LINAK Zweigniederlassung - Österreich (Wien)  
 Phone: +43 (1) 890 7446  
 Fax: +43 (1) 890 744615  
 E-mail: info@linak.de  
 Web: www.linak.at - www.linak.hu

Belgium  
 LINAK Actuator-Systems NV/SA  
 (Belgium & Luxembourg)  
 Phone: +32 (0)9 230 01 09  
 E-mail: beinfo@linak.be  
 Web: www.linak.be - www.fr.linak.be

Brazil  
 LINAK Do Brasil Comércio De Atuadores Ltda.  
 Phone: +55 (11) 2832 7070  
 Fax: +55 (11) 2832 7060  
 E-mail: info@linak.com.br  
 Web: www.linak.com.br

Canada  
 LINAK Canada Inc.  
 Phone: +1 502 253 5595  
 Fax: +1 416 255 7720  
 E-mail: info@linak.ca  
 Web: www.linak-us.com

Czech Republic  
 LINAK C&S s.r.o.  
 Phone: +42 058 174 1814  
 Fax: +42 058 170 2452  
 E-mail: info@linak.cz  
 Web: www.linak.cz - www.linak.sk

Denmark - International  
 LINAK International  
 Phone: +45 73 15 15 15  
 E-mail: info@linak.com  
 Web: www.linak.com

Denmark - Sales  
 LINAK Danmark A/S  
 Phone: +45 86 80 36 11  
 Fax: +45 86 82 90 51  
 E-mail: linak@linak-silkeborg.dk  
 Web: www.linak.dk

Finland  
 LINAK OY  
 Phone: +358 10 841 8700  
 E-mail: linak@linak.fi  
 Web: www.linak.fi

France  
 LINAK France E.U.R.L.  
 Phone: +33 (0) 2 41 36 34 34  
 Fax: +33 (0) 2 41 36 35 00  
 E-mail: linak@linak.fr  
 Web: www.linak.fr

Germany  
 LINAK GmbH  
 Phone: +49 6043 9655 0  
 Fax: +49 6043 9655 60  
 E-mail: info@linak.de  
 Web: www.linak.de

India  
 LINAK A/S India Liaison Office  
 Phone: +91 120 4531797  
 Fax: +91 120 4786428  
 E-mail: info@linak.in  
 Web: www.linak.in

Ireland  
 LINAK UK Limited (Ireland)  
 Phone: +44 (0)121 544 2211  
 Fax: +44 (0)121 544 2552  
 +44 (0)796 855 1606 (UK Mobile)  
 +35 387 634 6554 (Rep.of Ireland Mobile)  
 E-mail: sales@linak.co.uk  
 Web: www.linak.co.uk

Italy  
 LINAK ITALIA S.r.l.  
 Phone: +39 02 48 46 33 66  
 Fax: +39 02 48 46 82 52  
 E-mail: info@linak.it  
 Web: www.linak.it

Japan  
 LINAK K.K.  
 Phone: 81-45-533-0802  
 Fax: 81-45-533-0803  
 E-mail: linak@linak.jp  
 Web: www.linak.jp

Malaysia  
 LINAK Actuators Sdn. Bhd.  
 Phone: +60 4 210 6500  
 Fax: +60 4 226 8901  
 E-mail: info@linak-asia.com  
 Web: www.linak.my

Netherlands  
 LINAK Actuator-Systems B.V.  
 Phone: +31 76 5 42 44 40 /  
 +31 76 200 11 10  
 E-mail: info@linak.nl  
 Web: www.linak.nl

New Zealand  
 LINAK New Zealand Ltd  
 Phone: +64 9580 2071  
 Fax: +64 9580 2072  
 E-mail: nzsales@linak.com.au  
 Web: www.linak.com.au

Norway  
 LINAK Norge AS  
 Phone: +47 32 82 90 90  
 E-mail: info@linak.no  
 Web: www.linak.no

Poland  
 LINAK Polska  
 LINAK Danmark A/S (Spółka Akcyjna)  
 Phone: +48 22 295 09 70 /  
 +48 22 295 09 71  
 E-mail: info@linak.pl  
 Web: www.linak.pl

Republic of Korea  
 LINAK Korea Ltd.  
 Phone: +82 2 6231 1515  
 Fax: +82 2 6231 1516  
 E-mail: info@linak.kr  
 Web: www.linak.kr

Slovakia  
 LINAK Slovakia S.R.O.  
 Phone: +421 51 7563 444  
 Web: www.linak.sk

Spain  
 LINAK Actuadores, S.L.u  
 Phone: +34 93 588 27 77  
 Fax: +34 93 588 27 85  
 E-mail: esma@linak.es  
 Web: www.linak.es

Sweden  
 LINAK Scandinavia AB  
 Phone: +46 8 732 20 00  
 Fax: +46 8 732 20 50  
 E-mail: info@linak.se  
 Web: www.linak.se

Switzerland  
 LINAK AG  
 Phone: +41 43 388 31 88  
 E-mail: info@linak.ch  
 Web: www.linak.ch - www.fr.linak.ch  
 www.it.linak.ch

Taiwan  
 LINAK (Shenzhen) Actuator systems Ltd.  
 Taiwan Representative office  
 Phone: +886 2 272 90068  
 Fax: +886 2 272 90096  
 E-mail: sales@linak.com.tw  
 Web: www.linak.com.tw

Turkey  
 LINAK İth. İhr. San. ve Tic. A.Ş.  
 Phone: +90 312 4726338  
 Fax: +90 312 4726635  
 E-mail: info@linak.com.tr  
 Web: www.linak.com.tr

United Kingdom  
 LINAK UK Limited  
 Phone: +44 (0)121 544 2211  
 Fax: +44 (0)121 544 2552  
 E-mail: sales@linak.co.uk  
 Web: www.linak.co.uk

## DISTRIBUTORS

Argentina  
 Novotec Argentina SRL  
 Phone: 011-4303-8989 / 8900  
 Fax: 011-4032-0184  
 E-mail: info@novotecargentina.com  
 Web: www.novotecargentina.com

Colombia  
 MEM Ltda  
 Phone: +[57] (1) 334-7666  
 Fax: +[57] (1) 282-1684  
 E-mail: servicioalcliente@memltda.com.co  
 Web: www.mem.net.co

India  
 Mechatronics Control Equipments India Pvt Ltd  
 Phone: +91-44-28558484, 85  
 E-mail: bala@mechatronicscontrol.com  
 Web: www.mechatronicscontrol.com

Indonesia  
 PT. Himalaya Everest Jaya  
 Phone: +6 221 544 8956 /+6 221 544 8965  
 Fax: +6 221 619 1925  
 Fax (Sales): +6 221 619 4658  
 E-mail: hejplastic-div@centrin.net.id  
 Web: www.hej.co.id

Israel  
 NetivTech LTD  
 Phone: +972 55-2266-535  
 Fax: +972 2-9900-560  
 Email: info@NetivTech.com  
 Web: www.netivtech.com

Singapore  
 Servo Dynamics Pte Ltd  
 Phone: +65 6844 0288  
 Fax: +65 6844 0070  
 E-mail: servodynamics@servo.com.sg

South Africa  
 Industrial Specialised Applications CC  
 Phone: +27 011 466 0346  
 E-mail: gartht@isagroup.co.za  
 Web: www.isaza.co.za

United Arab Emirates  
 Mechatronics  
 Phone: +971 4 267 4311  
 Fax: +971 4 267 4312  
 E-mail: mechtron@emirates.net.ae

## Terms of use

LINAK® takes great care in providing accurate and up-to-date information on its products. However, the user is responsible for determining the suitability of LINAK products for a specific application. Due to continual development, LINAK products are subject to frequent modifications and changes. LINAK reserves the rights to conduct modifications, updates, and changes without any prior notice. For the same reason, LINAK cannot guarantee the correctness and actual status of imprinted information on its products.

LINAK uses its best efforts to fulfil orders. However, for the reasons mentioned above, LINAK cannot guarantee availability of any particular product at any given time. LINAK reserves the right to discontinue the sale of any product displayed on its website or listed in its catalogues or in other written material created and produced by LINAK, LINAK subsidiaries, or LINAK affiliates. All sales are subject to the 'Standard Terms of Sale and Delivery for LINAK A/S' available on LINAK websites. LINAK and the LINAK logotype are registered trademarks of LINAK A/S. All rights reserved.