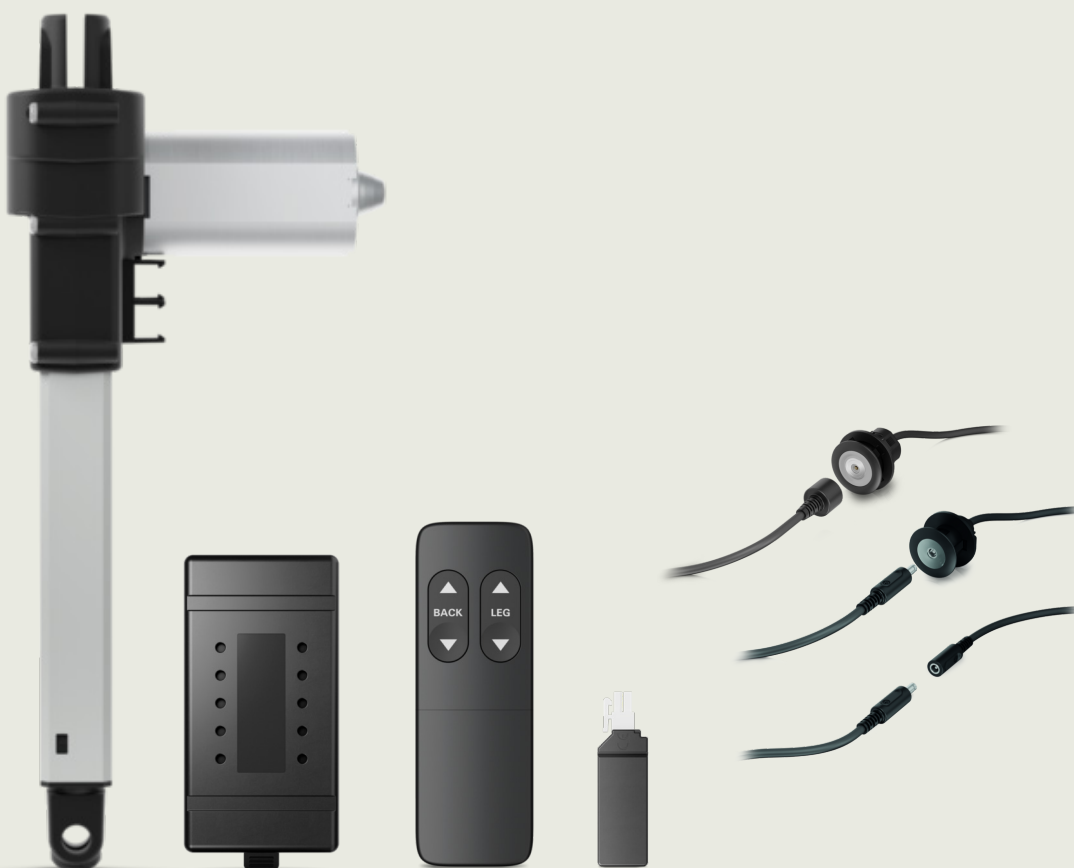


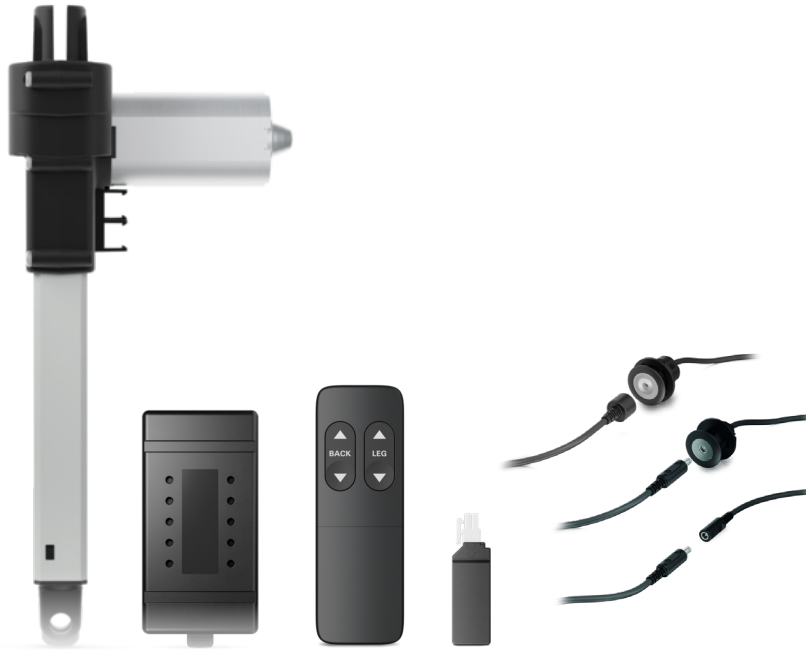
LA10 Recliner system

Data Sheet



Contents

Features/Options/Compatibility/Usage	4
Linear Actuator LA10	4
Bluetooth® dongle	6
Control Unit BP10.....	7
Charging Point CP001/CP002/CP003.....	9
Battery Box BA002	10
Ordering	12
Customer ID	13
Dimension drawings	15
Linear Actuator LA10.....	15
Bluetooth® dongle	16
Control Unit BP10.....	17
Charging Point CP002/CP003.....	21
Battery Box BA002	22



The LA10 Recliner system consists of one or more Linear Actuators LA10, a Bluetooth® dongle, a control unit, and a charging point. The solution is designed for adjustable recliner chairs and meets user requirements for fewer cables in the system. The Bluetooth® dongle ensures the wireless connection to the control unit, which is a wireless control placed in a bracket. To complete the design, the charging point is available in different versions. The entire system is designed to meet user preferences and to fit the elegant design of modern living-room furniture. In the newest system, the Battery Box BA002 offers a powerful solution without a cable permanently connected to the application.

The Bluetooth® word mark and logos are registered trademarks owned by Bluetooth SIG Inc. and any use of such marks and logos by LINAK AIS is under license.

Features/Options/Compatibility/Usage

Linear Actuator LA10



Features

- 18 to 31 V DC supply with DC cable
- Max load:
 - 4 mm spindle pitch
Push: 3500 N
Pull: 2500 N
 - 6 mm spindle pitch
Push: 2000 N
Pull: 2000 N
- Max. speed: 16 mm/s
- Max. spindle pitch: 6 mm
- Compact design
- Stroke length:
min. 25 mm
max. 300 mm
- Installation dimension: stroke + 128 mm
 - Maximum tolerance: 1 mm
- Adjustable BID
 - Up to 2 mm longer
- Weight: Approximately 1 kg.
- Piston rod eye aligns with back fixture direction (adjustable to 45° or 135°)
- Colour: Black (RAL 9005)
- PVC-Free™

Options

- Various pre-set back fixture directions (0°, 45°, 90°, or 135°)
- Mechanical spline
- Customer ID

Compatibility

- SMPS001*, SMPS006 and SMPS007

*: Only SMPS001 devices produced after 7 August 2020 are compatible with the system. The production date is stated as part of the PO number on the label (the last six digits - YYMMDD. For example, PO20119727CY20080Z means the production date is 7 August 2020.

SMPS Data Sheets

SMPS001 = 230 V version ([link](#))

SMPS006 = Universal input 100 to 240 V version ([link](#))

SMPS007 = 120 V version ([link](#))

Usage

- Duty cycle: 10 % \approx 1 minutes at continuous use followed by 9 minutes pause
- For indoor use in dry locations

Parameter	Operation	Storage and transportation
Temperature	5 to 40 °C	-10 to +50 °C
Relative humidity	20% to 80% - non-condensing	20% to 80% - non-condensing
Atmospheric pressure	800 to 1060 hPa	700 to 1060 hPa
Altitude	Max. 2000 m	N/A

- Complies with EN 60335-1

Bluetooth® dongle

In case you have an LA10 system without battery, the Bluetooth® dongle is the “brain” of your system and allows you to adjust your product wirelessly from an app or a Bluetooth® hand control. Simply plug the dongle into one of the actuators and pair your device to the system.

The dongle is a very compact unit requiring a minimum of space. No mounting is needed, just plug in the dongle and you are ready.



Features

- Bluetooth® Low Energy Technology (Version 4.0 of the Bluetooth® specification)
- Compact
- Simple plug-in, no mounting required
- Easy pairing
- PVC-free™
- Up to four favourite positions
- Weight: Approximately 15 g

Compatibility

- HOMELINE® wireless hand controls

Usage

- For indoor use in dry locations

Parameter	Operation	Storage and transportation
Temperature	5 to 40 °C	-10 to +50 °C
Relative humidity	20% to 80% - non-condensing	20% to 80% - non-condensing
Atmospheric pressure	800 to 1060 hPa	700 to 1060 hPa
Altitude	Max. 2000 m	N/A

- Complies with EN 60335-1

Control Unit BP10

The Control Unit BP10 product series is designed for the control of recliner chairs with the LA10 system. The control unit is a small hand-held control which can optionally be placed in a bracket in the recliner chair and used as a panel. The control unit is available in three different version - BP11, BP12 and BP13 - controlling 1, 2 or 3 channels, respectively.

The Control Unit BP10 product series combines ergonomic design and functionality into a user-friendly control with intuitive buttons.



BP11



BP12



BP13 (recliner)



BP10 bracket

Features

- Control unit controlling up to three channels
- Ergonomic and elegant design
- Magnetic
- Intuitive use
- Replaceable CR2032 battery
- PVC-Free™
- Weight: Approximately 50 g
- Sleep mode
- Power-saving mode



Sleep mode:

When no key is pressed, the control unit will enter sleep mode 5 seconds after last operation.



Power-saving mode:

If a key (or a key combination) is pressed for more than 2 minutes, the control unit enters power-saving mode even if the control unit at that time is connected to a system. When this happens, the control unit will disconnect from the system (if connected) and enter a power-saving mode where the keys are scanned every 500 ms for changes (the control unit is sleeping the rest of the time). This is done to conserve power if a key becomes stuck during transportation. The power-saving mode is left when all keys are released.

Options

- Customised silk screen print on cover
- Customised colour
- Customised logo on battery cover

Compatibility

- All HOMELINE® products with integrated Bluetooth®

Accessory

- Bracket

Usage

- For indoor use in dry locations

Parameter	Operation	Storage and transportation
Temperature	5 to 40 °C	-10 to +50 °C
Relative humidity	20% to 80% - non-condensing	20% to 80% - non-condensing
Atmospheric pressure	800 to 1060 hPa	700 to 1060 hPa
Altitude	Max. 2000 m	N/A

- Complies with EN 60335-1
- Complies with UL 4200A

Charging Point CP001/CP002/CP003

The Charging Point is the connection between power and your application. It is designed to fit into all designs and comes in three different versions: CP001, CP002, and CP003.

The CP001 is a simple cable with a jack plug that gets connected directly to the power cable. This charging point is very discreet and compact.

The CP002 also comes with a jack plug and has a light indicator that lights up when the system is connected to power.

The CP003 is a magnetic charging point that has a light indicator which lights up when the system is connected to power. The magnetic function protects the application by snapping apart if the charging cable is being pulled.

The Charging Points CP001, CP002 and CP003 are designed for an intuitive use when connecting your application to power.

A safety release cable is optional for CP001 and CP002. It protects the application by snapping apart if the charging cable is being pulled.



CP001



CP002



CP003

Features

- Three versions: Simple, Basic, and Magnetic
- Easy to mount, no screws required
- LED light indicator (CP002 and CP003)
- PVC-Free™
- Weight:
 - CP001: Approximately 30 g
 - CP002: Approximately 45 g
 - CP003: Approximately 60 g

Options

- Safety release cable (for CP001 and CP002)
- Different charging point options

Compatibility

- SMPS001, SMPS006 and SMPS007

Usage

- For indoor use in dry locations

Parameter	Operation	Storage and transportation
Temperature	5 to 40 °C	-10 to +50 °C
Relative humidity	20% to 80% - non-condensing	20% to 80% - non-condensing
Atmospheric pressure	800 to 1060 hPa	700 to 1060 hPa
Altitude	Max. 2000 m	N/A

- Complies with EN 60335-1 (CP001 and CP002)

Battery Box BA002

With the new Battery Box BA002, LINAk has developed a reliable and compact battery solution for HOMELINE® systems based on PLC (Power Line Communication).

A battery is the perfect solution for applications in which an aesthetically pleasing appearance is disturbed by a mains cable.

The BA002 with integrated Bluetooth® is a high-performance lithium-ion battery with a capacity of 2.5 Ah. An audio alarm indicates low battery. The BA002 is a very compact unit. Optionally a battery bracket can be ordered for easy mounting of the battery.



Features

- Compact unit for easy handling and installation
- BA002 featuring high quality, rechargeable Li-ion battery cells
- Audio alarm when charging is needed
- Running immediately after power connection (SW ver. 1.06 and newer)
- Thermal switch protection, over-current protection
- Bluetooth® Low Energy Technology (Version 4.0 of the Bluetooth® specification)
- Colour: black
- Battery capacity: 2.5 Ah / 36 Wh
- Nominal voltage: 29 V
- Discharge current: 6 A (max)
- Maximum charging voltage: 32 V DC
- Charging current: 1.3 A
- Weight: 550 g



BA002 with SW ver. 1.06 is delivered from factory as of 21 August 2023.

Options

- Mounting bracket for easy mounting/demounting (must be ordered separately)

Compatibility

- HOMELINE systems using PLC (Power Line Communication)

Usage

- For indoor use in dry locations

Parameter	Operation	Storage and transportation
Temperature	5 to 40 °C	0 to 45 °C
Relative humidity	20% to 80% - non-condensing	20% to 80% - non-condensing
Atmospheric pressure	800 to 1060 hPa	700 to 1060 hPa
Altitude	Max. 2000 m	N/A

- Approved in accordance with:
 - EN 62133-2 (Battery safety testing)
 - UL 1642 (Lithium cells, standard test)
 - UN 38.3 (transportation of Lithium batteries)

LINAK® will remedy defective Li-Ion batteries built into LINAK products in accordance with the terms stipulated in the LINAK Li-Ion battery disclaimer available on the LINAK website. LINAK explicitly disclaims all other remedies and liability.

Ordering

ACTUATOR TYPE	10	10 = LA10
SPINDLE PITCH	040	040 = 4 mm 060 = 6 mm
STROKE LENGTH	XXX	XXX = xxx mm (INSTALLATION DIMENSION - 128 mm) ¹
SAFETY	00	00 = Standard 0D = Mechanical spline
FEEDBACK	00	00 = PLC HOMELINE
PLATFORM	0	0 = Standard
MOTOR TYPE	B	B = 24 V DC Normal
OPTION	0	0 = Standard
IP	0	0 = None
COLOUR	-	- = Black (RAL 9005)
INSTALLATION DIMENSION *	XXX	XXX = xxx mm ²
BACK FIXTURE DIRECTION **	2	1 = Standard 0° 2 = Turned 90° 3 = Turned 45° 4 = Turned 135°
BACK FIXTURE	1	1 = Slot Ø8.2 2 = Slot Ø10.2 3 = Slot Ø12.2
PISTON ROD	1	1 = Plastic with slot Ø8.2 2 = Plastic with slot Ø10.2
BRAKE	0	0 = No brake
CONFIGURE FOR SW	0A	0A = Standard configuration 0B = Special configuration ³
OPTION	0	0 = Standard
OPTION	0	0 = Standard
FIRE CATEGORY	1	1 = 5 VA
CUSTOMER ID ***	0	0 = None 1 = Customer ID

10040XXX00000B00-XXX21100A0010

*: See table below

** : See photos below

*** : See description below

¹: 4 mm pitch: Min. 25 mm, Max. 200 mm
6 mm pitch: Min. 25 mm, Max. 300 mm

²: 4 mm pitch: Min. 153 mm, Max. 328 mm
6 mm pitch: Min. 153 mm, Max. 428 mm

³: Remember to attach a configuration file when ordering a special item via system spec.

Installation dimension [mm]	153	165	188	193	220	228	263	270	278
Stroke length [mm]	25	37	60	65	92	100	135	142	150

An actuator with a different installation dimension than the ones mentioned in the table above requires a minimum order quantity of 2,500 pcs/year. The stroke length can be configured individually to a shorter length.



0°



45°



90°



135°

Additional items, cables, and SMPS must be ordered separately.

Customer ID

The LA10 can be ordered with a Customer ID — a unique identifier that links the actuator to a specific customer's app. This ensures that the actuator only pairs with the corresponding branded app and prevents the use of apps from other manufacturers.

Additional items for the LA10 system

Name	Item number	Description
Bluetooth® dongle	BLE2DC000	Dongle for wireless connection to the control unit
BP11	BP11BL0000	Control unit, 1 channel
BP12	BP12BL0001	Control unit, 2 channels
BP13	BP13BL0000	Control unit with home button, 3 channels
Bracket for BP10	MB001	Bracket with metal plate
	MB002	Metal plate for under-cover mounting
Charging point	CP001-0500	Simple charging point with Jack connector; length 500 mm
	CP002-0500	Basic charging point with Jack connector and light; length 500 mm
	CP003-0500	Magnetic charging point with magnetic connector and light; length 500 mm
BA002	BA002100	Battery box
Bracket for BA002	BA002_bracket	Mounting bracket for easy mounting/demounting of BA002

Minimum order quantity (MOQ) for control units (BP11, BP12 and BP13):

- Standard articles: 80 pieces (≈ one box)
- Special articles: 400 pieces (always in multiples of 80 pieces)
- Top part, top cover, and/or battery cover in custom colours: 1040 pieces (always in multiples of 80 pieces)

Cables for the LA10 system

Name	Item number	Description	Length
Safety release cable	CAB1059W7007	Black	250 mm
Connection cable	CAB0965362-400	Black; 2-pole mini-fit cable with angle plug in both ends	400 mm
Connection cable	CAB0965362-800	Black; 2-pole mini-fit cable with angle plug in both ends	800 mm
USB2DC	USB2DC001	USB2DC cable for configuration of products	1800 mm + 100 mm
Charging cable for CP001/CP002	CAB1059W7010	Black	2500 mm
Charging cable for CP003	CAB1059W7012	Black; angled	2500 mm
	CAB1059W7014	Black; straight	2500 mm
ClearLine cable for maintaining signal strength	CAB1036W7004	Black; 2-pole mini-fit with straight plug in both ends	200 mm
2-poled DC cable	CAB0705873-1800	Black; 2-pole mini-fit cable with angle plug in both ends	1800 mm
T-splitter cable	CAB0705887	Black; T-splitter cable for 2-pole mini-fit cables with straight plug in both ends	300 mm

Dimension drawings



All dimensions are in mm.

Linear Actuator LA10

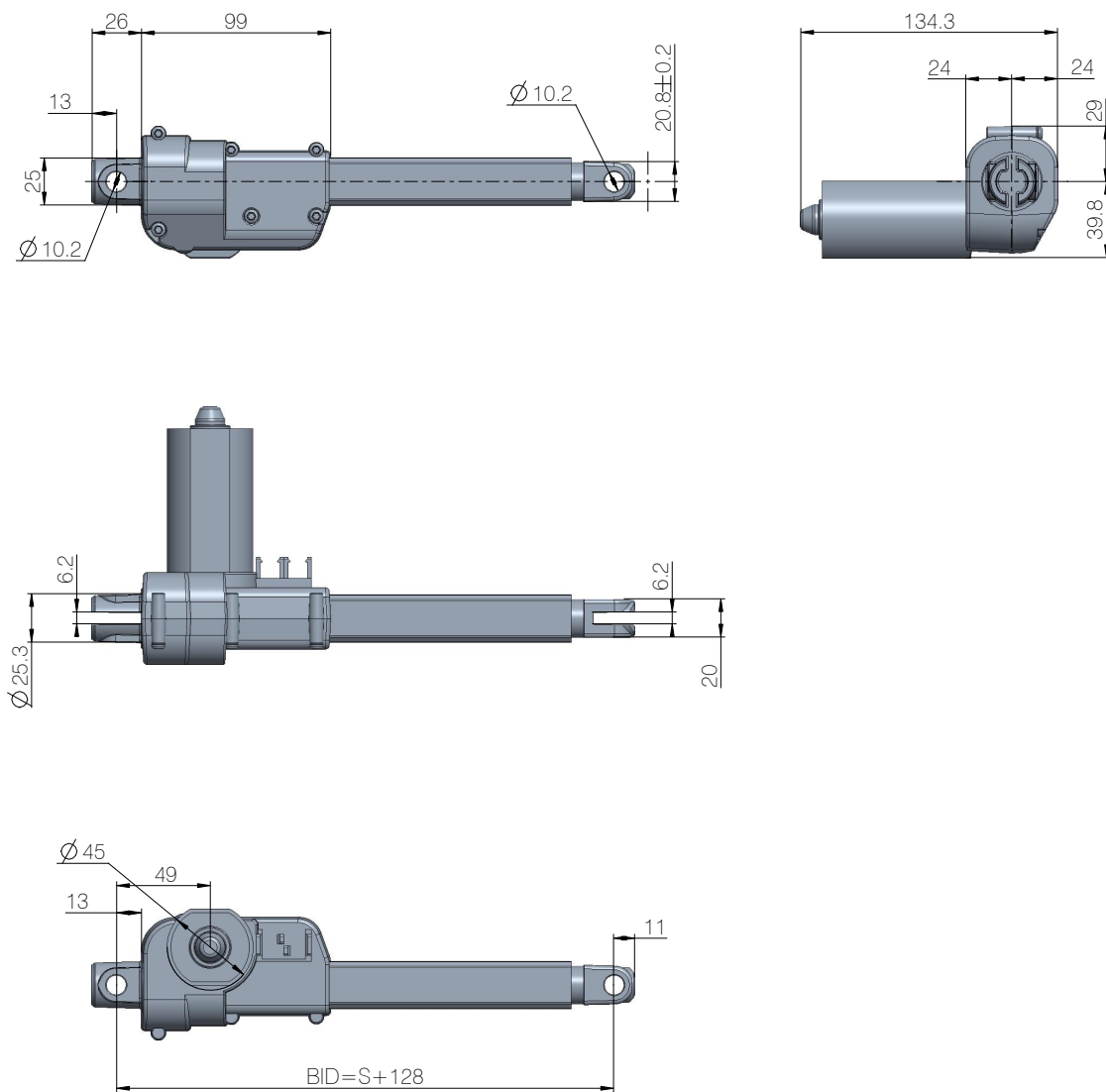


Figure 1 LA10

Drawing no. 1036W4000

Bluetooth® dongle

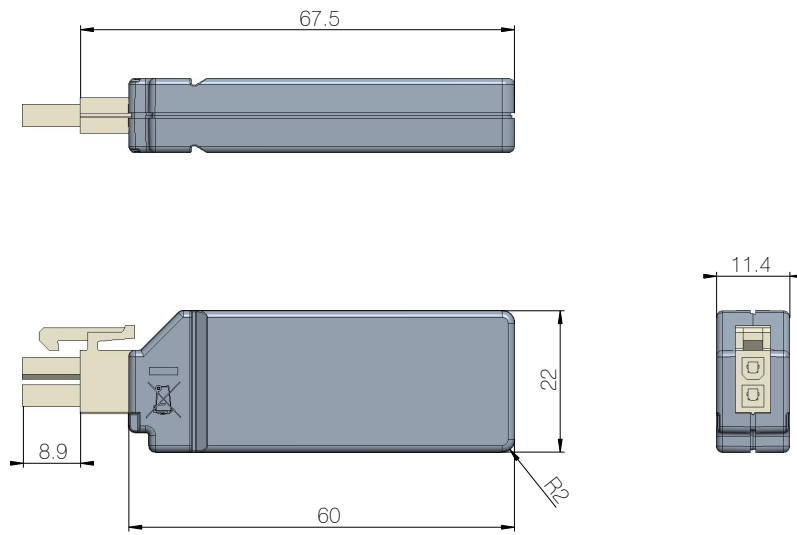


Figure 2 Bluetooth® dongle

Drawing no. 1057W4004

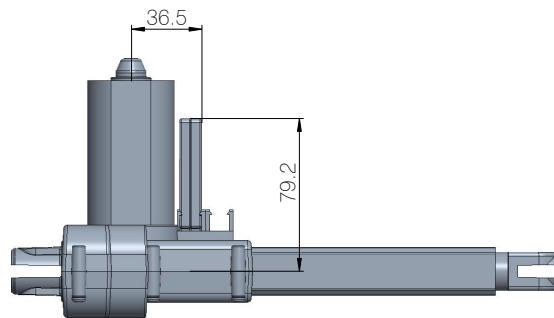


Figure 3 Bluetooth® dongle mounted in the LA10

Drawing no. 1036W4000

Control Unit BP10

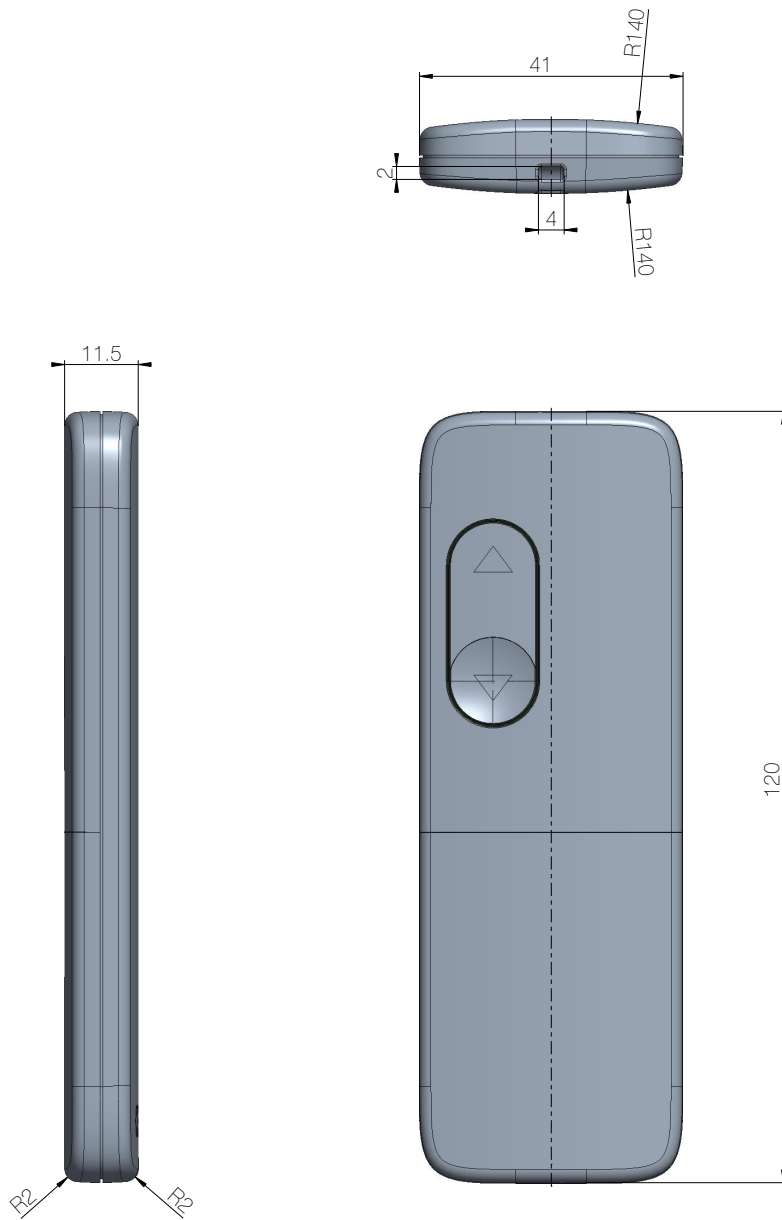


Figure 4 BP11

Drawing no. 1055W4009

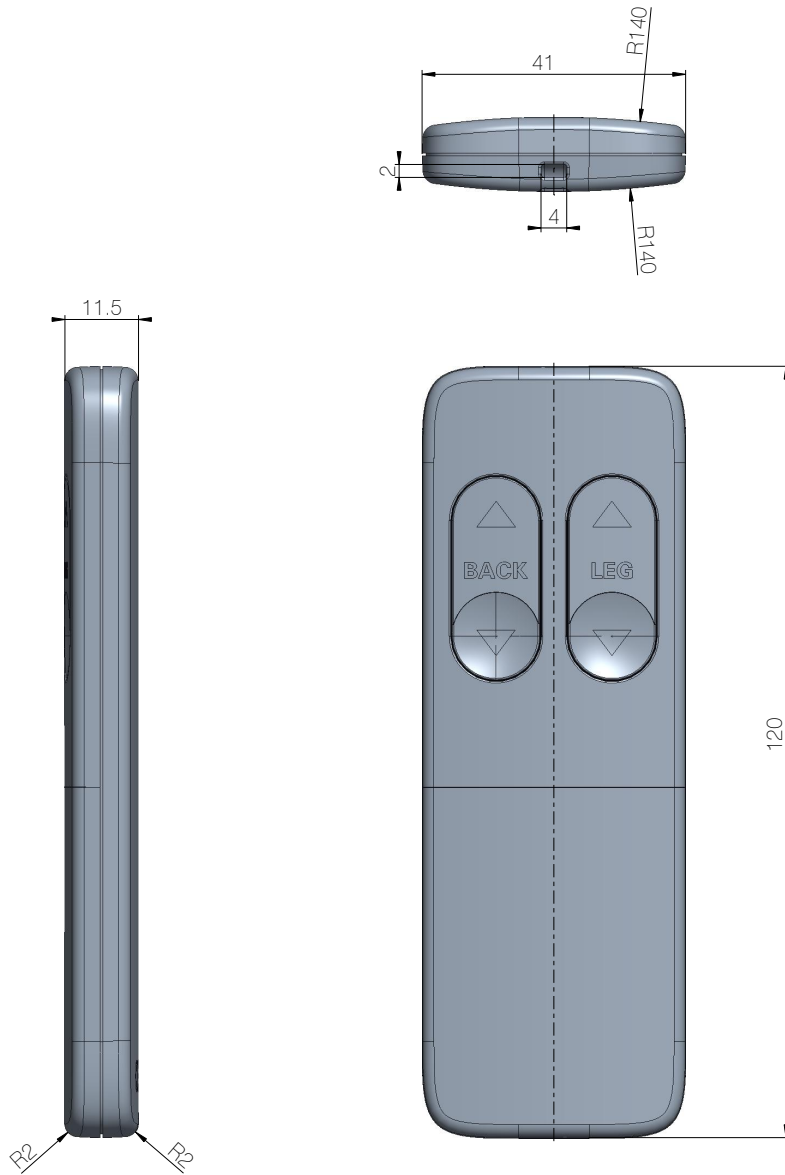


Figure 5 BP12

Drawing no. 1055W4006

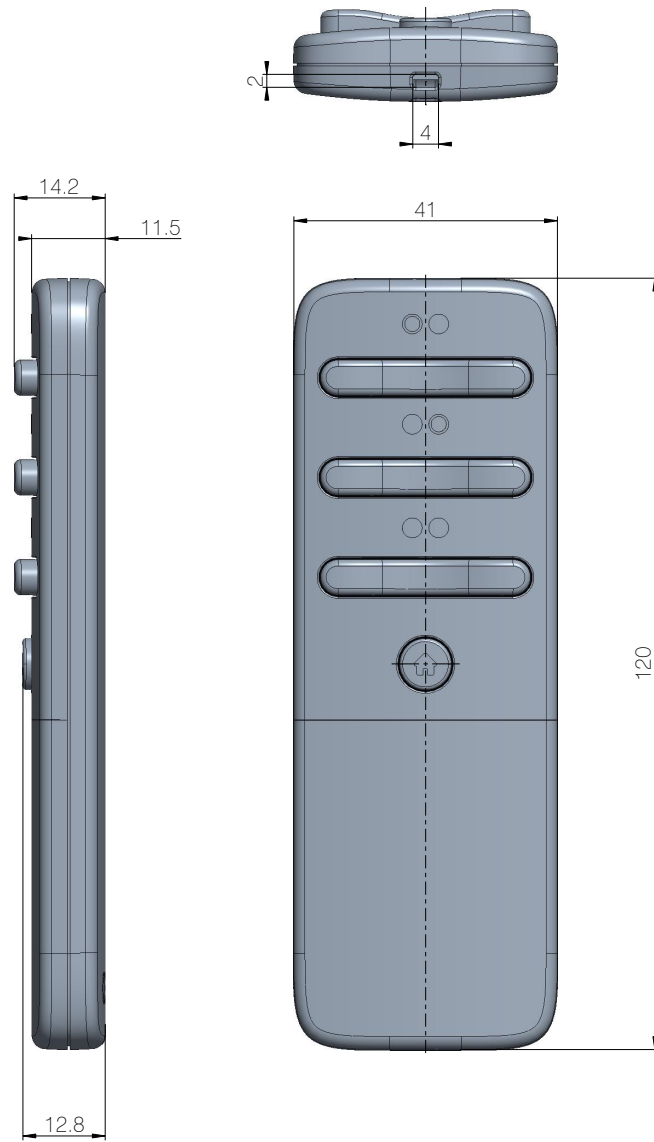


Figure 6 BP13 Recliner

Drawing no. 1055W4015

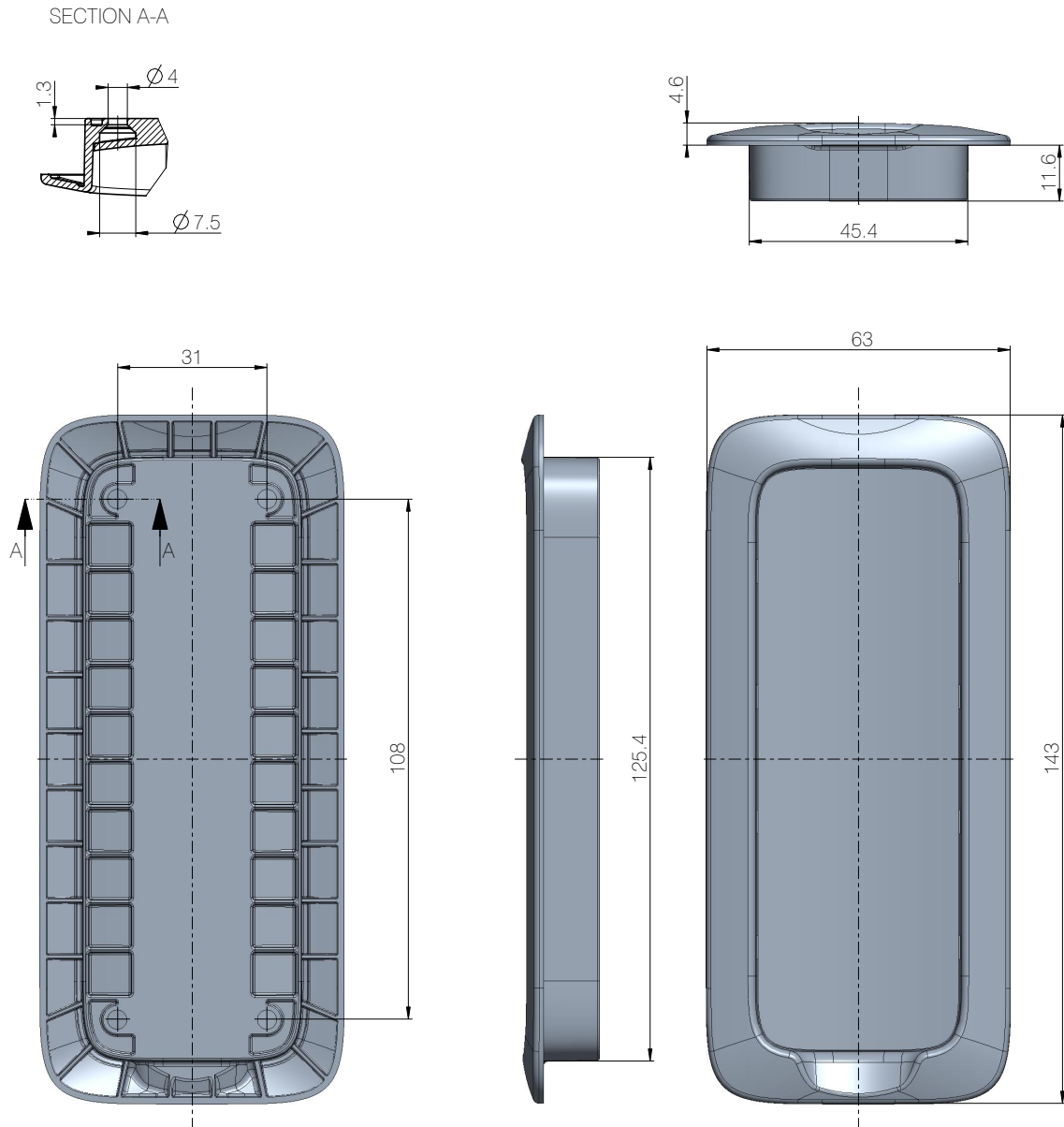


Figure 7 Bracket for the BP10 series

Drawing no. 1055W4008

Battery Box BA002

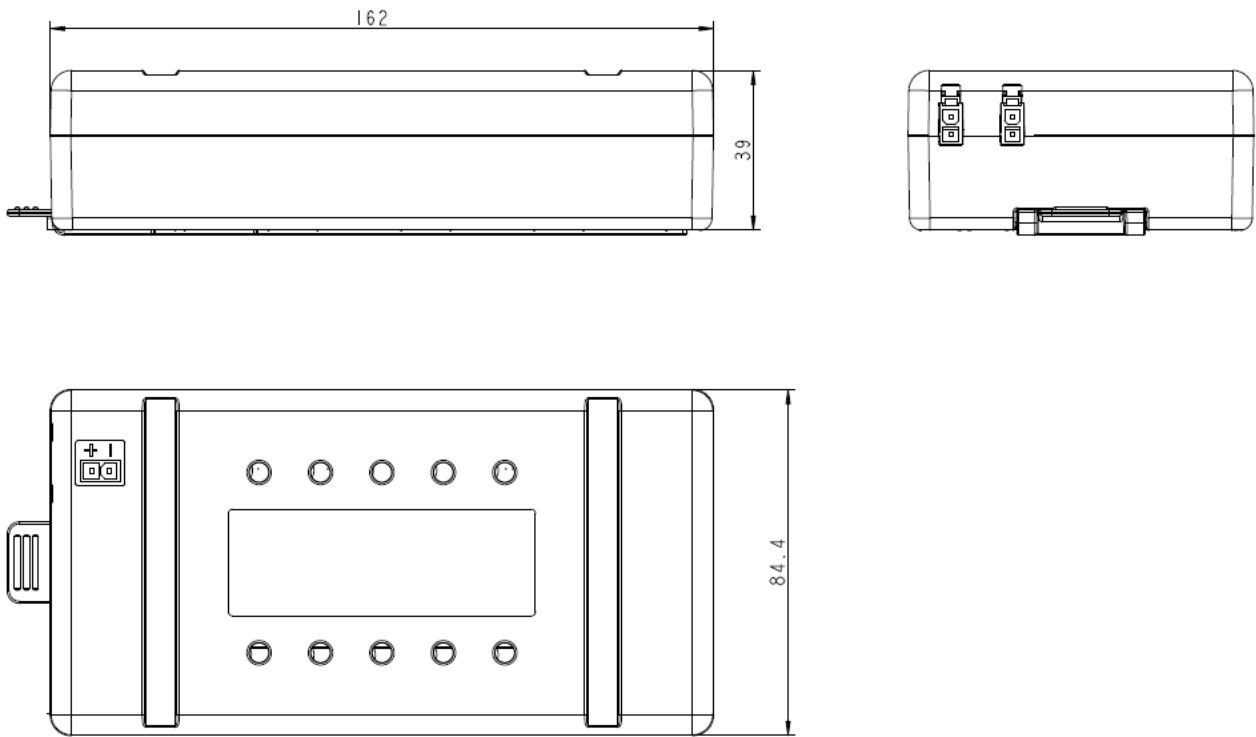


Figure 10 BA002

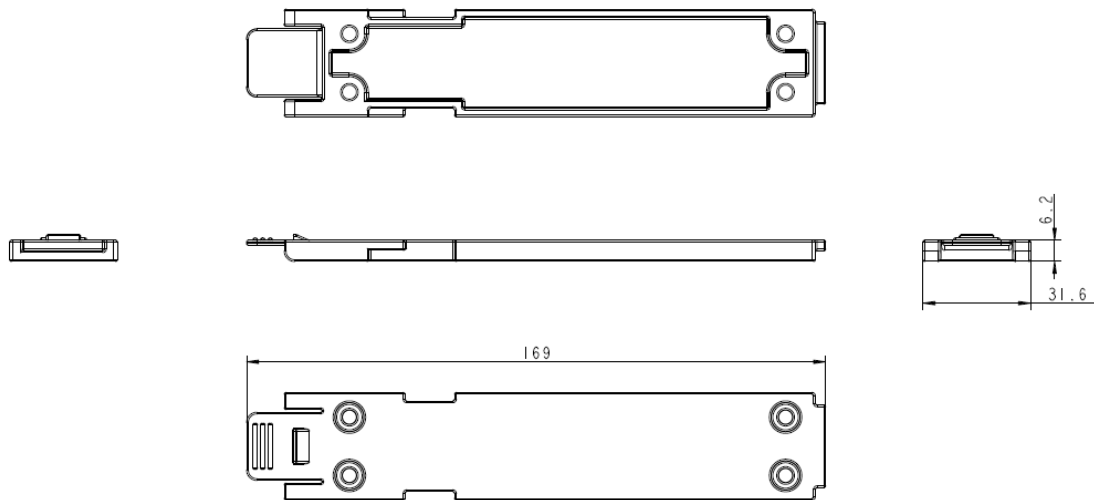


Figure 11 BA002 mounting bracket

Contacts

FACTORIES

Denmark - Headquarters

LINAK A/S
Phone: +45 73 15 15 15
Fax: +45 74 45 80 48
Fax (Sales): +45 73 15 16 13
Web: www.linak.com

China

LINAK (Shenzhen) Actuator Systems, Ltd.
Phone: +86 755 8610 6656
Phone: +86 755 8610 6990
Web: www.linak.cn

Slovakia

LINAK Slovakia s.r.o.
Phone: +421 51 7563 444
Web: www.linak.sk

Thailand

LINAK APAC Ltd.
Phone: +66 33 265 400
Web: www.linak.com

USA

LINAK U.S. Inc.
Americas Headquarters
Phone: +1 502 253 5595
Fax: +1 502 253 5596
Web: www.linak-us.com
www.linak-latinamerica.com

SUBSIDIARIES

Australia

LINAK Australia Pty. Ltd
Phone: +61 3 8796 9777
Fax: +61 3 8796 9778
E-mail: sales@linak.com.au
Web: www.linak.com.au

Austria

LINAK Zweigniederlassung - Österreich (Wien)
Phone: +43 (1) 890 7446
Fax: +43 (1) 890 744615
E-mail: info@linak.de
Web: www.linak.at - www.linak.hu

Belgium

LINAK Actuator-Systems NV/SA
(Belgium & Luxembourg)
Phone: +32 (0)9 230 01 09
E-mail: beinfo@linak.be
Web: www.linak.be - www.fr.linak.be

Brazil

LINAK Do Brasil Comércio De Atuadores Ltda.
Phone: +55 (11) 2832 7070
Fax: +55 (11) 2832 7060
E-mail: info@linak.com.br
Web: www.linak.com.br

Canada

LINAK Canada Inc.
Phone: +1 502 253 5595
Fax: +1 416 255 7720
E-mail: info@linak.ca
Web: www.linak-us.com

Czech Republic

LINAK C&S s.r.o.
Phone: +42 058 174 1814
Fax: +42 058 170 2452
E-mail: info@linak.cz
Web: www.linak.cz - www.linak.sk

Denmark - International

LINAK International
Phone: +45 73 15 15 15
E-mail: info@linak.com
Web: www.linak.com

Denmark - Sales

LINAK Danmark A/S
Phone: +45 86 80 36 11
Fax: +45 86 82 90 51
E-mail: linak@linak-silkeborg.dk
Web: www.linak.dk

Finland

LINAK OY
Phone: +358 10 841 8700
E-mail: linak@linak.fi
Web: www.linak.fi

France

LINAK France E.U.R.L.
Phone: +33 (0) 2 41 36 34 34
Fax: +33 (0) 2 41 36 35 00
E-mail: linak@linak.fr
Web: www.linak.fr

Germany

LINAK GmbH
Phone: +49 6043 9655 0
Fax: +49 6043 9655 60
E-mail: info@linak.de
Web: www.linak.de

India

LINAK A/S India Liaison Office
Phone: +91 120 4531797
Fax: +91 120 4786428
E-mail: info@linak.in
Web: www.linak.in

Ireland

LINAK UK Limited (Ireland)
Phone: +44 (0)121 544 2211
Fax: +44 (0)121 544 2552
+44 (0)796 855 1606 (UK Mobile)
+35 387 634 6554 (Rep.of Ireland Mobile)
E-mail: sales@linak.co.uk
Web: www.linak.co.uk

Italy

LINAK ITALIA S.r.l.
Phone: +39 02 48 46 33 66
Fax: +39 02 48 46 82 52
E-mail: info@linak.it
Web: www.linak.it

Japan

LINAK K.K.
Phone: 81-45-533-0802
Fax: 81-45-533-0803
E-mail: linak@linak.jp
Web: www.linak.jp

Malaysia

LINAK Actuators Sdn. Bhd.
Phone: +60 4 210 6500
Fax: +60 4 226 8901
E-mail: info@linak-asia.com
Web: www.linak.my

Netherlands

LINAK Actuator-Systems B.V.
Phone: +31 76 5 42 44 40 /
+31 76 200 11 10
E-mail: info@linak.nl
Web: www.linak.nl

New Zealand

LINAK New Zealand Ltd
Phone: +64 9580 2071
Fax: +64 9580 2072
E-mail: nzsales@linak.com.au
Web: www.linak.com.au

Norway

LINAK Norge AS
Phone: +47 32 82 90 90
E-mail: info@linak.no
Web: www.linak.no

Poland

LINAK Polska
LINAK Danmark A/S (Spółka Akcyjna)
Phone: +48 22 295 09 70 /
+48 22 295 09 71
E-mail: info@linak.pl
Web: www.linak.pl

Republic of Korea

LINAK Korea Ltd.
Phone: +82 2 6231 1515
Fax: +82 2 6231 1516
E-mail: info@linak.kr
Web: www.linak.kr

Slovakia

LINAK Slovakia S.R.O.
Phone: +421 51 7563 444
Web: www.linak.sk

Spain

LINAK Actuadores, S.L.u
Phone: +34 93 588 27 77
Fax: +34 93 588 27 85
E-mail: esma@linak.es
Web: www.linak.es

Sweden

LINAK Scandinavia AB
Phone: +46 8 732 20 00
Fax: +46 8 732 20 50
E-mail: info@linak.se
Web: www.linak.se

Switzerland

LINAK AG
Phone: +41 43 388 31 88
Fax: +41 43 388 31 87
E-mail: info@linak.ch
Web: www.linak.ch - www.fr.linak.ch
www.it.linak.ch

Taiwan

LINAK (Shenzhen) Actuator systems Ltd.
Taiwan Representative office
Phone: +886 2 272 90068
Fax: +886 2 272 90096
E-mail: sales@linak.com.tw
Web: www.linak.com.tw

Turkey

LINAK İth. İhr. San. ve Tic. A.Ş.
Phone: +90 312 4726338
Fax: +90 312 4726635
E-mail: info@linak.com.tr
Web: www.linak.com.tr

United Kingdom

LINAK UK Limited
Phone: +44 (0)121 544 2211
Fax: +44 (0)121 544 2552
E-mail: sales@linak.co.uk
Web: www.linak.co.uk

DISTRIBUTORS

Argentina

Novotec Argentina SRL
Phone: 011-4303-8989 / 8900
Fax: 011-4032-0184
E-mail: info@novotecargentina.com
Web: www.novotecargentina.com

Colombia

MEM Ltda
Phone: +[57] (1) 334-7666
Fax: +[57] (1) 282-1684
E-mail: servicioalcliente@memltda.com.co
Web: www.mem.net.co

India

Mechatronics Control Equipments India Pvt Ltd
Phone: +91-44-28558484, 85
E-mail: bala@mechatronicscontrol.com
Web: www.mechatronicscontrol.com

Indonesia

PT. Himalaya Everest Jaya
Phone: +6 221 544 8956 /+6 221 544 8965
Fax: +6 221 619 1925
Fax (Sales): +6 221 619 4658
E-mail: hejplastic-div@centrin.net.id
Web: www.hej.co.id

Israel

NetivTech LTD
Phone: +972 55-2266-535
Fax: +972 2-9900-560
Email: info@NetivTech.com
Web: www.netivtech.com

Singapore

Servo Dynamics Pte Ltd
Phone: +65 6844 0288
Fax: +65 6844 0070
E-mail: servodynamics@servo.com.sg

South Africa

Industrial Specialised Applications CC
Phone: +27 011 466 0346
E-mail: gartht@isagroup.co.za
Web: www.isaza.co.za

United Arab Emirates

Mechatronics
Phone: +971 4 267 4311
Fax: +971 4 267 4312
E-mail: mechtron@emirates.net.ae

Terms of use

LINAK® takes great care in providing accurate and up-to-date information on its products. However, the user is responsible for determining the suitability of LINAK products for a specific application. Due to continual development, LINAK products are subject to frequent modifications and changes. LINAK reserves the rights to conduct modifications, updates, and changes without any prior notice. For the same reason, LINAK cannot guarantee the correctness and actual status of imprinted information on its products.

LINAK uses its best efforts to fulfil orders. However, for the reasons mentioned above, LINAK cannot guarantee availability of any particular product at any given time. LINAK reserves the right to discontinue the sale of any product displayed on its website or listed in its catalogues or in other written material created and produced by LINAK, LINAK subsidiaries, or LINAK affiliates. All sales are subject to the 'Standard Terms of Sale and Delivery for LINAK A/S' available on LINAK websites. LINAK and the LINAK logotype are registered trademarks of LINAK A/S. All rights reserved.



WE IMPROVE YOUR LIFE