

TECHLINE  
IMPROVING FLEXIBILITY

# Focus on Pergolas

[LINAK.COM/TECHLINE](http://LINAK.COM/TECHLINE)

**LINAK**   
WE IMPROVE YOUR LIFE

When partnering with LINAK® you get more than just a product in your hands. It is our goal to create added value to our customers by offering innovative solutions, extensive knowledge, world-class production and global presence.

Opening and closing  
Simple actuator movement  
for opening and closing the  
pergola blinds



# Understanding your needs

---

From small domestic pergolas to larger public pergola systems, LINAK® offers you high-quality electric actuator solutions - making your pergola system easy to use.

When your customers step into their pergola they look for easy regulation of the shading in order to increase comfort and wellbeing.

System solutions from LINAK TECHLINE® are userfriendly and fit for use in various weather conditions. Come snow, rain or sun, you can rely on the LINAK actuator to do the job.

With many years of experience, LINAK is an excellent choice when considering linear electric actuator solutions for optimal adjustment of pergola blinds.

## So what can LINAK offer you:

- Maintenance-free products that can withstand extreme weather conditions
- Low noise level
- Low power consumption
- Actuators that are easy and fast to operate by means of remote controls, app or switches
- Easy to install actuator solution that fits immediately into your application
- Precise positioning and accurate variable control over acceleration and velocity

## LINAK as your partner

We do not want to be merely another supplier to our customers. We want to be your partner.

It is important to us that your pergolas work relentlessly in all situations. All our actuators have been put through extensive testing so you can rest assured that your TECHLINE actuator solutions will do the job no matter what.

Furthermore, all members of the TECHLINE team of engineers and consultants have vast product and application expertise.

*“With many years of experience, LINAK is an excellent choice when considering linear electric actuator solutions for optimal adjustment of pergola blinds.”*

## LINAK offers service worldwide

Please contact your local LINAK office with your enquiry



# Explore the rich technology behind actuators

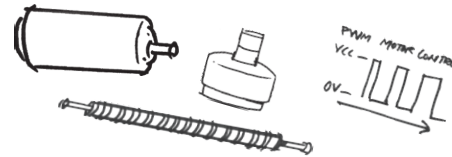
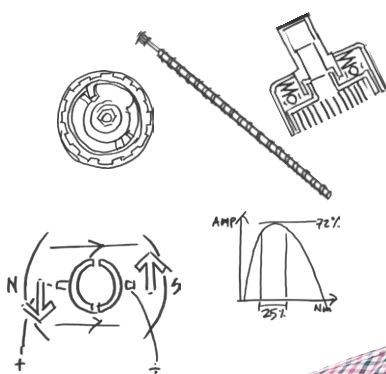


At the Actuator Academy™, you will find a library of videos and information about actuator components, actuator testing, and intelligent actuator control.

Find out what you should expect of a good industrial actuator, what affects its performance and efficiency, and how to best utilise your linear motion actuator.

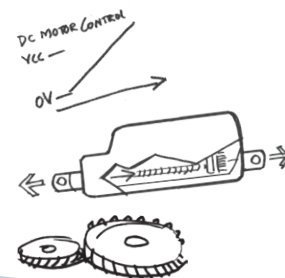
We hope to inspire you and ultimately make you wiser on the moving electric revolution we are all part of.

**Happy exploring!**

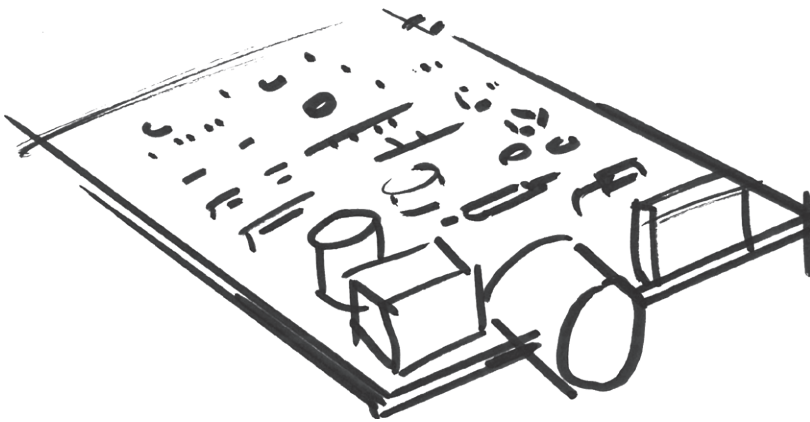


Check out the  
Actuator Academy

[LINAK.COM/  
ACTUATOR-ACADEMY](http://LINAK.COM/ACTUATOR-ACADEMY)



# Smart movement for pergolas



A LINAK® IC actuator with built-in controller reduces the number of external components and the need for a third-party supplier for power electronics.

It also offers a comprehensive range of interfaces and gives you access to productivity enhancing data - all delivered by a single supplier you can trust.

By helping you move smarter at every stage of your application process, from development, installation and integration to tailored movement and improved productivity, our IC actuators add value across the board.

## IC INTEGRATED CONTROLLER™

Choosing an IC actuator for your application is a smart move in many ways:

- Reduced complexity for faster development and production
- Flexible integration with a variety of industrial interfaces
- Data monitoring that minimise downtime and boost productivity
- Benefit from one single supplier



For more information on IC, please visit [LINAK.COM](http://LINAK.COM) or scan the QR code.



# Actuators for pergolas

---

LINAK® industrial actuators offer a versatile array of movement solutions for pergolas.

With **thrusts up to 15,000 N, max speeds up to 160 mm/s, and strokes between 20 and 999 mm**, the actuators are highly adaptable for a wide variety of applications.

Industrial actuators with **heavy-duty aluminium housings** are very suitable for use in corrosive environments. Having been thoroughly salt spray and chemical resistance tested and approved for ratings up to **IP66 and IP69K static**, these actuators will work reliably for years, even when exposed to salt, water, wind, and sun.

**Operating temperatures between -40°C to +85°C** make them fit for work in numerous settings.

Actuator LA25



Actuator LA23



Actuator LA14





Resting on the pillars of the LINAK values

---



QUALITY

Built by market leading experts, using state-of-the-art technologies and perfected production methods, you can expect the same quality worldwide.



INNOVATION

Innovation is in our core. We take the lead and have the courage to make it real.



RESPONSIBILITY

We are responsible in what we do – towards customers, employees and environment. Creating trust is a natural part of who we are.



LOCAL  
& GLOBAL

From global presence to local understanding. We believe in world-wide support and being close to our customers.

# Testing programme

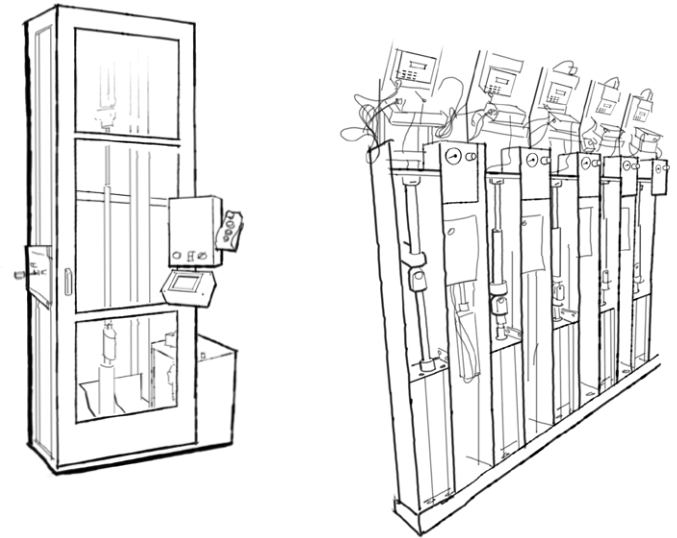
In each industrial application, the actuator is just one component of many, but at LINAK® we fully appreciate that it is of utmost importance to you and your customers. Not a single actuator leaves the factory until it has undergone a 100% function test.

Depending on the actuator type, various tests have been carried through. Please consult your local LINAK office or take a look at the actuator data sheet in question to get a thorough test overview.

This is your guarantee that a solution based on LINAK TECHLINE electric actuator systems is a solution that will work reliably for years and years.

“Our actuators must never malfunction. Therefore, it is important that all our products are tested inside and out, and to the extreme in a wide range of tests.”

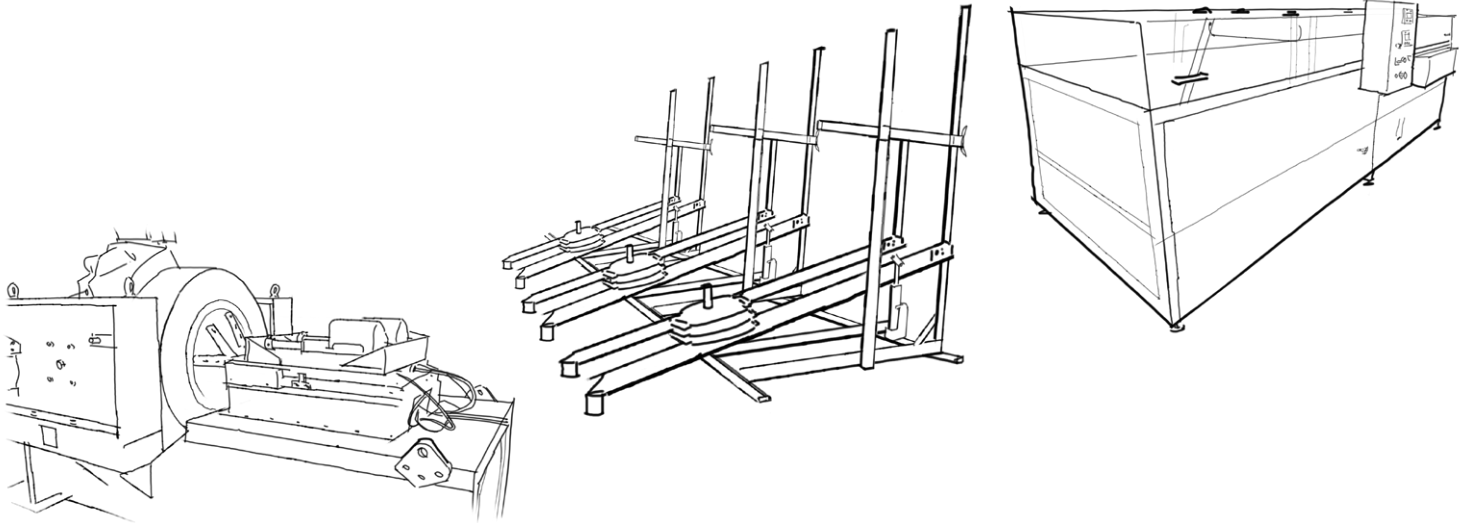
- Claus H. Sørensen, Director R&D



## Climatic tests:

In the climatic test the actuators are tested to operate in extreme temperatures as well as to endure rapid changes in temperature. In a dunk test, the actuators have to withstand repeating temperature fluctuations between +85°C to -40°C and still maintain full functionality and ingress protection.

<b>EN60529-IP6X</b>	- Dust
<b>EN60529-IPX6</b>	- Water
<b>ISO16750- IP69K</b>	- High pressure cleaning
<b>IEC60068-2-3</b>	- Moisture storage
<b>IEC60068-2-30</b>	- Operation in moisture
<b>ISO16750-4:2010</b>	- Dunk test
<b>EN60068-2-52</b>	- Salt spray
<b>BS7691 Section 6.11.2.4</b>	- Chemicals



### Electrical tests:

All electrical parts are tested i.e. power supply, power and signals cables, control signals etc. Electrical immunity is tested according to industrial standards i.e. for radio noise, electrical discharge and burst.\*

<b>EN/IEC 61000-6-4</b>	- Generic standard emission industry
<b>EN/IEC 60204</b>	- Electrical equipment of machinery
<b>EN 50121-3-2</b>	- Railway applications - Rolling stock apparatus
<b>94/25/EC</b>	- Recreational crafts directive
<b>EN/ISO 13766</b>	- Earth moving machinery
<b>EN/IEC 61000-6-2</b>	- Generic standard immunity industry
<b>2004/104/EC</b>	- Automotive Directive
<b>EN/ISO 14982</b>	- Agricultural and forestry machines
<b>EN/ISO 13309</b>	- Construction machinery

\* These tests do not apply to third party products!

### Mechanical tests:

**Vibration:** The actuator must withstand continuous vibration in three directions.

**Shock:** The shock test puts the actuator through 3 shocks of up to 50 G in each of six directions.

**Bump:** The actuator receives bumps of up to 30 G in each of six directions several hundred times.

**EN60068-2-64 (Fh)** - Random vibration

**EN60068-2-27 (Ea)** - Shock

**EN60068-2-29 (Eb)** - Bump

Find out more about how we test actuators to the extreme:

[linak.com/segments/techline/tech-trends/testing/](http://linak.com/segments/techline/tech-trends/testing/)





For further information, please visit our website:  
[LINAK.COM/BUSINESS-AREAS/SOLAR-SHADING/PERGOLAS/](https://www.linak.com/BUSINESS-AREAS/SOLAR-SHADING/PERGOLAS/)

LINAK® accepts no responsibility for possible errors or inaccuracies in catalogues, brochures, and other material. LINAK reserves the right to change its products without prior notice. LINAK cannot guarantee product availability and reserves the right to discontinue the sale of any product. User is responsible for determining the suitability of LINAK products for a specific application. All sales are subject to the 'Standard Terms of Sale and Delivery', available on LINAK websites.

LINAK and the LINAK logotype are registered trademarks of LINAK A/S. All rights reserved.



**QUALITY**

Built by market leading experts, using state-of-the-art technologies and perfected production methods, you can expect the same quality worldwide.



**INNOVATION**

Innovation is in our core. We take the lead and have the courage to make it real.



**RESPONSIBILITY**

We are responsible in what we do – towards customers, employees and environment. Creating trust is a natural part of who we are.



**LOCAL  
& GLOBAL**

From global presence to local understanding. We believe in world-wide support and being close to our customers.