



Anti-collision solutions

Safeguarding office furniture

Ensure a long lifetime for your desk - with our Anti-Collision™ solutions

Protect your electric height-adjustable desk both on the way up and on the way down with an Anti-Collision™ solution.

Choose from a column-integrated PIEZO™ sensor or a plug-in unit "Desk Sensor™ 1" - or combine both for the best protective solution.

PIEZO™ – column integrated unit

PIEZO is a hardware-based sensor built inside the lifting column, meaning it is invisible from the outside of the column. Based on piezoelectric technology, PIEZO reacts to load changes and is especially sensitive to desk obstructions occurring close to the column.

Desk Sensor™ 1 – external gyroscopic unit

Desk Sensor 1 comes as a plug-in unit, which is about the size of the lid of your average ballpoint pen, ready to plug into your desk system. It is a gyroscopic solution, meaning that it detects and reacts to even the slightest tilt of a desk's tabletop. This solution is compatible with all LINAK® office desk systems.

DID YOU KNOW?

A blue square icon with rounded corners containing the text "Plug & Play" in white. The icon is positioned to the right of the "DID YOU KNOW?" header.

LINAK products are made to work together. You do not need to worry about technical compatibilities. So you can easily concentrate on design, stability and furniture aesthetics. This is what we call Plug & Play.



Long live the desk

Your new office furniture deserves the best protection possible

With a LINAK® Anti-Collision solution, you are protected both when raising and lowering your height-adjustable desk. Protect your desk against potential damages.

Downward situations



Making sure your desk design is built to last

Protect your office furniture so that it lasts for many years to come. Our Anti-Collision solutions help to avoid damage to your furniture.



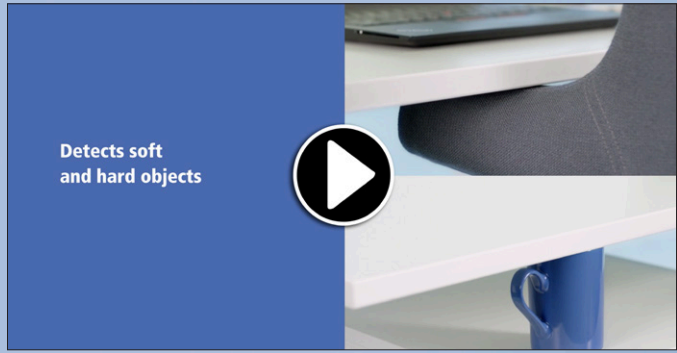
Fast reaction when moving upwards and downwards

Safeguard your desk and surrounding furniture should you accidentally raise or lower the desk into, for instance, an open window, a power socket, a window frame, painting or similar.



Upward situations





Introducing Desk Sensor 1 - plug-in Anti-Collision™ unit for all LINAK® desk systems

Watch it here
<https://vimeo.com/345003039>



Desk Sensor 1 – gyroscope-based plug-in unit

Desk Sensor 1 (DS1) is smaller than your normal USB key – about the size of your ballpoint pen, and it detects even the slightest tilting of the desk (0.7° per second or 10° compared to original angle). It integrates with almost any of our systems for desks and is designed for Plug & Play™, making the small unit easy to add to any LINAK desk system.

- Senses soft and hard obstacles
- Plug & Play - just plug the DS1 unit into your desk system
- Small and compact unit

Compatible with all LINAK® desk systems



Learn more about Desk Sensor 1 here:
[LINAK.COM/DESKSENSOR1](https://www.linak.com/DESKSENSOR1)



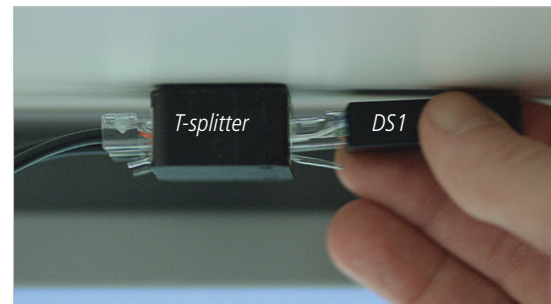
Standard systems

Plug the Desk Sensor™ 1 into the Control Box CBD6S, which is the standard system for LINAK® office desks.



DL IC systems (Integrated controller)

Even simple desk setups with DL IC systems can be upgraded with the Desk Sensor 1 unit. Use a serial cable and a t-splitter, and mount it under the tabletop. Then just plug in the Desk Sensor 1 unit.





Introducing PIEZO™ - column integrated Anti-Collision sensor



**HARDWARE-BASED
ANTI-COLLISION TECHNOLOGY**

The PIEZO™ sensor is more sensitive and faster than known software-based systems. The sensor is completely integrated in the column with no visible changes and no changes in stroke length.

Watch it here:
<https://vimeo.com/215006659>



PIEZO™

– column built-in sensor



Our built-in Anti-Collision™ sensor PIEZO™ comes as standard with most inline lifting columns. It can be added as an optional feature to a range of DL lifting columns with motorhousing, which are all compatible with the same control box.



What can PIEZO™ do for you?

✓ Design without compromise

- Integrated technology in the column – same format and no interference with your desk design

✓ Stable solution

- Works independently of load and temperature

✓ Plug & Play™

- No additional mounting needed as PIEZO is integrated in the column

- No control box configuration needed - save valuable time during desk assembly

Lifting columns available with PIEZO™

Our built-in Anti-Collision™ sensor PIEZO™ comes as an option for DL lifting columns.

Whether rectangular, square or round profile, a standard or upside down model, an inline or a motor housing column, we have the solution.

Motorhousing columns



Inline columns



DID YOU KNOW?

LINAK offers the widest product programme for adjustable desk systems on the market. With Plug & Play™, every element works together - giving you the full flexibility for individual and high quality desk designs. Take a look in our product overview:

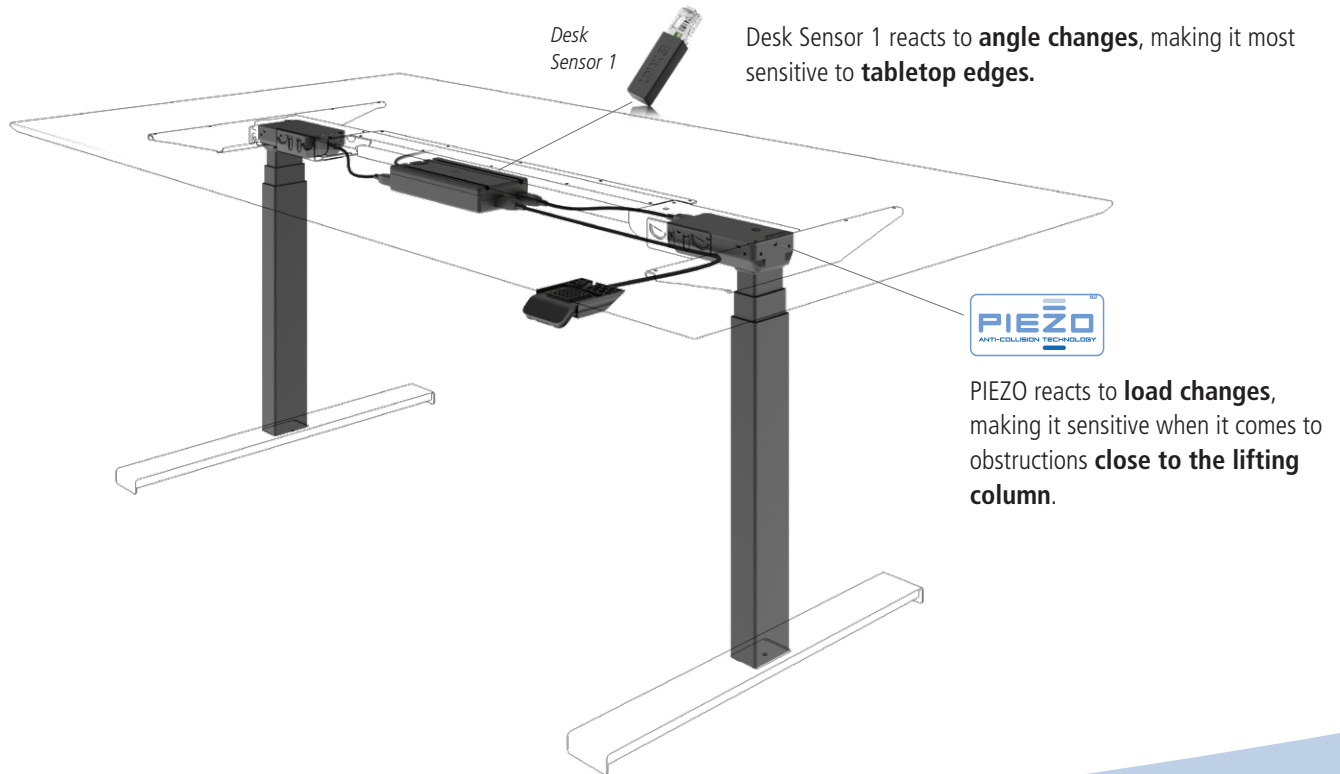
LINAK.AS/2CmbQhK



Combine Desk Sensor 1 and PIEZO

It is easy to combine our two anti-collision solutions and get an even more sensitive collision protection for your desk. Just choose a standard system with the control box CBD6S, and

pick a lifting column with integrated PIEZO sensor. Then add the Desk Sensor™ 1 unit to your control box then the DS1 it is installed.





Learn more about our Anti-Collision solutions for desk systems:
[LINAK.COM/ANTICOLLISION](https://www.linak.com/ANTICOLLISION)



For further information about the DESKLINE® product programme:
[LINAK.COM/DESKLINE](https://www.linak.com/DESKLINE)

LINAK® accepts no responsibility for possible errors or inaccuracies in catalogues, brochures, and other material. LINAK reserves the right to change its products without prior notice. LINAK cannot guarantee product availability and reserves the right to discontinue the sale of any product. User is responsible for determining the suitability of LINAK products for a specific application. All sales are subject to the 'Standard Terms of Sale and Delivery', available on LINAK websites.

LINAK and the LINAK logotype are registered trademarks of LINAK A/S. All rights reserved.



QUALITY

Built by market leading experts, using state-of-the-art technologies and perfected production methods, you can expect the same quality worldwide.



INNOVATION

Innovation is in our core. We take the lead and have the courage to make it real.



RESPONSIBILITY

We are responsible in what we do – towards customers, employees and the environment. Creating trust is a natural part of who we are.



**LOCAL
& GLOBAL**

From global presence to local understanding. We believe in world-wide support and being close to our customers.