

CBD6S

Data Sheet





The Control Box CBD6S is the ideal solution for a wide range of lifting applications, such as office desks, technical and industrial workstations, consoles, and media stands.

Compatible with all DESKLINE products, it guarantees smooth operation and soft start/stop. The intuitive auto-detection of the type and number of DL/DB simplifies the construction of the application. Just Plug & Play™.

The CBD6S is available as:

- a 2-channel version (200 W)
- a 2, 3, or 4-channel version with 300 W for a higher capacity
- a 300 W version compliant with IT standard EN 62368

The 300 W variants are universal control boxes needing only the appropriate mains cable for global use.

The intelligent control box offers a compact and minimal-space design with a height of just 38 mm and a width that perfectly fits the DESKLIFT™ motor-housing columns.

Intuitively designed, the CBD6S features cable grooves for easy cable management. Furthermore, the white plugs for connection of the legs in each end enable quick under-desk identification.

The CBD6S system can be built up as a single-column system; a parallel system with 2, 3 or 4 columns; or a multi-parallel system with up to 16 columns.

The control box is compatible with all DESKLINE desk panels/controls and anti-collision solutions.

The CBD6S has an extremely low power consumption (only 0.1 W) in standby mode and is PVC-Free™.

Features/Options/Compatibility/Usage

Features

CBD6S 200 W

- Connection of 1 or 2 DESKLINE actuators/columns
- Mains voltage 230 V AC, 50 Hz, or 120 V AC, 60 Hz
- Ultra-compact; length only 210 mm
- Lightweight control box; weight only approx. 400 g

CBD6S 300 W

- Connection of 1, 2, 3 or 4 DESKLINE actuators/columns
- Mains voltage 100-240 V AC, 50-60 Hz (universal)
- Ultra-compact; length only 265 mm
- Lightweight control box; weight only approx. 500 g

Common

- Ultra-low; height only 38 mm
 - Compact high-power SMPS (Switch Mode Power Supply)
 - Colour: black
 - Protection against overload (EOP) by individual current limitation
 - Designed with a soft start/stop function
 - Auto-detection of the number and type of DL/DB connected
- Possible combinations:

CBD6S version	No. of channels	Single *	2 parallel	3 parallel	4 parallel
200 W	2	X	X		
300 W	2-4	X	X	X	X **

* Single means that you plug in only one DL/DB in channel 1.

** Not possible with EXPERIENCE™ columns

- Cable grooves at the bottom to optimise cable management
- White plugs for easy recognition when mounting/dismounting
- PVC-Free™
- Low standby power consumption – only 0.1 W
- Can charge the battery box BA001
- Exchangeable standard mains cable
- Software for multi-parallel setup (not possible with EXPERIENCE™ columns)



All CBD6S used in a multi-parallel system must have the same software version.

Options

- Anti-Collision™. A system with Anti-Collision can limit the material damage to a desk if a collision with a solid object should occur (only applicable to systems with 3-stage columns, except LC1)
- 300 W version (2 or 4 channels) compliant with IT standard EN 62368

Compatibility

Columns/actuators

Product	CBD6S SW 03002000	CBD6S SW 03002024	CBD6S SW 03002026
Standard columns and built-in actuators	All versions	All versions	All versions
High-speed columns		Ver. 1.00 and later	All versions
EXPERIENCE™ columns	Not compatible	Ver. 1.06 and later	Ver. 1.15 and later

Accessories

Product	CBD6S SW 03002000	CBD6S SW 03002024	CBD6S SW 03002026
Safety Limit Switch CBDSL5	Ver. 1.37 and later	All version	All version
Battery Box BA001	Ver. 1.57 and later	All version	All version
Desk Sensor™ 1 (DS1)	Ver. 1.63 and later	All version	All version

Desk panels (controls) SW

All DESKLINE desk panels

The following LINbus desk panels require the stated software versions:

LINbus desk panel	SW	Version
DPF1C	0077025	1.05 or later (Not compatible with CBD6S SW 03002000 versions 1.13, 1.37, 1.47, and 1.49)
	0077025	1.07 or later
	0077083	All versions
	0077098	All versions
	03004005	All versions
DPF4T	0077037	1.05 or later
	0077089	All versions
DPT	0077022	1.07 or later
	0077058	1.03 or later

If one of these LINbus desk panels with older software is connected to the CBD6S, it will not work.

Usage

- Duty cycle max. 10% ≈ 2 minutes continuous use at full load, followed by 18 minutes pause



Always observe the duty cycle stated on the column product label as this may be lower.

- For indoor use in dry locations

Parameter	Operation	Storage and transportation
Temperature	10 to 40 °C	-10 to +50 °C
Relative humidity	20% to 80% - non-condensing	20% to 80% - non-condensing
Atmospheric pressure	800 to 1060 hPa	700 to 1060 hPa
Altitude	Max. 2000 m	N/A

- Please note the LA23, LA31, DL1A, DL2, LC1, DL61 1200 N without PIEZO™, and BL1 require a special configuration (use the CBD6S configurator)



BL1 in combination with CBD6S:

- is not approved in accordance with EN 60335-1 and UL 962
- cannot lift the specified max. load
- is not supported by LINAK AIS on quality issues

- Approvals and regional usage

Version	Power supply	Approvals	Region
300 W	100-240 V AC	EN 60335-1, EN 13849-1, EN 62368 *, UL 962, PSE	Worldwide
200 W	230 V AC	EN 60335-1, EN 13849-1	Europe and Australia
200 W	120 V AC	UL 962	The US
200 W	100 V AC	PSE	Japan

*: Only with 2 and 4-channel versions

Ordering

CBD6		
TECHNOLOGY	S	S = Switch Mode Power Supply
FUNCTIONALITY	P	P = 2 channels C = 3 channels H = 4 channels
SEGMENT	0	0 = DESKLINE
OPTION	0	0 = Standard
APPROVALS	0	0 = Standard furniture approvals 1 = IT standard (EN 62368) *
CHANNELS	2	2 = 2 channels 3 = 3 channels (only 300 W) 4 = 4 channels (only 300 W)
OPTION	0	0 = Standard
OPTION	A	A = Advanced
COLOUR	-	- = Black
MAINS VOLTAGE	0	0 = 230 V / 50 Hz, 200 W 1 = 120 V / 60 Hz, 200 W 5 = 100 V / 60 Hz, 200 W (Japanese version) 6 = 100-240 V, 50-60 Hz, 300 W (Japanese version) ** 7 = 100-240 V, 50-60 Hz, 300 W (universal)
OPTION	0	0 = Standard
CLASS	9	9 = Without cable

CBD6SP00020A-009

* Only available with MAINS VOLTAGE option 7 and CHANNELS options 2 and 4

** Only available with CHANNELS option 4



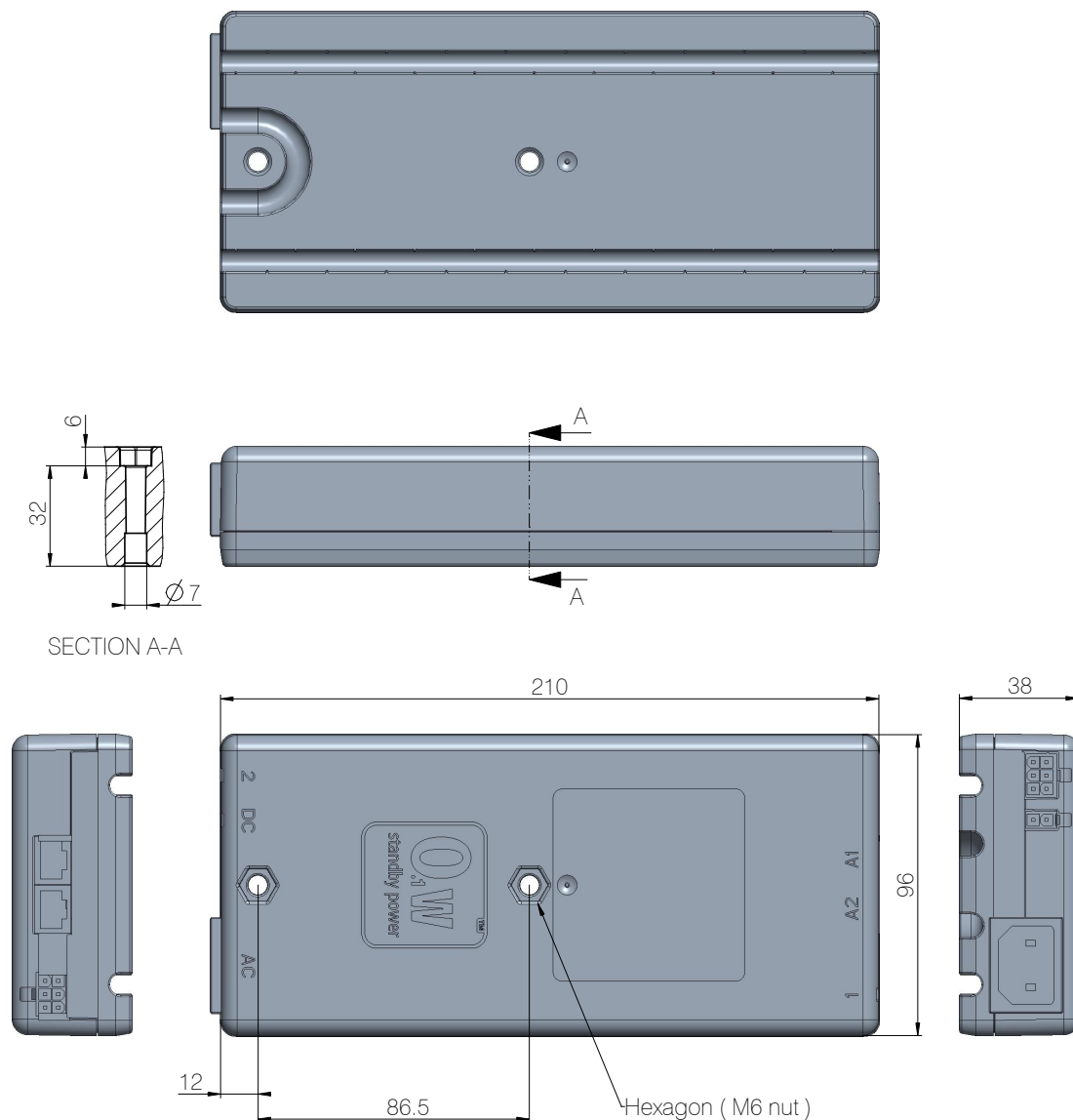
All cables for creating a fully connected DESKLINE® system must be ordered separately. We offer a range of different versions and lengths. To get information such as ordering number, and colour and length of the cables, please contact your local LINAK.

Dimension drawings



All dimensions are in mm.

CBD6S 200 W

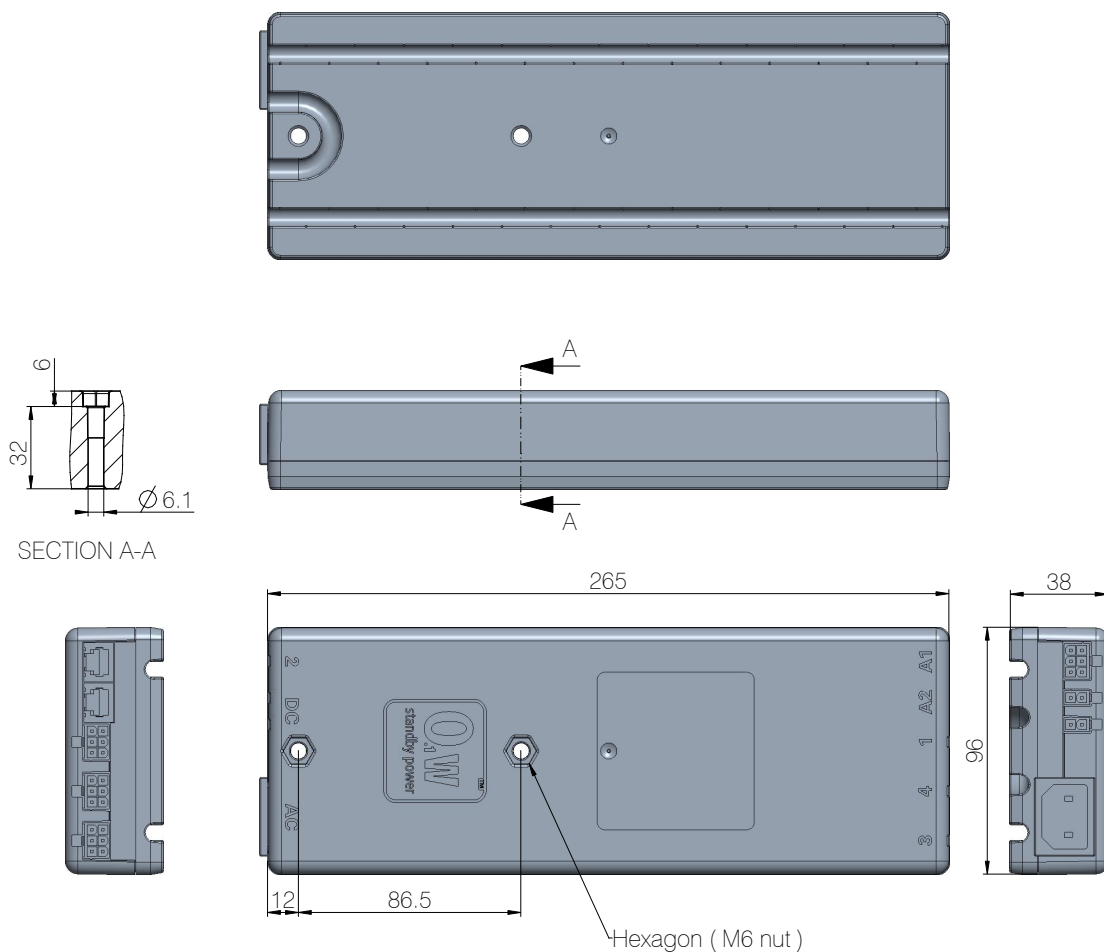


Drawing no. 0759006

A1/A2	Control ports for connection of one or two desk panels or the Anti-Collision™ dongle A1/A2 are parallel ports
AC	Connection to the mains supply
DC	Connection to Battery Box BA001
1 and 2	Sockets for 1 or 2 DL/DB

Figure 1 CBD6S (200 W) dimensions and mounting holes

CBD6S 300 W



Drawing no. 0759007

A1/A2	Control port for connection of one or two desk panels or the Anti-Collision™ dongle A1/A2 are parallel ports
AC	Connection to the mains supply
DC	Connection to Battery Box BA001
1 to 4	Sockets for 1 to 4 DL/DB

Figure 2 CBD6S (300 W) dimensions and mounting holes

Contacts

FACTORIES

Denmark - Headquarters
 LINAK A/S
 Phone: +45 73 15 15 15
 Fax: +45 74 45 80 48
 Fax (Sales): +45 73 15 16 13
 Web: www.linak.com

China
 LINAK (Shenzhen) Actuator Systems, Ltd.
 Phone: +86 755 8610 6656
 Phone: +86 755 8610 6990
 Web: www.linak.cn

Slovakia
 LINAK Slovakia s.r.o.
 Phone: +421 51 7563 444
 Web: www.linak.sk

Thailand
 LINAK APAC Ltd.
 Phone: +66 33 265 400
 Web: www.linak.com

USA
 LINAK U.S. Inc.
 Americas Headquarters
 Phone: +1 502 253 5595
 Fax: +1 502 253 5596
 Web: www.linak-us.com
 www.linak-latinamerica.com

SUBSIDIARIES

Australia
 LINAK Australia Pty. Ltd
 Phone: +61 3 8796 9777
 Fax: +61 3 8796 9778
 E-mail: sales@linak.com.au
 Web: www.linak.com.au

Austria
 LINAK Zweigniederlassung - Österreich (Wien)
 Phone: +43 (1) 890 7446
 Fax: +43 (1) 890 744615
 E-mail: info@linak.de
 Web: www.linak.at - www.linak.hu

Belgium
 LINAK Actuator-Systems NV/SA
 (Belgium & Luxembourg)
 Phone: +32 (0)9 230 01 09
 E-mail: beinfo@linak.be
 Web: www.linak.be - www.fr.linak.be

Brazil
 LINAK Do Brasil Comércio De Atuadores Ltda.
 Phone: +55 (11) 2832 7070
 Fax: +55 (11) 2832 7060
 E-mail: info@linak.com.br
 Web: www.linak.com.br

Canada
 LINAK Canada Inc.
 Phone: +1 502 253 5595
 Fax: +1 416 255 7720
 E-mail: info@linak.ca
 Web: www.linak-us.com

Czech Republic
 LINAK C&S s.r.o.
 Phone: +42 058 174 1814
 Fax: +42 058 170 2452
 E-mail: info@linak.cz
 Web: www.linak.cz - www.linak.sk

Denmark - International
 LINAK International
 Phone: +45 73 15 15 15
 E-mail: info@linak.com
 Web: www.linak.com

Denmark - Sales
 LINAK Danmark A/S
 Phone: +45 86 80 36 11
 Fax: +45 86 82 90 51
 E-mail: linak@linak-silkeborg.dk
 Web: www.linak.dk

Finland
 LINAK OY
 Phone: +358 10 841 8700
 E-mail: linak@linak.fi
 Web: www.linak.fi

France
 LINAK France E.U.R.L.
 Phone: +33 (0) 2 41 36 34 34
 Fax: +33 (0) 2 41 36 35 00
 E-mail: linak@linak.fr
 Web: www.linak.fr

Germany
 LINAK GmbH
 Phone: +49 6043 9655 0
 Fax: +49 6043 9655 60
 E-mail: info@linak.de
 Web: www.linak.de

India
 LINAK A/S India Liaison Office
 Phone: +91 120 4531797
 Fax: +91 120 4786428
 E-mail: info@linak.in
 Web: www.linak.in

Ireland
 LINAK UK Limited (Ireland)
 Phone: +44 (0)121 544 2211
 Fax: +44 (0)121 544 2552
 +44 (0)796 855 1606 (UK Mobile)
 +35 387 634 6554 (Rep.of Ireland Mobile)
 E-mail: sales@linak.co.uk
 Web: www.linak.co.uk

Italy
 LINAK ITALIA S.r.l.
 Phone: +39 02 48 46 33 66
 Fax: +39 02 48 46 82 52
 E-mail: info@linak.it
 Web: www.linak.it

Japan
 LINAK K.K.
 Phone: 81-45-533-0802
 Fax: 81-45-533-0803
 E-mail: linak@linak.jp
 Web: www.linak.jp

Malaysia
 LINAK Actuators Sdn. Bhd.
 Phone: +60 4 210 6500
 Fax: +60 4 226 8901
 E-mail: info@linak-asia.com
 Web: www.linak.my

Netherlands
 LINAK Actuator-Systems B.V.
 Phone: +31 76 5 42 44 40 /
 +31 76 200 11 10
 E-mail: info@linak.nl
 Web: www.linak.nl

New Zealand
 LINAK New Zealand Ltd
 Phone: +64 9580 2071
 Fax: +64 9580 2072
 E-mail: nzsales@linak.com.au
 Web: www.linak.com.au

Norway
 LINAK Norge AS
 Phone: +47 32 82 90 90
 E-mail: info@linak.no
 Web: www.linak.no

Poland
 LINAK Polska
 LINAK Danmark A/S (Spółka Akcyjna)
 Phone: +48 22 295 09 70 /
 +48 22 295 09 71
 E-mail: info@linak.pl
 Web: www.linak.pl

Republic of Korea
 LINAK Korea Ltd.
 Phone: +82 2 6231 1515
 Fax: +82 2 6231 1516
 E-mail: info@linak.kr
 Web: www.linak.kr

Slovakia
 LINAK Slovakia S.R.O.
 Phone: +421 51 7563 444
 Web: www.linak.sk

Spain
 LINAK Actuadores, S.L.u
 Phone: +34 93 588 27 77
 Fax: +34 93 588 27 85
 E-mail: esma@linak.es
 Web: www.linak.es

Sweden
 LINAK Scandinavia AB
 Phone: +46 8 732 20 00
 Fax: +46 8 732 20 50
 E-mail: info@linak.se
 Web: www.linak.se

Switzerland
 LINAK AG
 Phone: +41 43 388 31 88
 E-mail: info@linak.ch
 Web: www.linak.ch - www.fr.linak.ch
 www.it.linak.ch

Taiwan
 LINAK (Shenzhen) Actuator systems Ltd.
 Taiwan Representative office
 Phone: +886 2 272 90068
 Fax: +886 2 272 90096
 E-mail: sales@linak.com.tw
 Web: www.linak.com.tw

Turkey
 LINAK İth. İhr. San. ve Tic. A.Ş.
 Phone: +90 312 4726338
 Fax: +90 312 4726635
 E-mail: info@linak.com.tr
 Web: www.linak.com.tr

United Kingdom
 LINAK UK Limited
 Phone: +44 (0)121 544 2211
 Fax: +44 (0)121 544 2552
 E-mail: sales@linak.co.uk
 Web: www.linak.co.uk

DISTRIBUTORS

Argentina
 Novotec Argentina SRL
 Phone: 011-4303-8989 / 8900
 Fax: 011-4032-0184
 E-mail: info@novotecargentina.com
 Web: www.novotecargentina.com

Colombia
 MEM Ltda
 Phone: +[57] (1) 334-7666
 Fax: +[57] (1) 282-1684
 E-mail: servicioalcliente@memltda.com.co
 Web: www.mem.net.co

India
 Mechatronics Control Equipments India Pvt Ltd
 Phone: +91-44-28558484, 85
 E-mail: bala@mechatronicscontrol.com
 Web: www.mechatronicscontrol.com

Indonesia
 PT. Himalaya Everest Jaya
 Phone: +6 221 544 8956 /+6 221 544 8965
 Fax: +6 221 619 1925
 Fax (Sales): +6 221 619 4658
 E-mail: hejplastic-div@centrin.net.id
 Web: www.hej.co.id

Israel
 NetivTech LTD
 Phone: +972 55-2266-535
 Fax: +972 2-9900-560
 Email: info@NetivTech.com
 Web: www.netivtech.com

Singapore
 Servo Dynamics Pte Ltd
 Phone: +65 6844 0288
 Fax: +65 6844 0070
 E-mail: servodynamics@servo.com.sg

South Africa
 Industrial Specialised Applications CC
 Phone: +27 011 466 0346
 E-mail: gartht@isagroup.co.za
 Web: www.isaza.co.za

United Arab Emirates
 Mechatronics
 Phone: +971 4 267 4311
 Fax: +971 4 267 4312
 E-mail: mechtron@emirates.net.ae

Terms of use

LINAK® takes great care in providing accurate and up-to-date information on its products. However, the user is responsible for determining the suitability of LINAK products for a specific application. Due to continual development, LINAK products are subject to frequent modifications and changes. LINAK reserves the rights to conduct modifications, updates, and changes without any prior notice. For the same reason, LINAK cannot guarantee the correctness and actual status of imprinted information on its products.

LINAK uses its best efforts to fulfil orders. However, for the reasons mentioned above, LINAK cannot guarantee availability of any particular product at any given time. LINAK reserves the right to discontinue the sale of any product displayed on its website or listed in its catalogues or in other written material created and produced by LINAK, LINAK subsidiaries, or LINAK affiliates. All sales are subject to the 'Standard Terms of Sale and Delivery for LINAK A/S' available on LINAK websites. LINAK and the LINAK logotype are registered trademarks of LINAK A/S. All rights reserved.