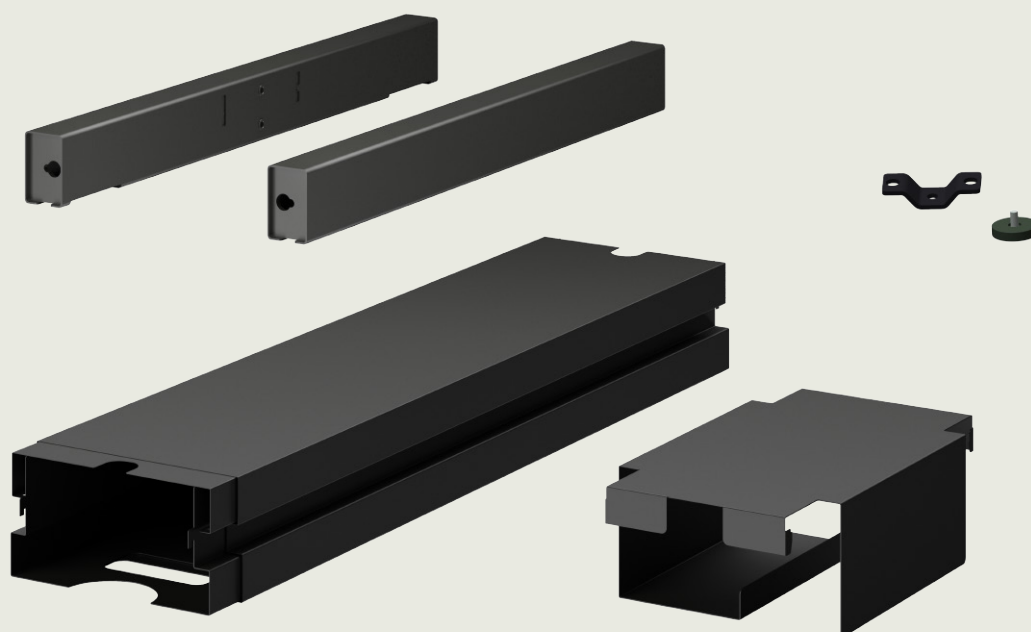
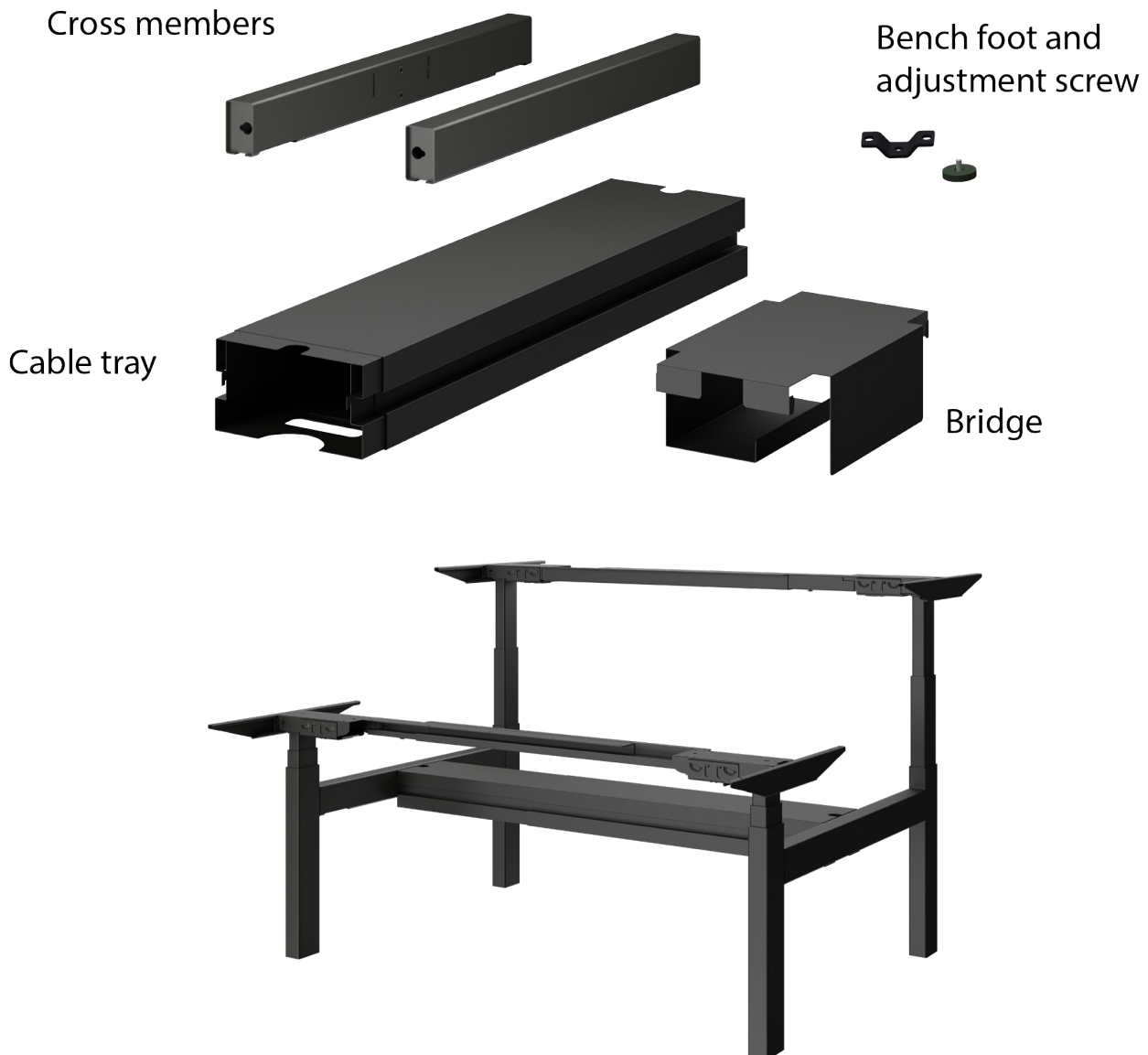


DESKLINE® bench accessories

Data Sheet





The DESKLINE® bench system is the smart and intuitive solution for creating a complete bench system using the DESKLIFT™ columns with bench bracket options H and V, the Kick & Click™ top frame, and the dedicated cross members. The solution is perfect for various office desks in various designs.

By means of two cross members, two desks are joined together to form the DESKLINE® bench system. The cross members are available in various designs and colours leaving the final desk design to the desk manufacturer.

To ease cable management and avoid cable clutter, an adjustable cable tray can be added to the bench system. The cable tray is available in various colours.

Multiple bench systems can be connected using bridges ensuring a perfect line-up of the desks in an office. The bridge is available in various colours and designs to fit the cross members selected.

Features/Accessories/Compatibility/Usage

Features

Cross members

- Lengths: 620 mm or 820 mm
- Colour: Available in black (RAL 9005), grey (RAL 9006), or white (RAL 9016)

Feet

- Feet for bench solution (including adjustment screws)

Accessories

- Cable tray for cable management
- Bridge for connection of two bench systems


Compatibility

- DESKLINE® systems based on DL5, DL6, DL18, DL19, DL20 or DL21 columns (standard or IC) with bench bracket (options H and V only)

Usage

- Can be used for T-desks (central placement of legs)
- A DESKLINE® bench system consists of:
 - a Kick & Click™ top frame
 - two columns (a DL SetPack)
 - a bench set (cross members, feet and mounting screws)

Ordering

 A cross-member set comprises all parts for joining together two desks into a bench system: 2 cross members, 4 threaded pins (M8 x 40 mm), 4 hex flange nuts, 4 bench feet, 8 mounting screws, and 4 adjustment screws.

Cross members (set-packed)

Item number	Colour *	Length (mm)
CM06A6201100	Grey	620
CM06B6201100	Black	620
CM06D6201100	White	620
CM06A8201100	Grey	820
CM06B8201100	Black	820
CM06D8201100	White	820

Cross member weight

Type of cross member	Approx. weight per cross member (kg)	Approx. weight as a set-packed solution (kg)
620 mm	2.4	5.2
820 mm	3.1	6.6

30 packs fit on one pallet.


Bench feet

The bench foot and related mounting and adjustments screws for the DESKLINE bench solution are part of the cross member set compatible with column bracket types H and V.

For other applications the bench-foot parts can be ordered as bulk delivery.

Bulk deliveries

Item	Bulk article numbers	Minimum order quantity
Bench foot	SA1066W3014-001	360
M8 x 14 mm mounting screws	SA0002747	500
M8 x 10 mm adjustment screws	SA1066W1024	1000

 The bench foot is available in black.

Cable tray

Item number	Colour *
SA0DF2T-00-120-870	Grey
SA0DF2T-00-001-870	Black
SA0DF2T-00-022-870	White

The cable tray is available as single-pack.

Pallet information:

Number of cable tray packs	30
Weight (including pallet)	269 kg
Dimensions (L x W x H)	1200 mm x 800 mm x 1046 mm

Bridge for connection of two bench systems

Item number	Colour *
SA1066W3012-120	Grey
SA1066W3012-001	Black
SA1066W3012-022	White

The bridge is available as single-pack.

Pallet information:


Number of cable tray packs	70
Weight (including pallet)	104 kg
Dimensions (L x W x H)	1200 mm x 800 mm x 981 mm

*: Grey: RAL 9006
 Black: RAL 9005
 White: RAL 9016

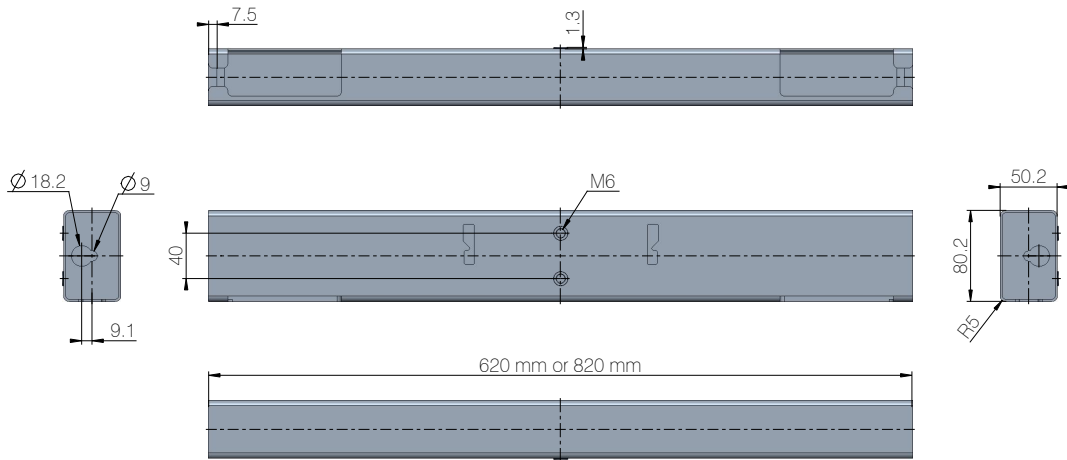


Always select columns with bracket options H and V for the LINAK bench solution.

Dimension drawings

 All dimensions are in mm.

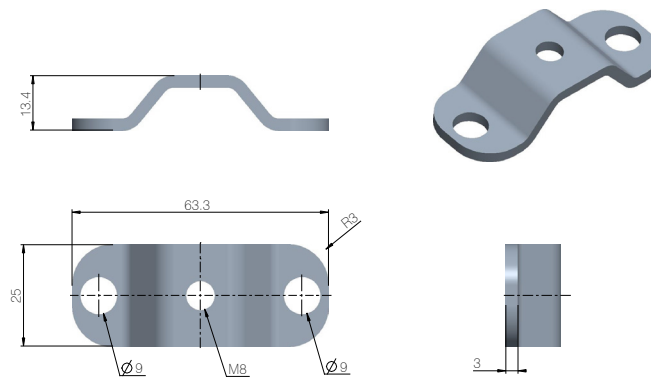
Cross member



Drawing no. 1066W4030

Figure 1 Cross member

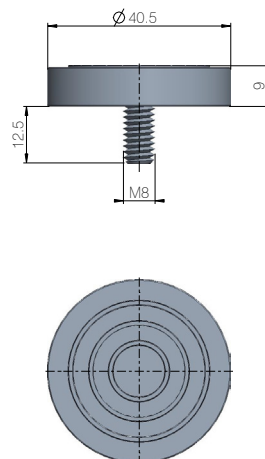
Bench foot



Drawing no. 1066W4033

Figure 2 Bench foot

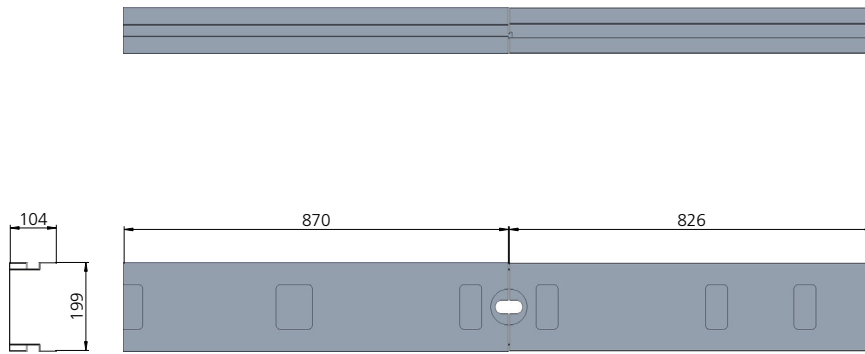
Adjustment screw for bench foot



Drawing no. 1066W4034

Figure 3 Adjustment screw for bench foot

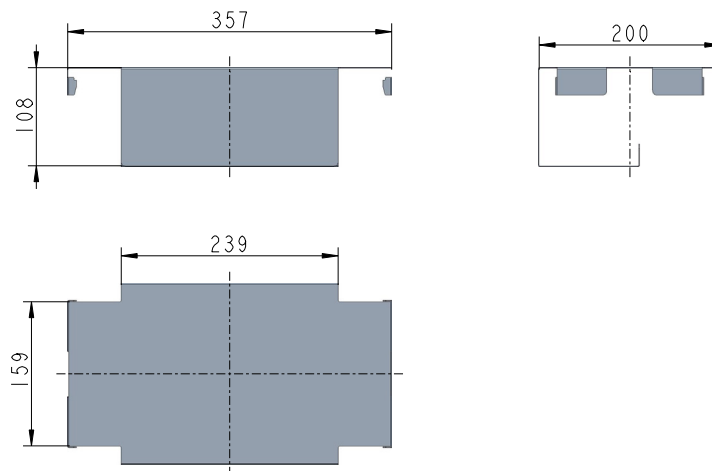
Cable tray



Drawing no. 1066W4060

Figure 4 Bench cable tray

Bridge



Drawing no. 1066W4041

Figure 5 Bench bridge

Contacts

FACTORIES

Denmark - Headquarters
LINAK A/S
Phone: +45 73 15 15 15
Fax: +45 74 45 80 48
Fax (Sales): +45 73 15 16 13
Web: www.linak.com

China
LINAK (Shenzhen) Actuator Systems, Ltd.
Phone: +86 755 8610 6656
Phone: +86 755 8610 6990
Web: www.linak.cn

Slovakia
LINAK Slovakia s.r.o.
Phone: +421 51 7563 444
Web: www.linak.sk

Thailand
LINAK APAC Ltd.
Phone: +66 33 265 400
Web: www.linak.com

USA
LINAK U.S. Inc.
Americas Headquarters
Phone: +1 502 253 5595
Fax: +1 502 253 5596
Web: www.linak-us.com
www.linak-latinamerica.com

SUBSIDIARIES

Australia
LINAK Australia Pty. Ltd
Phone: +61 3 8796 9777
Fax: +61 3 8796 9778
E-mail: sales@linak.com.au
Web: www.linak.com.au

Austria
LINAK Zweigniederlassung - Österreich (Wien)
Phone: +43 (1) 890 7446
Fax: +43 (1) 890 744615
E-mail: info@linak.de
Web: www.linak.at - www.linak.hu

Belgium
LINAK Actuator-Systems NV/SA
(Belgium & Luxembourg)
Phone: +32 (0)9 230 01 09
E-mail: beinfo@linak.be
Web: www.linak.be - www.fr.linak.be

Brazil
LINAK Do Brasil Comércio De Atuadores Ltda.
Phone: +55 (11) 2832 7070
Fax: +55 (11) 2832 7060
E-mail: info@linak.com.br
Web: www.linak.com.br

Canada
LINAK Canada Inc.
Phone: +1 502 253 5595
Fax: +1 416 255 7720
E-mail: info@linak.ca
Web: www.linak-us.com

Czech Republic
LINAK C&S s.r.o.
Phone: +42 058 174 1814
Fax: +42 058 170 2452
E-mail: info@linak.cz
Web: www.linak.cz - www.linak.sk

Denmark - International
LINAK International
Phone: +45 73 15 15 15
E-mail: info@linak.com
Web: www.linak.com

Denmark - Sales
LINAK Danmark A/S
Phone: +45 86 80 36 11
Fax: +45 86 82 90 51
E-mail: linak@linak-silkeborg.dk
Web: www.linak.dk

Finland
LINAK OY
Phone: +358 10 841 8700
E-mail: linak@linak.fi
Web: www.linak.fi

France
LINAK France E.U.R.L
Phone: +33 (0) 2 41 36 34 34
Fax: +33 (0) 2 41 36 35 00
E-mail: linak@linak.fr
Web: www.linak.fr

Germany
LINAK GmbH
Phone: +49 6043 9655 0
Fax: +49 6043 9655 60
E-mail: info@linak.de
Web: www.linak.de

India
LINAK A/S India Liaison Office
Phone: +91 120 4531797
Fax: +91 120 4786428
E-mail: info@linak.in
Web: www.linak.in

Italy
LINAK ITALIA S.r.l.
Phone: +39 02 48 46 33 66
Fax: +39 02 48 46 82 52
E-mail: info@linak.it
Web: www.linak.it

Japan
LINAK K.K.
Phone: 81-45-533-0802
Fax: 81-45-533-0803
E-mail: linak@linak.jp
Web: www.linak.jp

Malaysia
LINAK Actuators Sdn. Bhd.
Phone: +60 4 210 6500
Fax: +60 4 226 8901
E-mail: info@linak-asia.com
Web: www.linak.my

Netherlands
LINAK Actuator-Systems B.V.
Phone: +31 76 5 42 44 40 /
+31 76 200 11 10
E-mail: info@linak.nl
Web: www.linak.nl

New Zealand
LINAK New Zealand Ltd
Phone: +64 9580 2071
Fax: +64 9580 2072
E-mail: nzsales@linak.com.au
Web: www.linak.com.au

Norway
LINAK Norge AS
Phone: +47 32 82 90 90
E-mail: info@linak.no
Web: www.linak.no

Poland
LINAK Polska
LINAK Danmark A/S (Spółka Akcyjna)
Phone: +48 22 295 09 70 /
+48 22 295 09 71
E-mail: info@linak.pl
Web: www.linak.pl

Republic of Korea
LINAK Korea Ltd.
Phone: +82 2 6231 1515
Fax: +82 2 6231 1516
E-mail: info@linak.kr
Web: www.linak.kr

Slovakia
LINAK Slovakia S.R.O.
Phone: +421 51 7563 444
Web: www.linak.sk

Spain
LINAK Actuadores, S.L.U
Phone: +34 93 588 27 77
Fax: +34 93 588 27 85
E-mail: esma@linak.es
Web: www.linak.es

Sweden
LINAK Scandinavia AB
Phone: +46 8 732 20 00
Fax: +46 8 732 20 50
E-mail: info@linak.se
Web: www.linak.se

Switzerland
LINAK AG
Phone: +41 43 388 31 88
Fax: +41 43 388 31 87
E-mail: info@linak.ch
Web: www.linak.ch - www.fr.linak.ch
www.it.linak.ch

Taiwan
LINAK (Shenzhen) Actuator systems Ltd.
Taiwan Representative office
Phone: +886 2 272 90068
Fax: +886 2 272 90096
E-mail: sales@linak.com.tw
Web: www.linak.com.tw

Turkey
LINAK İth. İhr. San. ve Tic. A.Ş.
Phone: +90 312 4726338
Fax: +90 312 4726635
E-mail: info@linak.com.tr
Web: www.linak.com.tr

United Kingdom & Ireland
LINAK UK Limited
Phone: +44 (0)121 544 2211
Fax: +44 (0)121 544 2552
E-mail: sales@linak.co.uk
Web: www.linak.co.uk

DISTRIBUTORS

Argentina
Novotec Argentina SRL
Phone: 011-4303-8989 / 8900
Fax: 011-4032-0184
E-mail: info@novotecargentina.com
Web: www.novotecargentina.com

Colombia
MEM Ltda
Phone: +[57] (1) 334-7666
Fax: +[57] (1) 282-1684
E-mail: servicioalcliente@memlda.com.co
Web: www.mem.net.co

India
Mechatronics Control Equipments India Pvt Ltd
Phone: +91-44-28558484, 85
E-mail: bala@mechatronicscontrol.com
Web: www.mechatronicscontrol.com

Indonesia
PT. Himalaya Everest Jaya
Phone: +6 221 544 8956 /+6 221 544 8965
Fax: +6 221 619 1925
Fax (Sales): +6 221 619 4658
E-mail: hejplastic-div@centrin.net.id
Web: www.hej.co.id

Israel
NetivTech LTD
Phone: +972 55-2266-535
Fax: +972 2-9900-560
Email: info@NetivTech.com
Web: www.netivtech.com

Singapore
Servo Dynamics Pte Ltd
Phone: +65 6844 0288
Fax: +65 6844 0070
E-mail: servodynamics@servo.com.sg

South Africa
Industrial Specialised Applications CC
Phone: +27 011 466 0346
E-mail: gartht@isagroup.co.za
Web: www.isaza.co.za

United Arab Emirates
Mechatronics
Phone: +971 4 267 4311
Fax: +971 4 267 4312
E-mail: mechtron@emirates.net.ae

Terms of use

LINAK® takes great care in providing accurate and up-to-date information on its products. However, the user is responsible for determining the suitability of LINAK products for a specific application. Due to continual development, LINAK products are subject to frequent modifications and changes. LINAK reserves the rights to conduct modifications, updates, and changes without any prior notice. For the same reason, LINAK cannot guarantee the correctness and actual status of imprinted information on its products.

LINAK uses its best efforts to fulfil orders. However, for the reasons mentioned above, LINAK cannot guarantee availability of any particular product at any given time. LINAK reserves the right to discontinue the sale of any product displayed on its website or listed in its catalogues or in other written material created and produced by LINAK, LINAK subsidiaries, or LINAK affiliates. All sales are subject to the 'Standard Terms of Sale and Delivery for LINAK A/S' available on LINAK websites. LINAK and the LINAK logotype are registered trademarks of LINAK A/S. All rights reserved.