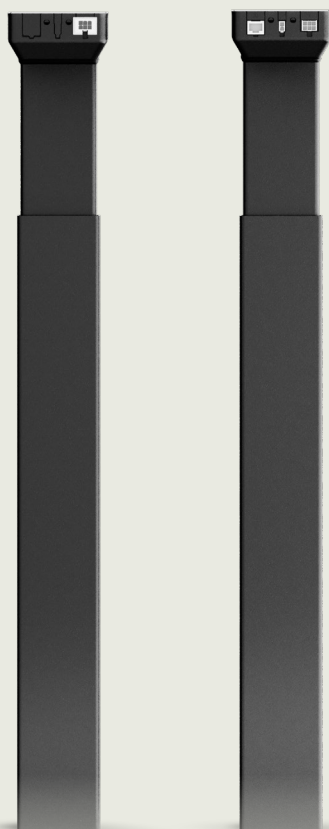
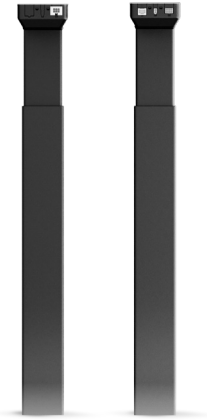


DESKLIFT™ DL5 IC

Data Sheet





The DESKLIFT™ DL5 IC (Integrated Controller) is a compact two-part lifting column, based on our well-known DL5 column. The DL5 IC is a perfect choice for adjustable economy office desks using only two columns and requiring a stroke length of maximum 500 mm. The DL5 IC has a compact motor housing, which is almost invisible in the tabletop construction, and the column is very sturdy. The DL5 IC has the same outer dimensions (50 x 80 mm) and mounting holes as the three-part DL6 IC column, which makes them fit the same top frame and foot constructions, including the Kick & Click™ top frame. The DL5 IC column is available in three standard colours (black, grey and white).

The DL5 IC product programme offers various options such as:

- PLUS™ - a design-optimised version
- customised colours
- versions for bench solutions

An IC system consists of two columns, a control column and a companion column, connected via a motor cable. The control column has a built-in control PCB; thus, no separate control box must be mounted in an IC system. The mains supply is an external SMPS (Switch Mode Power Supply) unit, and a variety of desk panels can be used for adjusting the desk. A Desk Sensor™ 1 anti-collision dongle can be added to the system to limit material damage to a desk or an object in case a collision occurs during driving of the desk.

Features/Options/Compatibility/Usage

Features

- Two-part motor-housing column
- In combination with SMPS:

Parameter	With SPMS001 / SMPS002 / SMPS006 / SMPS007
Max. speed (unloaded)	38 mm/s
Max. load (per column)	500 N
Self-lock (per column)	500 N

- Standard installation dimension: 645 mm
- Standard stroke length: 500 mm
- Weight: Approximately 6.5 kg per column
- Dimensions column: 50 x 80 mm (see also [Dimension drawings](#))
- Dimension motor housing: 177 x 97 x 46 mm
- Four M6 and two M8 threaded holes in bottom plate for mounting of feet
- Colour: Available in black (RAL 9005), grey (RAL 9006) or white (RAL 9016)
- Low sound level

Options

- PLUS™: Invisible gliding pads and a smooth outer profile with no punch marks
- Available with bench bracket (two versions) and with mounting bracket for a crossbar, see [Dimension drawings](#)
- Customised colours
- Available as DESKLIFT™ SetPack

Compatibility

- Switch Mode Power Supply
 - SMPS001 (230 V)
 - SMPS002 (120 V)
 - SMPS006 (Universal)
 - SMPS007 (120 V)
- DESKLINE® controls
- Battery Box BA001
- Desk Sensor™ 1
- Kick & Click™ top frame
- DESKLIFT™ Feet



For systems with Battery Box BA001, the Control column must be configured correctly.

Usage

- 2 parallel drive with one DL5 IC Control and one DL5 IC Companion, and an external power supply (SMPS)
- Duty cycle: 10 % \approx max. 2 minutes continuous use at full load, followed by 18 minutes pause
- For indoor use in dry locations

Parameter	Operation	Storage and transportation
Temperature	10 to 40 °C	-10 to +50 °C
Relative humidity	20% to 80% - non-condensing	20% to 80% - non-condensing
Atmospheric pressure	800 to 1060 hPa	700 to 1060 hPa
Altitude	Max. 2000 m	N/A

For system compliance, please refer to the Declaration of Conformity in the [User Manual](#) as well as the Data Sheets for [SMPS001/SMPS002](#), [SMPS006](#), and [SMPS007](#).



When a desk panel DP1CS, DPF1C, DPF1D, or DPT is used, ensure that the light intensity is configured to 50% before use.

Ordering

DL5		
SPINDLE TYPE	0	0 = 20 mm pitch
OPTION	0	0 = Standard
MOUNTING BRACKET	0	0 = None 1 = 120 x 40 x 8 mm (with 2 x M8) L = Bench bracket on left narrow side (Companion) R = Bench bracket on right narrow side (Control) V = Bench bracket on left narrow side (Companion) * H = Bench bracket on right narrow side (Control) *
COLOUR	B	A = Grey (RAL 9006) B = Black (RAL 9005) D = White (RAL 9016)
OPTION	N	N = Standard P = PLUS series
MOTOR TYPE	M	M = IC Control S = IC Companion
STROKE LENGTH	500	500 = 500 mm
INSTALLATION DIM.	645	645 = 645 mm
DL5000BNM500645		

*: Columns with bench bracket compatible with the LINAK cross member set for a complete bench solution. Cross members must be ordered separately



All cables for creating a fully connected DESKLINE® system must be ordered separately. We offer a range of different versions and lengths. To get information such as ordering number, and colour and length of the cables, please contact your local LINAK.



Please note that the item numbers for columns with bench bracket will be created so that the control column will be on the right and the companion column on the left side of the desk, seen from the position of the user.

Technical data

Performance curves

The data below is measured in connection with two IC lifting columns and SMPS001/002/006/007. The desk is driving upwards.



The curves below apply to a centrally placed load. With moment load, there will be increased friction in the columns, which will reduce the lifting force.

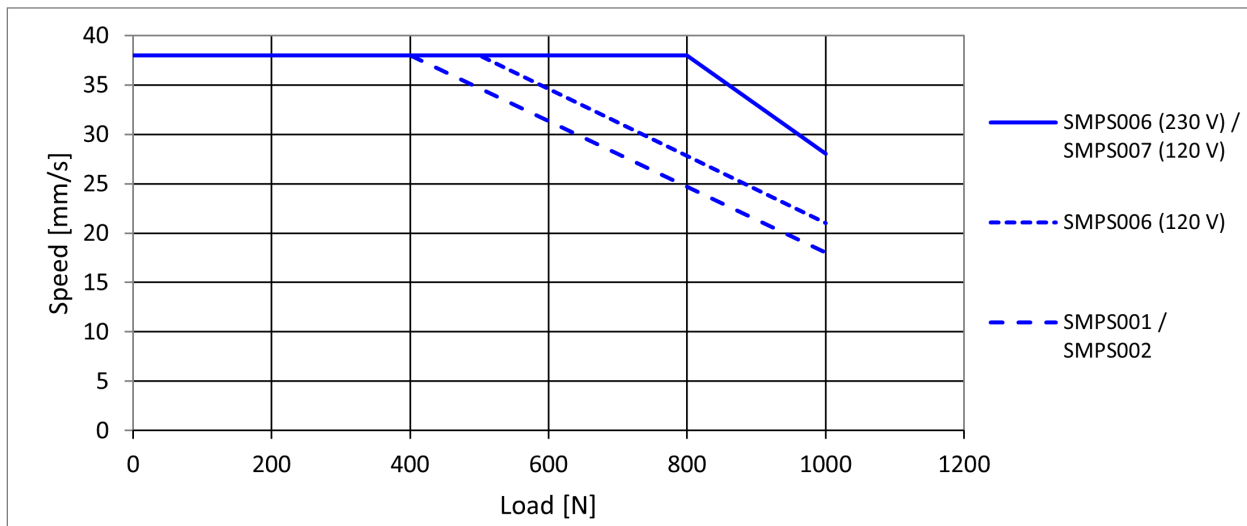


Figure 1 Typical curves for two 2-part IC columns (equally loaded) with SMPS001/002/006/007



The end-stop system in the IC column is based on a buffer system, meaning that you must be aware of the lengths when initialising. The products must be able to drive:

Inward direction: Installation dimension - tolerances - 5 mm

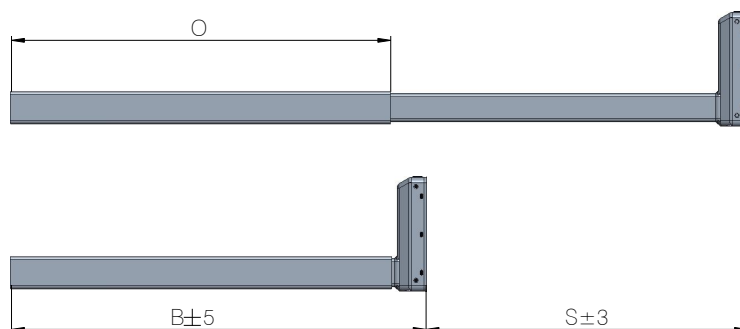
Outward direction: Installation dimension + stroke length + tolerances + 5 mm

Dimension drawings



All dimensions are in mm.

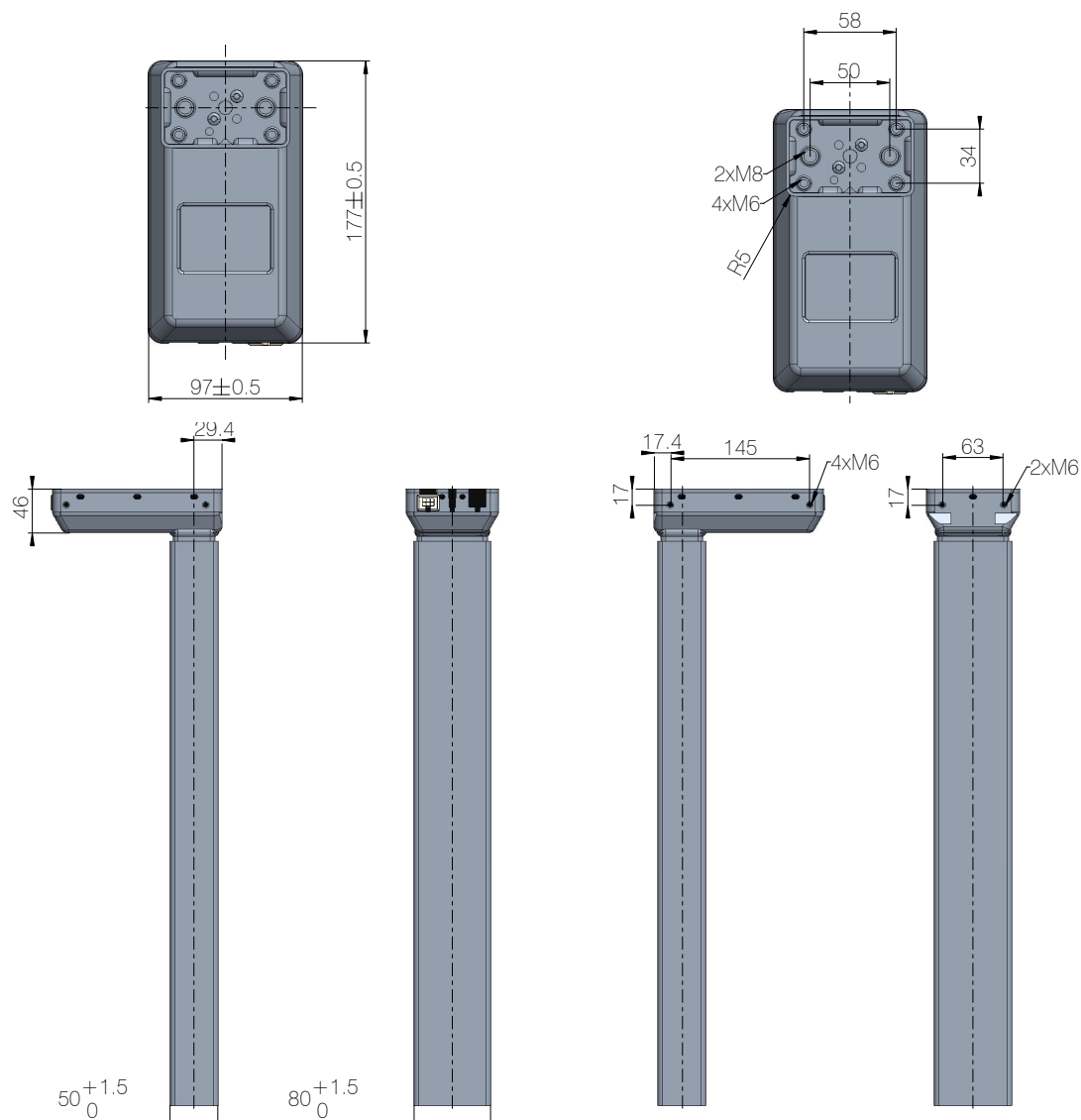
Columns



Drawing no. 1041W7909

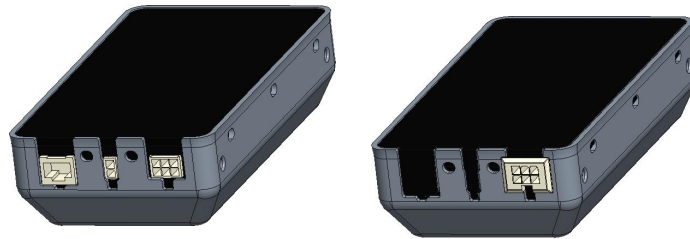
Version	Combination code	B (Built-in length)	S (Stroke length)	O (Outer profile length)
Standard	DL5xxxxx500645	645	500	590

Figure 2 Built-in length, stroke length, and outer profile length



Drawing no. 1041W7909

Figure 3 Motor-housing, bottom plate, and profile



IC Control

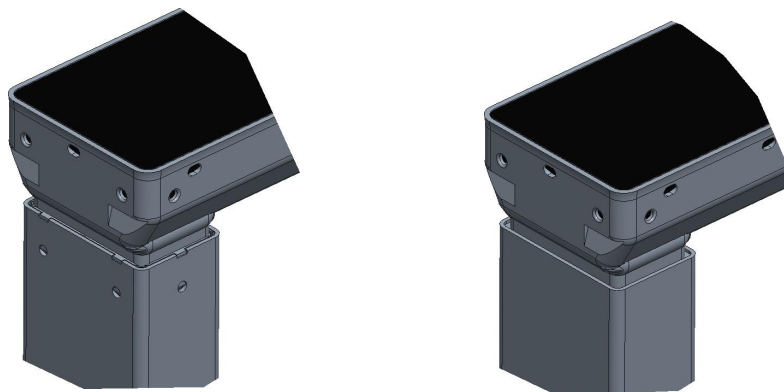
IC Companion

Drawing no. 1041W7909

Figure 4 Bench bracket (type L and R) dimensions (mm)

Combination code	Type
DL5xxxxxMxxxxxx	IC Control
DL5xxxxxSxxxxxx	IC Companion

Figure 5 Socket combination



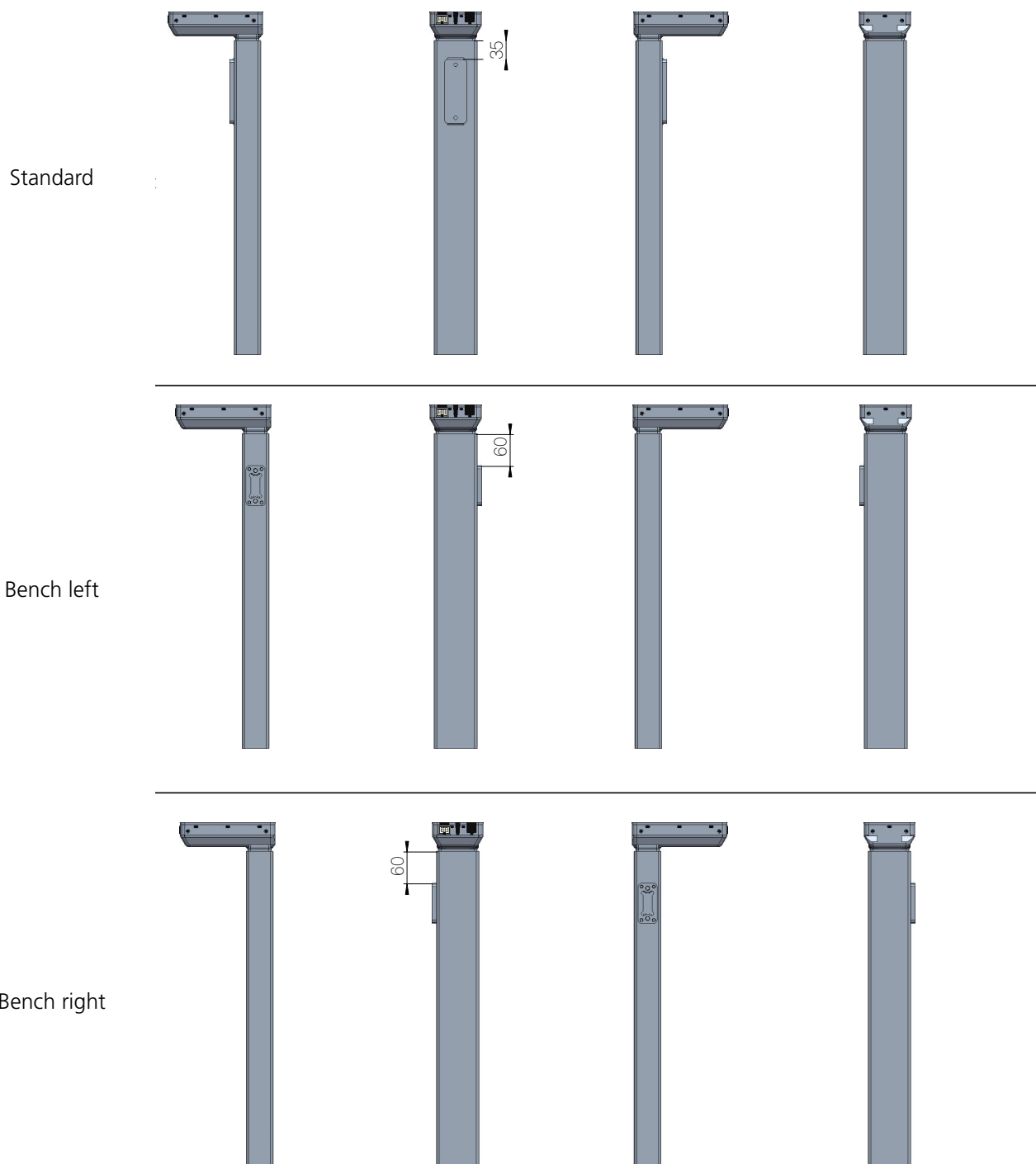
Standard

PLUS™

Drawing no. 1041W7909

Figure 6 Profile design

Bracket options

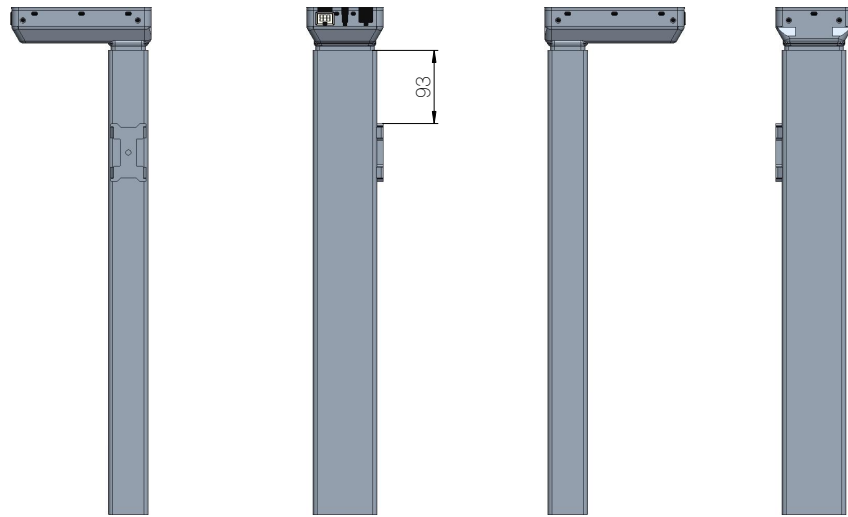


Drawing no. 1041W7909

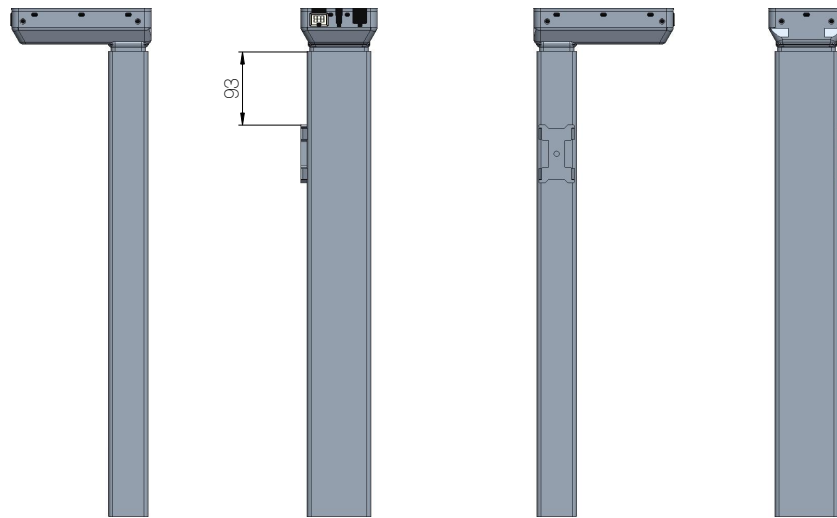
Combination code	Std bracket	Bench left	Bench right
DL5xx1xxxxxxxx	X		
DL5xxLxxSxxxxxx		X	
DL5xxRxxMxxxxxx			X

Figure 7 Bracket options (types L and R)

DESKLINE Bench left



DESKLINE Bench right



Drawing no. 1041W7909

Combination code	Bench left	Bench right
DL5xxVxxSxxxxxx	X	
DL5xxHxxMxxxxxx		X

Figure 8 DESKLINE Bench bracket options (types V and H)
(compatible with LINAK cross members)

Brackets

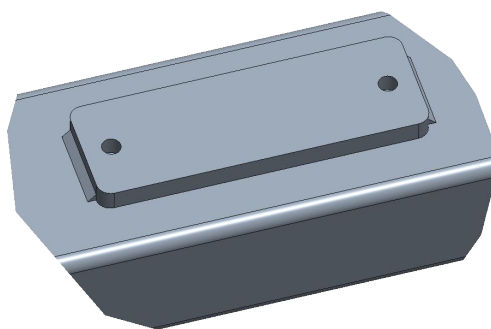


Figure 9 Standard bracket

Drawing no. 1041W7906

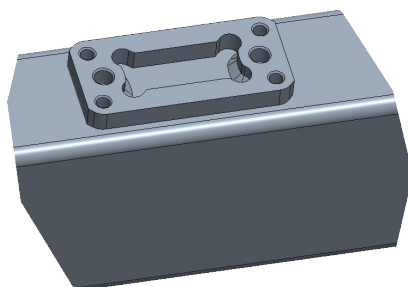


Figure 10 Bench bracket (type L and R)

Drawing no. 1041W7906

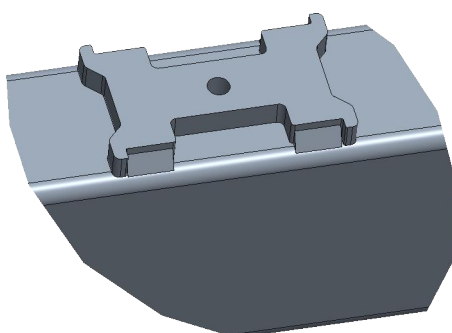
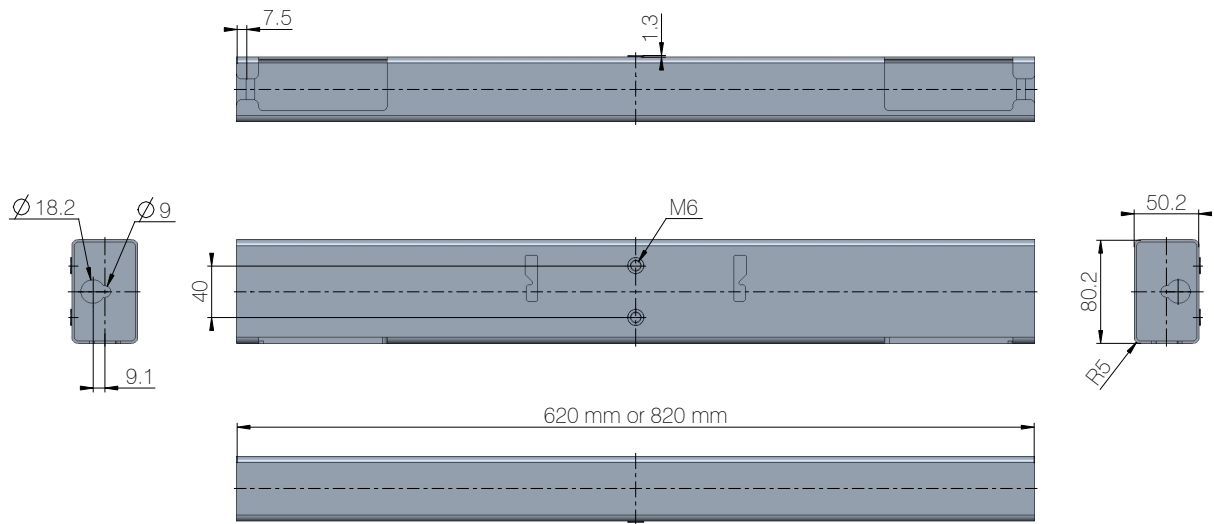


Figure 11 Bench bracket (type V and H) - compatible with LINAK cross members

Drawing no. 1041W7906

Cross members



Drawing no. 1066W4030

Figure 12 Cross member

Contacts

FACTORIES

Denmark - Headquarters

LINAK A/S

Phone: +45 73 15 15 15
Fax: +45 74 45 80 48
Fax (Sales): +45 73 15 16 13
Web: www.linak.com

China

LINAK (Shenzhen) Actuator Systems, Ltd.

Phone: +86 755 8610 6656
Phone: +86 755 8610 6990
Web: www.linak.cn

Slovakia

LINAK Slovakia s.r.o.

Phone: +421 51 7563 444
Web: www.linak.sk

Thailand

LINAK APAC Ltd.

Phone: +66 33 265 400
Web: www.linak.com

USA

LINAK U.S. Inc.

Americas Headquarters

Phone: +1 502 253 5595
Fax: +1 502 253 5596
Web: www.linak-us.com
www.linak-latinamerica.com

SUBSIDIARIES

Australia

LINAK Australia Pty. Ltd

Phone: +61 3 8796 9777
Fax: +61 3 8796 9778
E-mail: sales@linak.com.au
Web: www.linak.com.au

Austria

LINAK Zweigniederlassung - Österreich (Wien)

Phone: +43 (1) 890 7446
Fax: +43 (1) 890 744615
E-mail: info@linak.de
Web: www.linak.at - www.linak.hu

Belgium

LINAK Actuator-Systems NV/SA

(Belgium & Luxembourg)
Phone: +32 (0)9 230 01 09
E-mail: beinfo@linak.be
Web: www.linak.be - www.fr.linak.be

Brazil

LINAK Do Brasil Comércio De Atuadores Ltda.

Phone: +55 (11) 2832 7070
Fax: +55 (11) 2832 7060
E-mail: info@linak.com.br
Web: www.linak.com.br

Canada

LINAK Canada Inc.

Phone: +1 502 253 5595
Fax: +1 416 255 7720
E-mail: info@linak.ca
Web: www.linak-us.com

Czech Republic

LINAK C&S s.r.o.

Phone: +42 058 174 1814
Fax: +42 058 170 2452
E-mail: info@linak.cz
Web: www.linak.cz - www.linak.sk

Denmark - International

LINAK International

Phone: +45 73 15 15 15
E-mail: info@linak.com
Web: www.linak.com

Denmark - Sales

LINAK Danmark A/S

Phone: +45 86 80 36 11
Fax: +45 86 82 90 51
E-mail: linak@linak-silkeborg.dk
Web: www.linak.dk

Finland

LINAK OY

Phone: +358 10 841 8700
E-mail: linak@linak.fi
Web: www.linak.fi

France

LINAK France E.U.R.L

Phone: +33 (0) 2 41 36 34 34
Fax: +33 (0) 2 41 36 35 00
E-mail: linak@linak.fr
Web: www.linak.fr

Germany

LINAK GmbH

Phone: +49 6043 9655 0
Fax: +49 6043 9655 60
E-mail: info@linak.de
Web: www.linak.de

India

LINAK A/S India Liaison Office

Phone: +91 120 4531797
Fax: +91 120 4786428
E-mail: info@linak.in
Web: www.linak.in

Italy

LINAK ITALIA S.r.l.

Phone: +39 02 48 46 33 66
Fax: +39 02 48 46 82 52
E-mail: info@linak.it
Web: www.linak.it

Japan

LINAK K.K.

Phone: 81-45-533-0802
Fax: 81-45-533-0803
E-mail: linak@linak.jp
Web: www.linak.jp

Malaysia

LINAK Actuators Sdn. Bhd.

Phone: +60 4 210 6500
Fax: +60 4 226 8901
E-mail: info@linak-asia.com
Web: www.linak.my

Netherlands

LINAK Actuator-Systems B.V.

Phone: +31 76 5 42 44 40 /
+31 76 200 11 10
E-mail: info@linak.nl
Web: www.linak.nl

New Zealand

LINAK New Zealand Ltd

Phone: +64 9580 2071
Fax: +64 9580 2072
E-mail: nzsales@linak.com.au
Web: www.linak.com.au

Norway

LINAK Norge AS

Phone: +47 32 82 90 90
E-mail: info@linak.no
Web: www.linak.no

Poland

LINAK Polska

LINAK Danmark A/S (Spółka Akcyjna)
Phone: +48 22 295 09 70 /
+48 22 295 09 71
E-mail: info@linak.pl
Web: www.linak.pl

Republic of Korea

LINAK Korea Ltd.

Phone: +82 2 6231 1515
Fax: +82 2 6231 1516
E-mail: info@linak.kr
Web: www.linak.kr

Slovakia

LINAK Slovakia S.R.O.

Phone: +421 51 7563 444
Web: www.linak.sk

Spain

LINAK Actuadores, S.L.U

Phone: +34 93 588 27 77
Fax: +34 93 588 27 85
E-mail: esma@linak.es
Web: www.linak.es

Sweden

LINAK Scandinavia AB

Phone: +46 8 732 20 00
Fax: +46 8 732 20 50
E-mail: info@linak.se
Web: www.linak.se

Switzerland

LINAK AG

Phone: +41 43 388 31 88
Fax: +41 43 388 31 87
E-mail: info@linak.ch
Web: www.linak.ch - www.fr.linak.ch
www.it.linak.ch

Taiwan

LINAK (Shenzhen) Actuator systems Ltd.

Taiwan Representative office
Phone: +886 2 272 90068
Fax: +886 2 272 90096
E-mail: sales@linak.com.tw
Web: www.linak.com.tw

Turkey

LINAK İth. İhr. San. ve Tic. A.Ş.

Phone: +90 312 4726338
Fax: +90 312 4726635
E-mail: info@linak.com.tr
Web: www.linak.com.tr

United Kingdom & Ireland

LINAK UK Limited

Phone: +44 (0)121 544 2211
Fax: +44 (0)121 544 2552
E-mail: sales@linak.co.uk
Web: www.linak.co.uk

DISTRIBUTORS

Argentina

Novotec Argentina SRL

Phone: 011-4303-8989 / 8900
Fax: 011-4032-0184
E-mail: info@novotecargentina.com
Web: www.novotecargentina.com

Colombia

MEM Ltda

Phone: +[57] (1) 334-7666
Fax: +[57] (1) 282-1684
E-mail: servicioalcliente@memltda.com.co
Web: www.mem.net.co

India

Mechatronics Control Equipments India Pvt Ltd

Phone: +91-44-28558484, 85
E-mail: bala@mechatronicscontrol.com
Web: www.mechatronicscontrol.com

Indonesia

PT. Himalaya Everest Jaya

Phone: +6 221 544 8956 /+6 221 544 8965
Fax: +6 221 619 1925
Fax (Sales): +6 221 619 4658
E-mail: hejplastic-div@centrin.net.id
Web: www.hej.co.id

Israel

NetivTech LTD

Phone: +972 55-2266-535
Fax: +972 2-9900-560
Email: info@NetivTech.com
Web: www.netivtech.com

Singapore

Servo Dynamics Pte Ltd

Phone: +65 6844 0288
Fax: +65 6844 0070
E-mail: servodynamics@servo.com.sg

South Africa

Industrial Specialised Applications CC

Phone: +27 011 466 0346
E-mail: gartht@isagroup.co.za
Web: www.isaza.co.za

United Arab Emirates

Mechatronics

Phone: +971 4 267 4311
Fax: +971 4 267 4312
E-mail: mechtron@emirates.net.ae

Terms of use

LINAK® takes great care in providing accurate and up-to-date information on its products. However, the user is responsible for determining the suitability of LINAK products for a specific application. Due to continual development, LINAK products are subject to frequent modifications and changes. LINAK reserves the rights to conduct modifications, updates, and changes without any prior notice. For the same reason, LINAK cannot guarantee the correctness and actual status of imprinted information on its products.

LINAK uses its best efforts to fulfil orders. However, for the reasons mentioned above, LINAK cannot guarantee availability of any particular product at any given time. LINAK reserves the right to discontinue the sale of any product displayed on its website or listed in its catalogues or in other written material created and produced by LINAK, LINAK subsidiaries, or LINAK affiliates. All sales are subject to the 'Standard Terms of Sale and Delivery for LINAK A/S' available on LINAK websites. LINAK and the LINAK logotype are registered trademarks of LINAK A/S. All rights reserved.