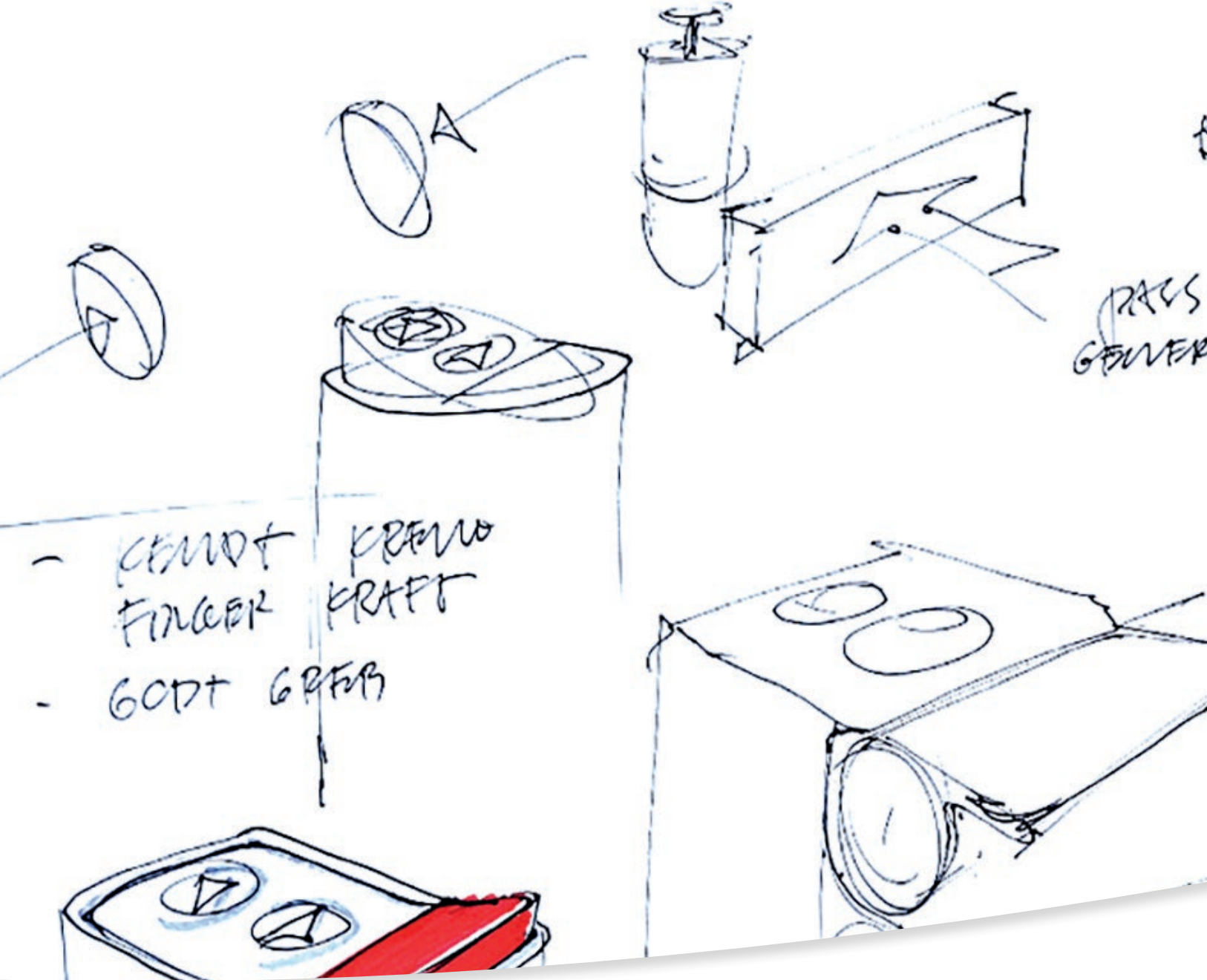


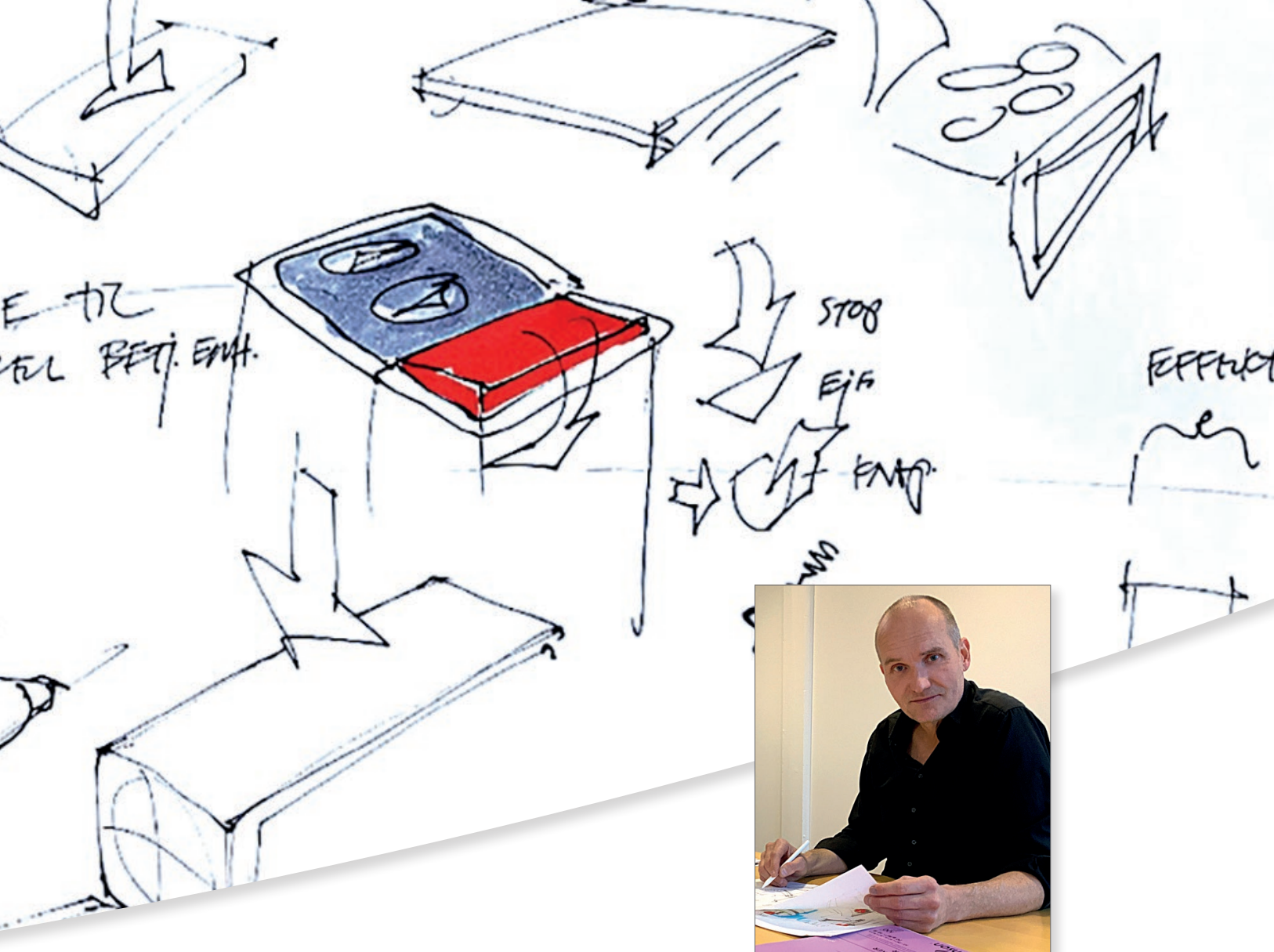
Your next LIFT™ solution

Great design is nothing without LINAK®



For us, design means nothing without the human touch

As a Danish company, we have an eye for good design. But design is more than good looks. It's about helping you make products that are easy to clean, effortless to read and straightforward to interact with. We asked award-winning designer, Steffen Schmelling, about the design thinking behind the new LINAK® lift solution.



Stands out by fitting in

LINAK® are aware that the form and aesthetics of their products must work together with their customers' ultimate lift designs. This means that we prioritise adaptability and make our designs friendly with a character that fits in: We do not put logos everywhere, we keep our lines clean and colours neutral, so our fellow designers can easily incorporate our products into their lift concepts.

We judge with our eyes

In addition to being dependable and efficient, we design our products to be easy on the eye. We know from experience that in stressed healthcare environments, anything that brings order to chaos by delivering a sense of calm and simplicity can help reduce stress. Clean, attractive design also reassures patients, as it signals the hospital or care homes commitment to modern, healthy and streamlined care.

Design adds value

Good industrial design starts with the end user. As designers, we have a responsibility to create devices which are immediately understandable and easy to use. For the LIFT50™ series, LINAK asked users what was most important to them – a modern design with easy functionality and an emergency stop that was obvious but hard to hit by accident. We focused on making these features simple and intuitive.

See it, find it, trust it

Design is a kind of language, it explains function through form, colour and dynamics. By creating an exaggerated red button at the top of the unit, we simplified the appearance and prioritised what was most important. Other key functions were also taken into consideration, such as the easy-to-read status lights which we made visible to the users without them having to bend down.



Simplicity is nothing without functionality

At LINAK®, we appreciate the simple things in life. And this is reflected in our LIFT™ solution: ergonomically designed with carers in mind, with streamlined appearance and practical, easy-to-use interfaces that simply make lives less complicated.





Many pairs of hands holding the ladder

Safety means nothing without protection


At LINAK®, safety always comes first. And second. For us it has become a way of life and your user and patients hygiene are our highest priorities.

Stay ahead of the curve with IPX6

COVID-19 has revealed the weaknesses of a stressed healthcare system. Maintaining hygiene is crucial in reducing the risk of infection. Hospitals and care homes are looking for solutions that can help them now and in the future. IPX6 and smart design can help them stay ahead of the curve.

Be prepared

To help your customers in our common fight against multi-resistant bacteria, you can now design patient lifts that are made to be washed: easy-to-clean surfaces, smooth clean lines and IPX6 water protection are designed to help keep bacteria at bay.

A man with grey hair and glasses, wearing a light blue button-down shirt and dark trousers, stands smiling in front of a white garage door. A silver car is partially visible on the left. The background shows a house with horizontal siding and a blue sky.

Speed is nothing without control

At LINAK®, we like to help getting things done. Fast. We know how busy you are. That is why we have incorporated a turbo-boost function to make workflows swifter without compromising safety.



Connectivity means nothing without collaboration

At LINAK®, it is in our nature to make connections, so that you can take advantage of tomorrow's communication opportunities. With optional wireless control and Bluetooth® for upcoming capabilities like data exchange and service, you are ready for the next step on your digital journey.

In the near future, you will be able to view information remotely via your smartphone or tablet using the upcoming LINAK® app* and get onsite instant programming for special solutions with the SoftCon2 OpenBus™ protocol.



**Lift 50™ version*



It all comes together in a single value-adding solution

Exceptional new design

- Easier to change
- LED visibility, easy-to-read battery status
- Easy-to-reach emergency stop

Next-generation battery technology

- Extended lifetime - 5 times longer than a lead-acid battery
- Better ROI thanks to extended lifetime of Li-Ion battery

Turbo boost

- Extra speed operation – 30% faster
- Faster positioning and storing give carers more quality time with patient

Future-proof features

- Ready for wireless control
- Prepared for future Bluetooth® data exchange
- IPX6 anticipates tomorrow's standards
- App for remote monitoring of usage information*

Less is more*

- 40% smaller than existing solutions and general industry size
- 50% lighter than lead-acid control box units

*Lift 50™ version

A LINAK® LIFT™ solution adds value to your application

- Built for agility, giving you the flexibility to rapidly adapt to market changes
- Gives you brand differentiation in an increasingly competitive market
- Comes from a globally trusted supplier with in-depth healthcare experience

LIFT50™

- New compact and modern design
- Li-Ion battery
- Bluetooth® Low Energy
- Effective cable management
- IPX6
- Speed boost
- Low weight
- 3 channels integrated
- Possibility of 5 channels



CHL50



BAL50



COL50

A LINAK® LIFT™ solution adds value to your application

Stay ahead of the curve

In a fast-changing world, you have to keep moving to stay ahead. As the first and largest provider of actuator systems, LINAK® has decades of experience and expertise in doing just that: keeping moving. Our value-adding solutions prepare our customers for tomorrow's challenges with flexible innovative systems that keep you relevant and ahead of the curve in efficiency, reliability and end-user experience. Keep moving with LINAK®.

LIFT40+™

- New and improved design
- Lead-acid battery
- Bluetooth® Low Energy
- Effective cable management
- IPX6
- 3 channels integrated
- Possibility of 5 channels



CHL40



CH01



BAL40



COL40

The Bluetooth® word mark and logos are registered trademarks owned by Bluetooth SIG Inc. and any use of such marks and logos by LINAK® is under license.

LINAK® accepts no responsibility for possible errors or inaccuracies in catalogues, brochures, and other material. LINAK reserves the right to change its products without prior notice. LINAK cannot guarantee product availability and reserves the right to discontinue the sale of any product. User is responsible for determining the suitability of LINAK products for a specific application. All sales are subject to the 'Standard Terms of Sale and Delivery', available on LINAK websites.

LINAK and the LINAK logotype are registered trademarks of LINAK A/S. All rights reserved.



Built by market leading experts, using state-of-the-art technologies and perfected production methods, you can expect the same quality worldwide.



Innovation is in our core. We take the lead and have the courage to make it real.



We are responsible in what we do – towards customers, employees and the environment. Creating trust is a natural part of who we are.



From global presence to local understanding. We believe in world-wide support and being close to our customers.
