



Baselift™

Electric height adjustment of kitchens and counters

Baselift™
Ergonomics meets Innovation



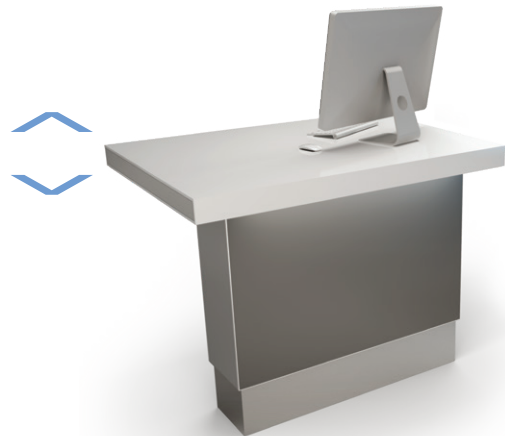
World-class innovation requires the right equipment, right down to the baseline

The market trend within the kitchen and retail business is centred around end users focusing more and more on Ergonomics and Comfort – both at work and in their home lives. This trend has led to a demand for height adjustable solutions that does not compromise the aesthetic design.

LINAK® sees kitchens and retail counters as workstations similar to office desks, where adjustment for the individual is a must. The combination of the market trend, our knowledge, expertise and enthusiasm for height adjustable solutions has led to development of the innovative world-class solution Baselift™ system.

The clever move

Stay ahead of the crowd and let Baselift set your kitchen and counters apart for the competition. The Baselift system is very compact. It can be built into the base without interfering with the size of the cabinets. It is also very easy to integrate.



LINAK offers service
worldwide

Please contact your local LINAK office with
your enquiry.

Visit LINAK.COM/WORLDWIDE





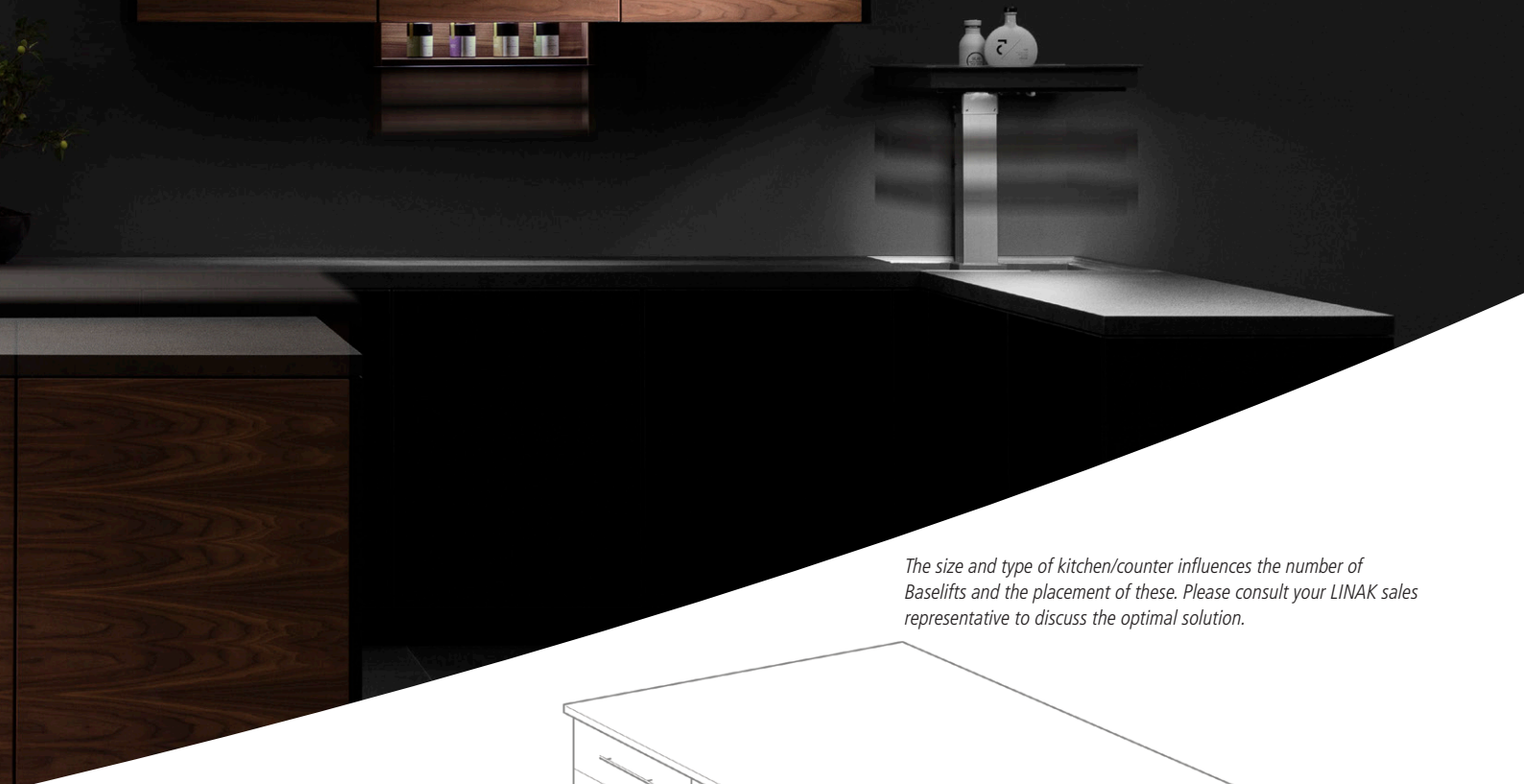
A solid start can make all the difference

Like any foundation, a solid start can make all the difference. The well-constructed Baselift™ system is multi-parallel and can run with up to 16 units. For optimal stability of your height adjustable kitchen or counter, it is important that you consider the number of Baselifts and the placement of these.

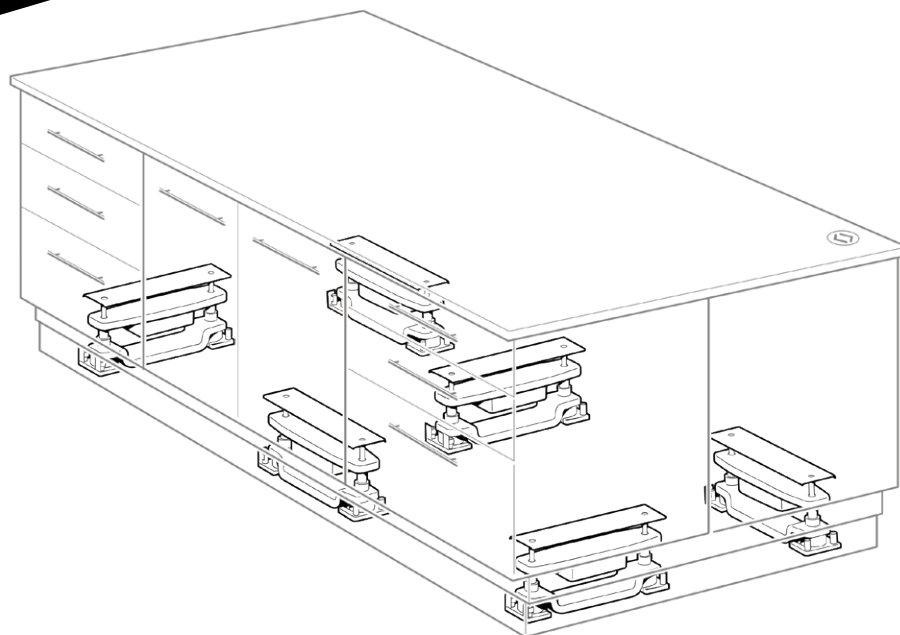
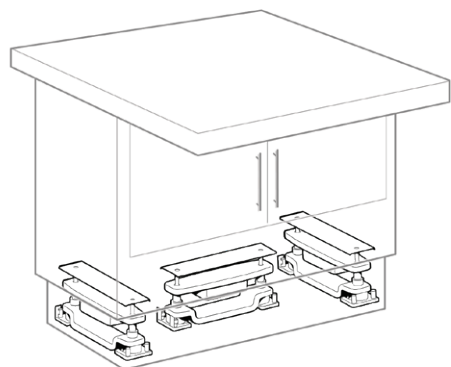
One-person installation

The Baselift is a lifting unit within the LINAK® DESKLINE® product range, where all components work together.

The system is easy to mount and can be handled by one service technician only.



The size and type of kitchen/counter influences the number of Baselifts and the placement of these. Please consult your LINAK sales representative to discuss the optimal solution.



True systems where everything fits
– it is simply **Plug & Play™**.



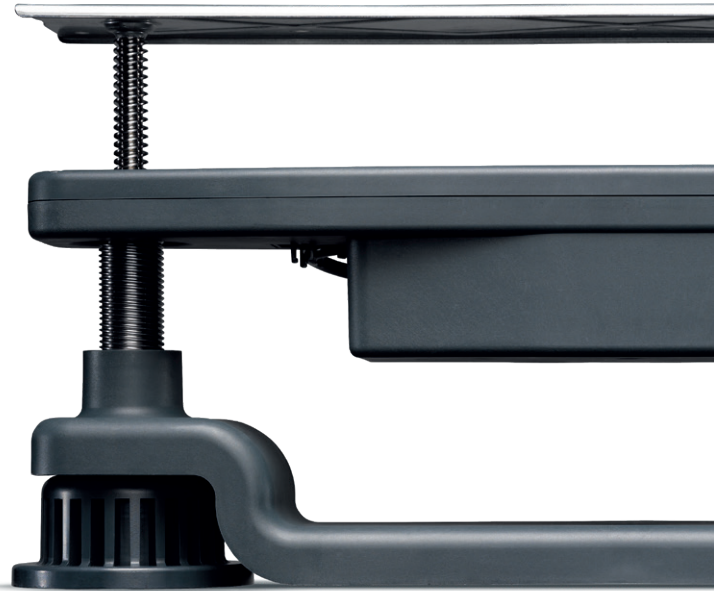
Scan the QR code and view a short video
about mounting the Baselift system.

Be 100 mm ahead of the crowd

Baselift™ is a compact lifting unit with a built-in dimension of only 100 mm. The adjustment range is also 100 mm, which is enough to fit most users.

Baselift

- Thrust 1500 N
- Speed 14 mm/s
- Built-in 100 mm
- Stroke 100 mm



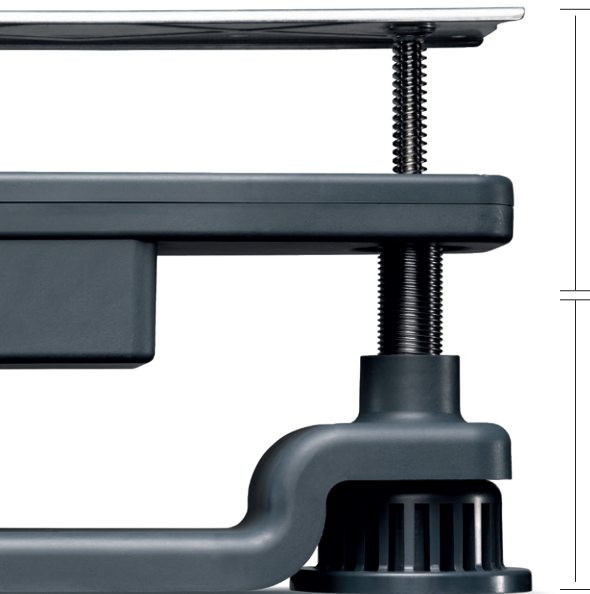
Control box CBD6S

- Compact, lightweight
- ZERO™ standby power consumption
- PVC-Free™ as standard
- Intuitive cable management
- High performance, low pleasant sound and constant speed of the system



Desk Panel DPH

- Small, compact panel
- Up-down function
- For integration in tabletops
- Available in black or white
- Can be customised



100 mm stroke length

100 mm built-in dimension



Learn more about the Baselift system:
LINAK.COM/BASELIFT



Desk Panel DPT

- For integration in tabletops
- Touch technique
- Display for height read-out
- Memory buttons
- Available in black or white



Baselift accessories

Choose mounting brackets for simple fixing of the Baselift and clips for easy fixing of the base front.



For further information about the DESKLINE® product programme:
[LINAK.COM/DESKLINE](https://www.linak.com/DESKLINE)

LINAK® accepts no responsibility for possible errors or inaccuracies in catalogues, brochures, and other material. LINAK reserves the right to change its products without prior notice. LINAK cannot guarantee product availability and reserves the right to discontinue the sale of any product. User is responsible for determining the suitability of LINAK products for a specific application. All sales are subject to the 'Standard Terms of Sale and Delivery', available on LINAK websites.

LINAK and the LINAK logotype are registered trademarks of LINAK A/S. All rights reserved.



QUALITY

Built by market leading experts, using state-of-the-art technologies and perfected production methods, you can expect the same quality worldwide.



INNOVATION

Innovation is in our core. We take the lead and have the courage to make it real.



RESPONSIBILITY

We are responsible in what we do – towards customers, employees and the environment. Creating trust is a natural part of who we are.



**LOCAL
& GLOBAL**

From global presence to local understanding. We believe in world-wide support and being close to our customers.